

# **Dell PowerConnect W-3000 Series Controllers Installation Guide**



## **Copyright**

© 2010 Aruba Networks, Inc. AirWave®, Aruba Networks®, Aruba Mobility Management System®, and other registered marks are trademarks of Aruba Networks, Inc. Dell™, the DELL™ logo, and PowerConnect™ are trademarks of Dell Inc.

All rights reserved. Specifications in this manual are subject to change without notice.

Originated in the USA. Any other trademarks appearing in this manual are the property of their respective companies.

## **Open Source Code**

Certain Aruba products include Open Source software code developed by third parties, including software code subject to the GNU General Public License (GPL), GNU Lesser General Public License (LGPL), or other Open Source Licenses. The Open Source code used can be found at this site:

[http://www.arubanetworks.com/open\\_source](http://www.arubanetworks.com/open_source)

## **Legal Notice**

The use of Aruba Networks, Inc. switching platforms and software, by all individuals or corporations, to terminate other vendors' VPN client devices constitutes complete acceptance of liability by that individual or corporation for this action and indemnifies, in full, Aruba Networks, Inc. from any and all legal actions that might be taken against it with respect to infringement of copyright on behalf of those vendors.

About This Guide .....	5
Guide Overview.....	5
Related Documents .....	5
Contacting Dell.....	5
Chapter 1      About the PowerConnect W-3000 Series Controllers .....	7
Minimum Software Requirements.....	7
Package Checklist.....	7
Model Overview.....	8
1000Base-X (SFP) Ports.....	8
10/100/1000Base-T Gigabit Ethernet Ports .....	9
Serial Console Port.....	9
Serial Console Port Adaptor .....	9
AC Power Socket.....	10
LED Status Indicators .....	10
Chapter 2      Installing the W-3000 Series Controllers .....	13
For a Telecom Rack:.....	13
For a Server Rack: .....	13
Installation in a Telecom Rack .....	13
Installation in a Server Rack.....	14
Tabletop Deployment.....	15
Initial Setup and Network Connectivity .....	15
Removal.....	15
Appendix A    Specifications, Safety & Compliance .....	17
Physical Specifications .....	17
Power Management Specifications.....	17
Power Consumption.....	17
Power Specifications (AC Input Requirements) .....	17
Operating Specifications.....	17
Storage Specifications .....	18
Safety and Regulatory Compliance .....	18
FCC Class A Device .....	18
Proper Disposal of Dell Equipment.....	18
European Union RoHS .....	18



This preface includes the following information:

- “Guide Overview” on page 5
- “Related Documents” on page 5
- “Contacting Dell” on page 5

## Guide Overview

- Chapter 1, “About the PowerConnect W-3000 Series Controllers” on page 7 provides a detailed hardware overview of the three controllers within the W-3000 Series Controllers: the W-3200, the W-3400, and the W-3600.
- Chapter 2, “Installing the W-3000 Series Controllers” on page 13 provides rack mounting and installation instructions.
- Appendix A, “Specifications, Safety & Compliance” on page 17 includes product technical specifications and safety and regulatory compliance information.

## Related Documents

The following documents are referred to in this guide and are considered components of the complete documentation set needed for successful installation and management of a Dell Controller:

- *Dell PowerConnect ArubaOS Quick Start Guide*
- *Dell PowerConnect ArubaOS User Guide*
- *Dell PowerConnect ArubaOS 5.0 Command Line Reference*

## Contacting Dell

Web Site Support	
Main Site	<a href="http://www.dell.com">www.dell.com</a>
Support Site	<a href="http://support.dell.com">support.dell.com</a>
Dell Documentation	<a href="http://support.dell.com/manuals">support.dell.com/manuals</a>



The PowerConnect W-3000 Series Controllers consists of three enterprise-class, wireless LAN controllers. These controllers connect, control, and intelligently integrate wireless Access Points (APs) and Air Monitors (AMs) into a wired LAN system.

The PowerConnect W-3000 Series Controllers consists of the following models:

- W-3200 Multi-Service Controller  
The W-3200 is capable of supporting up to 32 campus connected APs..
- W-3400 Multi-Service Controller  
The W-3400 is capable of supporting up to 64 campus connected APs.
- W-3600 Multi-Service Controller  
The W-3600 is capable of supporting up to 128 campus connected APs.



---

**Note:** Feature related AP licenses are counted independently and in addition to the AP upgrade licenses. Contact your Dell representative for complete details regarding software licensing options and support capacity.

---

## Minimum Software Requirements

The W-3000 Series Controllers require ArubaOS 5.0.2 or later.



---

**Note:** The master controller, its redundant master controller, and all of its local controllers must run on the same ArubaOS version. Once you upgrade your network and install the W-3000 Series Controllers into your network, verify that the software version on your controller matches the rest of the network. If the version shipped on the controller is prior to the version that you upgraded your network to, you must upgrade the code on the controller to match the rest of the network.

---

## Package Checklist

- W-3000 Series Controllers
- AC Power Cord (country-specific)
- Rack Mount Brackets with Hardware (for rack mounting)
- Flat Serial Cable (RJ-45)
- Rubber Feet (for table top deployments)
- Serial Console Port Adaptor (RJ-45 to DB9)
- *Dell PowerConnect ArubaOS Quick Start Guide*
- *End User License Agreement (EULA)*
- *Safety, Environmental, and Regulatory Information (SERI)* document
- *Warranty and Support Information (WSI)* document



---

**Note:** Inform your supplier if there are any incorrect, missing, or damaged parts. If possible, retain the carton, including the original packing materials. Use these materials to repack and return the unit to the supplier if needed.

---



---

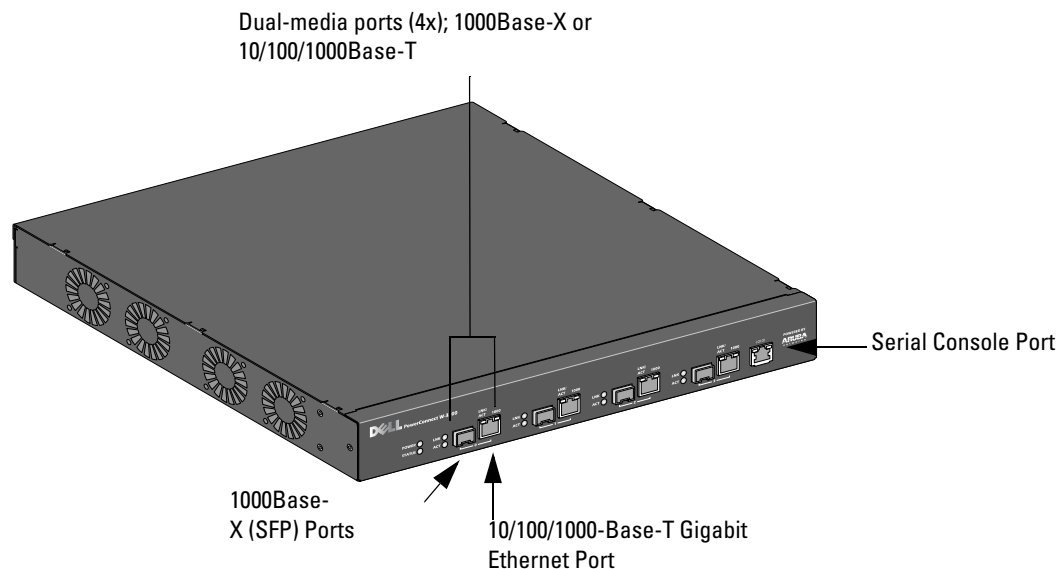
**Note:** Optional accessories, such as SFP modules, are available for use with the W-3000 Series Controllers and are sold separately. Contact your Dell representative for details and assistance.

---

## Model Overview

The physical hardware model overview of the W-3000 Series Controllers covers all three models within the series. The difference between the three controller models is dependent on the licensing level purchased. The controller model depicted in the illustrations throughout this chapter is the W-3200.

**Figure 1** W-3200 Front View



---

**Note:** Ports zero through three are dual-media ports and can utilize either the 1000Base-X or 10/100/1000Base-T connections provided. However, the 1000Base-X fiber connection has priority over the 10/100/1000Base-T copper connection. If a link is detected for the 1000Base-X interface, the 10/100/1000Base-T connection will be disabled.

---

### 1000Base-X (SFP) Ports

There are four 1000Base-X combination ports for fiber connectivity only and are intended for use with Dell SFPs (mini-GBICs).

To purchase compatible SFP modules, contact your Dell representative for details and assistance.



---

**Note:** Dell tests and supports Dell optics within their controller systems. Third party optics are not tested or supported; therefore, Dell does not guarantee proper functionality of third party optics.

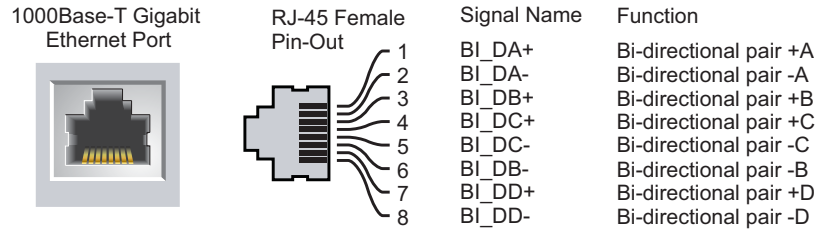
---



## 10/100/1000Base-T Gigabit Ethernet Ports

There are four 10/100/1000Base-T Gigabit Ethernet (RJ-45) ports. Gigabit Ethernet uses all eight wires and each pair is used in a bi-directional fashion, meaning the same pairs are used for both data transmission and reception. [Figure 2](#) illustrates the CAT-5 pin-out found on an RJ-45 connector. The CAT-5 pin-out pairs the following pins on a 10/100/1000Base-T Gigabit Ethernet port: 1/2, 3/6, 4/5, and 7/8.

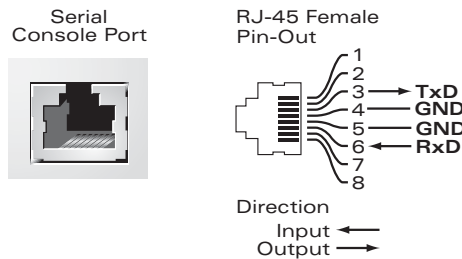
**Figure 2** Gigabit Ethernet Port Pin-Out



## Serial Console Port

A serial console port is provided for connection to a terminal, allowing for direct local management. The port's RJ-45 female connector accepts an RS-232 serial cable with a male connector.

**Figure 3** Serial Console Port Pin-Out



Communication settings for the serial console port are indicated in [Table 1](#).

**Table 1** Console Terminal Settings

Baud Rate	Data Bits	Parity	Stop Bits	Flow Control
9600	8	None	1	None



**Caution:** Do not connect an Access Point (AP) to the serial console port. The serial console port is compatible with only RS-232 devices. Non-RS-232 devices, such as APs, are not supported.

## Serial Console Port Adaptor

A modular adaptor can be used to convert the RJ-45 (female) connector to a DB9 (male) connector. Refer to [Figure 4](#) for complete details.

**Figure 4** RJ-45 (female) to DB9 (male) Modular Adaptor Conversion

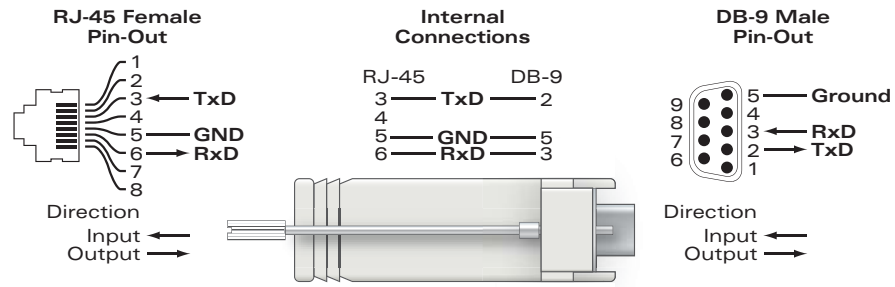
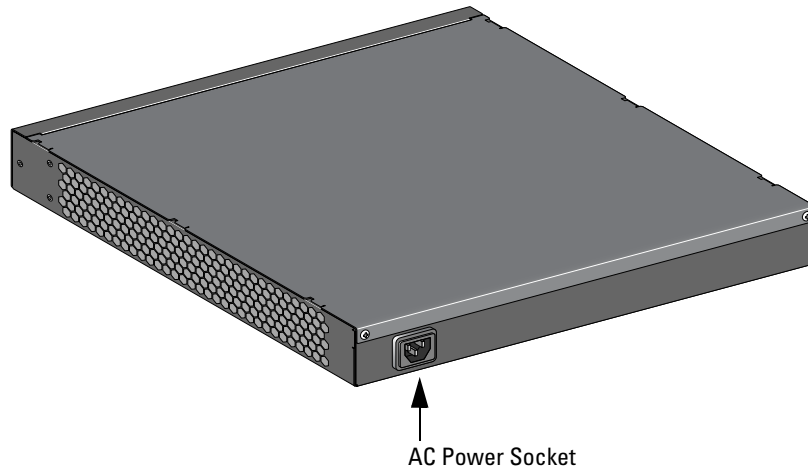


Figure 5 represents the W-3200 rear view.

**Figure 5** W-3200 Rear View



### AC Power Socket

The W-3000 Series Controllers supports integrated AC powering and the AC power socket on the rear of the unit is for use with an AC power cord (country-specific). Refer to “[Power Management Specifications](#)” on page 17 for power specification details.

### LED Status Indicators

**Table 2** W-3000 Series Controllers LED Status Indicators

LED	Function	Indicator	Status
POWER	Input Power Status Indicator	On (Solid Green)	Power on
		Off	No power
STATUS	Module Status Indicator	On (Solid Green)	Device is operational
		On (Solid Red)	Device failed
		On (Solid Amber)	Device is loading software
		Off	No power
LNK 1000Base-X Ports	Link Status Indicator	On (Solid Green)	Link has been established
		Off	No link on port

**Table 2** *W-3000 Series Controllers LED Status Indicators*

<b>LED</b>	<b>Function</b>	<b>Indicator</b>	<b>Status</b>
ACT 1000Base-X ports	Activity Status Indicator	On (Blinking Green)	Port is transmitting or receiving data
		Off	No activity
LNK/ACT 10/100/1000Base-T Ports	Link/Activity Status Indicator	On (Solid Green)	Link has been established
		On (Blinking Green)	Port is transmitting or receiving data
		Off	No link on port
1000 10/100/1000Base-T Ports	Interface Speed Indicator	On (Solid Green)	1000 Mbps interface speed in use
		Off	10/100 Mbps interface speed in use



The following tools and equipment are required for installing the Dell PowerConnect W-3000 Series Controllers:

- Rack Mount Bracket (x2, not used for tabletop installation)
- Suitable Screwdrivers
- AC Power Cord (country-specific)



---

**Warning:** Before performing the following procedure, review the safety instructions that came with the controller.

---

### For a Telecom Rack:

- 6-32 x 1/4" Phillips Head Screws (6x, included)
- 12-24 x 5/8" Phillips Head Screws (4x, included)

### For a Server Rack:

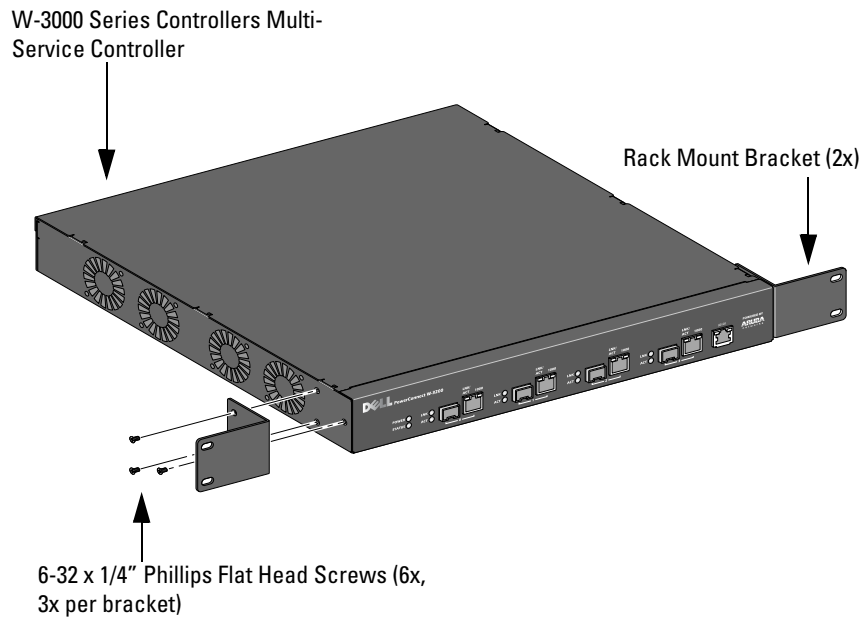
- 6-32 x 1/4" Phillips Head Screws (6x, included)
- M6 x 20mm Phillips Head Screws (4x, included)
- M6 Cage Nuts (4x, included) or M6 Cage Clips (4x, included)

## Installation in a Telecom Rack

To install the W-3000 Series Controllers into a 19-inch (48.26 cm) rack system:

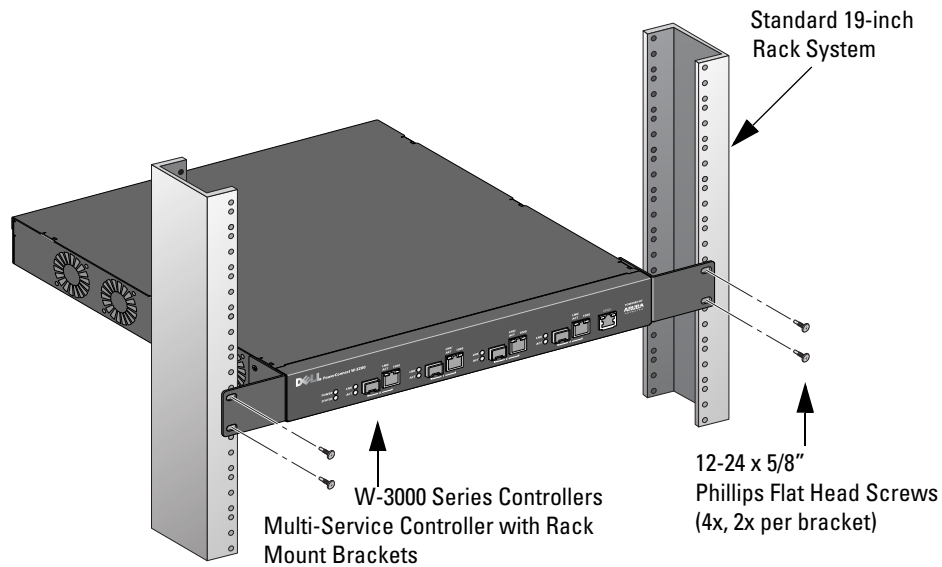
1. Place a rack mount bracket over the mounting holes on one side of the controller (see [Figure 1](#)).
2. Secure the bracket to the controller using three 6-32 x 1/4" phillips flat head screws and a suitable screwdriver.
3. Repeat these steps on the opposite side of the controller.

**Figure 1** Rack Mount Brackets



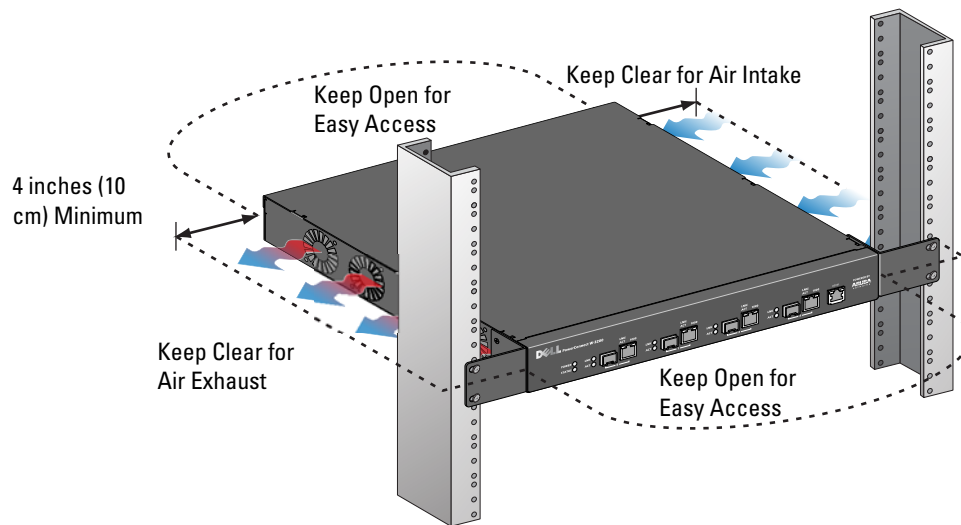
4. Mount the controller within your organization's rack system using four 12-24 x 5/8" phillips flat head screws and a suitable screwdriver (see [Figure 2](#)).

**Figure 2** Rack Mount Installation



5. Leave a minimum of four inches (10 cm) of space on the left and right side of the unit for proper air flow and ventilation (see [Figure 3](#)).
6. Leave additional space in the front and back of the unit to access power cords, network cables, and LED status indicators (see [Figure 3](#)).

**Figure 3** Air Flow Requirements



7. Connect the AC power cord (country-specific) to the rear of the unit.
8. Plug the opposite end of the power cord into an electrical outlet to power on the controller.

## Installation in a Server Rack

To install a W-3000 Series Controllers controller into a 19-inch (48.26 cm) Server rack system:



**Note:** The following instructions describe the installation of your controller in a rack with unthreaded, square holes. For a rack with unthreaded, round holes, use the provided clip nuts instead.

1. Place a rack mount bracket over the mounting holes on one side of the controller (see [Figure 1](#)).
2. Secure the bracket to the controller using three 6-32 x 1/4" phillips head screws and a suitable screwdriver.
3. Repeat these steps on the opposite side of the controller.
4. Install the four cage nuts.
  - a. Begin by inserting the lower lip of the cage but over the square opening in the back of the rail.
  - b. Insert the small end of the cage-nut installation tool through the opening in the rail (from the front), and hook the tool over the top lip of the cage nut.
  - c. Push the cage nut in towards the rail while rotating the tool up and pulling the tool back toward you until the top lip of the cage nut snaps into position.
5. Mount the controller within your organization's rack system using four M6 x 20mm phillips head screws and suitable screwdriver.
6. Leave a minimum of four inches (10cm) of space on the left and right side of the unit for proper air flow and ventilation (see [Figure 3](#)).
7. Leave additional space in front and back of the unit to access power cords, network cables, and LED status indicators (see [Figure 3](#)).
8. Connect the AC power cord (country-specific) to the rear of the unit.
9. Plug the opposite end of the power cord into an electrical outlet to power the controller.



**Note:** W-3000 Series Controllers do not have a power on/off switch. Power to the unit is controlled by inserting (or unplugging) the power cord plug into your electric outlet.

## Tabletop Deployment

To deploy an W-3000 Series Controllers on a flat surface, such as a tabletop:

1. Insert the four rubber mounting feet to the bottom of the unit.
2. Attach side bezels by snapping them into place.
3. Place the unit on a hard flat surface.

## Initial Setup and Network Connectivity

Once the physical installation is complete, run the initial setup on the controller to configure the IP address and other basic system information. For complete details and instructions, refer to the *ArubaOS Quick Start Guide* for the software version installed on your controller.

## Removal

To remove the W-3000 Series Controllers from a 19-inch (48.26 cm) rack system:

1. Disconnect the power to the controller by unplugging the power cord from the electrical outlet.
2. Disconnect any other cables or devices attached to the controller.
3. Loosen the four rack mount screws securing the controller to your organizations rack system.
4. Remove the controller from the rack system.



## Physical Specifications

- Device Dimensions (without rack mount brackets) (HxWxD):
  - All Models: 1.75" x 13.8" x 11.7"
  - All Models: 44 mm x 351 mm x 297 mm

Device Weight (with rack mount brackets):

- W-3200: 7.1 lbs/3.2 kgs
- W-3400/W-3600: 7.4 lbs/3.4 kgs
- Shipping Dimensions (HxWxD):
  - All Models: 6.5" x 18.2" x 16.5"
  - All Models: 165 mm x 462 mm x 419 mm
- Shipping Weight:
  - W-3200: 9.4 lbs/4.3 kgs
  - W-3400/W-3600: 9.7 lbs/4.4 kgs

## Power Management Specifications

### Power Consumption

- W-3200: 35 W maximum
- W-3400: 45 W maximum
- W-3600: 60 W maximum

### Power Specifications (AC Input Requirements)

- W-3200:
  - AC Input Voltage: 90-264 V~, Universal Input
  - AC Input Current: 1.5 A
  - AC Input Frequency: 47-63 Hz
- W-3400/W-3600:
  - AC Input Voltage: 90-264 V~, Universal Input
  - AC Input Current: 2.2 A
  - AC Input Frequency: 47-63 Hz

## Operating Specifications

- Operating Temperature Range: 0°C to 40°C (32°F to 104°F)
- Operating Humidity Range: 5% to 95% (RH), non-condensing

## Storage Specifications

- Storage Temperature Range: 0°C to 50°C (32°F to 122°F)
- Storage Humidity Range: 5% - 95% (RH), non-condensing

## Safety and Regulatory Compliance

Dell provides a multi-language document containing country specific restrictions and additional safety and regulatory information for all Dell hardware products. The Dell PowerConnect W-Series Safety, Environmental, and Regulatory Information document is included with this product.



---

**Caution:** Use of controls or adjustments of performance or procedures other than those specified in this manual may result in hazardous radiation exposure.

---

This product complies with 21 CFR Chapter 1, Subchapter J, Part 1040.10, and IEC 60825-1: 1993, A1: 1997, A2: 2001, IEC 60825-2: 2000.

For continued compliance with the above laser safety standards, only approved Class 1 modules from our approved vendors should be installed in Dell products.

### FCC Class A Device

This equipment has been tested and found to comply with the limits for a Class A digital device, pursuant to Part 15 of the FCC Rules. These limits are designed to provide reasonable protection against harmful interference when the equipment is operated in a commercial environment. This equipment generates, uses, and can radiate radio frequency energy and, if not installed and used in accordance with the instruction manual, may cause harmful interference to radio communications. Operation of this equipment in a residential area is likely to cause harmful interference in which case the user will be required to correct the interference at his own expense.

### Industry Canada

This Class A digital apparatus complies with Canadian ICES-003.

Cet appareil numérique de la classe A est conforme à la norme NMB-003 du Canada.

## NOM Information (Mexico Only)

The following information is provided on the device described in this document in compliance with the requirements of the official Mexican standards (NOM):

Importer: Dell Inc. de Mexico, S.A. de C.V.  
Paseo de la Reforma 2620-11° Piso  
Col. Lomas Atlas  
11950 Mexico, D.F.

Model Number: 3200

- Supply Voltage: 90-264 V AC
- Frequency: 47-63 Hz
- Current consumption: 1.5 A

Model Number: 3400/3600

- Supply Voltage: 90-264 V AC
- Frequency: 47-63 Hz
- Current consumption: 2.2 A

## Proper Disposal of Dell Equipment

For the most current information on Global Environmental Compliance and Dell products please see our website at [www.dell.com](http://www.dell.com).

### European Union RoHS

The logo for RoHS (Restriction of Hazardous Substances) is displayed in a bold, sans-serif font. The letters 'R', 'O', 'H', and 'S' are in a dark grey color, while the letter 'O' is highlighted in a light blue color.

Dell products also comply with the EU Restriction of Hazardous Substances Directive 2002/95/EC (RoHS). EU RoHS restricts the use of specific hazardous materials in the manufacture of electrical and electronic equipment. Specifically, restricted materials under the RoHS Directive are Lead (including Solder used in printed circuit assemblies), Cadmium, Mercury, Hexavalent Chromium, and Bromine. Some Dell products are subject to the exemptions listed in RoHS Directive Annex 7 (Lead in solder used in printed circuit assemblies). Products and packaging will be marked with the “RoHS” label shown at the left indicating conformance to this Directive.



# **Dell PowerConnect W-3000 Serie Controller Installationsanleitung**



## **Copyright**

© 2010 Aruba Networks, Inc. AirWave®, Aruba Networks®, Aruba Mobility Management System®, und andere eingetragene Marken sind Marken von Aruba Networks, Inc. Dell™, das DELL™-Logo und PowerConnect™ sind Marken von Dell Inc.

Alle Rechte vorbehalten. Spezifikationen in diesem Handbuch können ohne Ankündigung geändert werden.

Hergestellt in den USA. Alle anderen Marken, die in diesem Handbuch erwähnt werden, sind das Eigentum der jeweiligen Unternehmen.

## **Open Source Code**

Bestimmte Aruba-Produkte enthalten Open Source-Softwarecode, der von Drittanbietern entwickelt wurde, darunter Softwarecode gemäß GNU General Public License (GPL), GNU Lesser General Public License (LGPL) oder anderen Open Source-Lizenzen. Den Open Source Code finden Sie auf dieser Website:

[http://www.arubanetworks.com/open\\_source](http://www.arubanetworks.com/open_source)

## **Rechtliche Hinweise**

Die Verwendung von Switching-Plattformen und Software von Aruba Networks, Inc. durch Einzelpersonen oder Unternehmen zur Terminierung von VPN-Client-Geräten anderer Hersteller stellt die vollständige Anerkennung der Haftbarkeit dieser Einzelpersonen oder dieses Unternehmens für diese Aktion dar und enthebt Aruba Networks, Inc. zur Gänze aller rechtlichen Maßnahmen, die bezüglich der Verletzung des Urheberrechts im Namen dieser Hersteller ergriffen werden.

<b>Zu diesem Handbuch.....</b>	<b>5</b>
Übersicht über das Handbuch .....	5
Verwandte Dokumente .....	5
Kontaktaufnahme mit Dell.....	5
<b>Kapitel 1      <b>PowerConnect W-3000 Serie Controller .....</b></b>	<b>7</b>
Mindestvoraussetzungen für die Software.....	7
Checkliste .....	7
Modellübersicht.....	8
1000Base-X (SFP)-Ports .....	8
10/100/1000Base-T-Gigabit-Ethernet-Ports .....	9
Serielle Konsolenschnittstelle .....	9
Adapter für die serielle Konsolenschnittstelle .....	9
Netzstromanschluss .....	10
LED-Statusanzeigen.....	10
<b>Kapitel 2      <b>Installieren des W-3000 Serie Controller .....</b></b>	<b>13</b>
Bei Verwendung eines Telecom-Racks: .....	13
Bei Verwendung eines Server-Racks:.....	13
Installation in einem Telecom-Rack.....	13
Installation in einem Server-Rack .....	15
Aufstellung.....	16
Erstmalige Einrichtung und Netzwerkkonnektivität.....	16
Ausbau .....	16
<b>Anhang A      <b>Technische Daten, Sicherheit und Konformität.....</b></b>	<b>17</b>
Physische Spezifikationen .....	17
Stromversorgungsspezifikationen .....	17
Stromverbrauch.....	17
Energiespezifikationen (AC-Eingangsanforderungen).....	17
Betriebsspezifikationen.....	17
Lagerungsspezifikationen .....	18
Sicherheits- und Zulassungsbestimmungen .....	18
FCC Class A-Gerät .....	18
Industry Canada.....	18
NOM-Informationen (nur Mexiko) .....	19
Ordnungsgemäße Entsorgung von Dell-Geräten.....	19
RoHS-Richtlinie der Europäischen Union .....	19





Dieses Vorwort enthält die folgenden Informationen:

- „Übersicht über das Handbuch“ auf Seite 5
- „Verwandte Dokumente“ auf Seite 5
- „Kontaktaufnahme mit Dell“ auf Seite 5

## Übersicht über das Handbuch

- Kapitel 1, „PowerConnect W-3000 Serie Controller“ auf Seite 7 enthält einen ausführlichen Überblick über die Hardware der drei Controller der W-3000 Serie: W-3200, W-3400 und W-3600.
- Kapitel 2, „Installieren des W-3000 Serie Controller“ auf Seite 13 bietet Informationen zur Rack-Montage und Installation
- Anhang A, „Technische Daten, Sicherheit und Konformität“ auf Seite 17 enthält technische Daten und Informationen zur Sicherheit und Richtlinienkonformität.

## Verwandte Dokumente

Die folgenden Dokumente und Anleitungen werden im vorliegenden Handbuch als Referenz angegeben und gelten als Bestandteile der vollständigen Dokumentation, die für die erfolgreiche Bereitstellung und Verwaltung eines Dell Controllers erforderlich ist.

- *Dell PowerConnect ArubaOS Quick Start Guide*
- *Dell PowerConnect ArubaOS User Guide*
- *Dell PowerConnect ArubaOS 5.0 Command Line Reference*

## Kontaktaufnahme mit Dell

Website-Support	
Hauptsite	<a href="http://www.dell.com">www.dell.com</a>
Support-Site	<a href="http://support.dell.com">support.dell.com</a>
Dell-Dokumentation	<a href="http://support.dell.com/manuals">support.dell.com/manuals</a>



Der PowerConnect W-3000 Serie Controller besteht aus drei drahtlosen LAN-Controllern der Enterprise-Klasse. Diese Controller verbinden, steuern und integrieren auf intelligente Weise drahtlose Access Points (APs) und Air Monitors (AMs) in ein kabelgebundenes LAN-System.

Die PowerConnect W-3000 Serie Controller besteht aus den folgenden Modellen:

- W-3200 Multiservice Controller  
Der W-3200 unterstützt bis zu 32 verbundene APs auf einem Gelände.
- W-3400 Multiservice Controller  
Der W-3400 unterstützt bis zu 64 verbundene APs auf einem Gelände.
- W-3600 Multiservice Controller  
Der W-3600 unterstützt bis zu 128 verbundene APs auf einem Gelände.



---

**Hinweis:** Funktionsbezogene AP-Lizenzen werden unabhängig voneinander und zusätzlich zu den AP-Upgradelizenzen gezählt. Wenden Sie sich an Ihren Dell-Kundenbetreuer, um sich ausführlich über Softwarelizenzierungsoptionen und Supportkapazitäten zu informieren.

---

## Mindestvoraussetzungen für die Software

Der W-3000 Serie Controller erfordert ArubaOS 5.0.2 oder höher.



---

**Hinweis:** Der Master-Controller, sein redundanter Master-Controller und alle lokalen Controller müssen dieselbe Version von ArubaOS verwenden. Wenn Sie Ihr Netzwerk aktualisieren und einen W-3000 Serie Controller im Netzwerk installieren, vergewissern Sie sich, dass die Softwareversion des Controllers zum restlichen Netzwerk passt. Wenn die mit dem Controller gelieferte Version älter ist als die Version, auf die Sie Ihr Netzwerk aktualisiert haben, müssen Sie den Code auf dem Controller aktualisieren, damit er mit dem des Netzwerks übereinstimmt.

---

## Checkliste

- W-3000 Serie Controller
- Netzkabel (länderspezifisch)
- Rack-Montagehalterungen mit Schrauben (für die Rack-Montage)
- Serielles Flachbandkabel (RJ-45)
- Gummifüße (für die Aufstellung auf Tischplatten)
- Adapter für die serielle Konsolenschnittstelle (RJ-45 zu DB9)
- *Dell PowerConnect ArubaOS Quick Start Guide*
- *Endbenutzerlizenzvereinbarung (EULA)*
- *Safety, Environmental, and Regulatory Information (SERI)*-Dokument
- *Warranty and Support Information (WSI)*-Dokument



---

**Hinweis:** Wenden Sie sich an Ihren Händler, wenn Teile fehlen oder beschädigt sind oder wenn Sie falsche Teile erhalten haben. Bewahren Sie den Karton einschließlich der Original-Verpackungsmaterialien nach Möglichkeit auf. Verwenden Sie diese Materialien, um das Produkt bei Bedarf zu verpacken und zum Händler zurückzubringen.

---



---

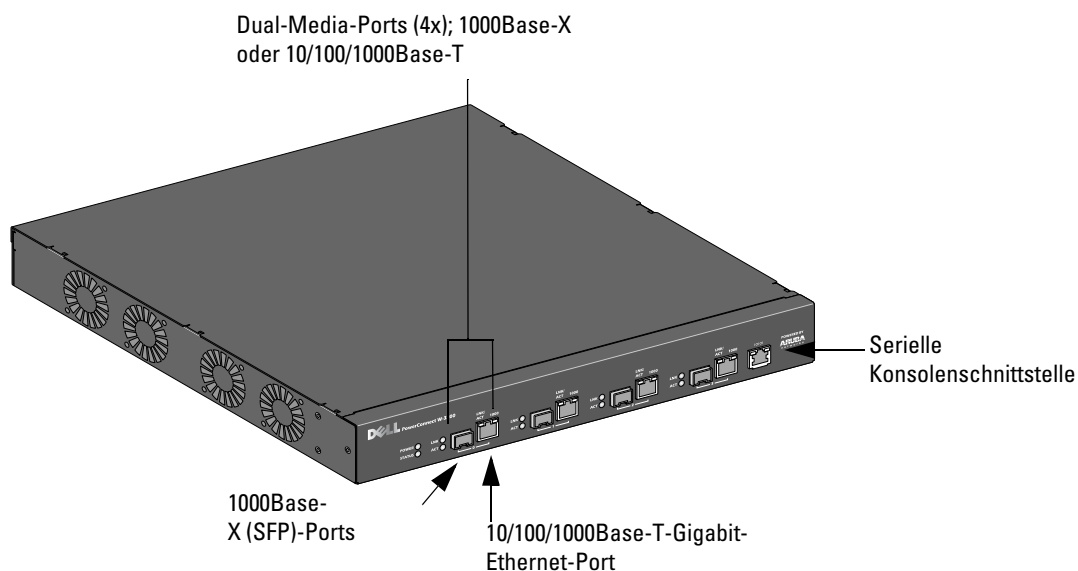
**Hinweis:** Optionales Zubehör, zum Beispiel SFP-Module, zur Verwendung mit dem W-3000 Serie Controller kann separat erworben werden. Wenden Sie sich an Ihren Dell-Kundenbetreuer, um weitere Informationen und Beratung zu erhalten.

---

## Modellübersicht

Die Hardware-Modellübersicht des W-3000 Serie Controllers deckt alle drei Modelle dieser Serie ab. Der Unterschied zwischen den drei Controller-Modellen besteht im jeweils erworbenen Lizenzumfang. Das in den Abbildungen in diesem Kapitel dargestellte Controller-Modell ist der W-3200.

**Abbildung 1** W-3200 Vorderansicht



---

**Hinweis:** Die Anschlüsse 0 bis 3 sind Dual-Media-Ports und können 1000Base-X- oder 10/100/1000Base-T-Verbindungen nutzen. Die 1000Base-X-Glasfaserverbindung hat jedoch Vorrang vor der 10/100/1000Base-T-Kupferkabelverbindung. Wenn eine Verbindung für die 1000Base-X-Schnittstelle erkannt wird, wird die 10/100/1000Base-T-Verbindung deaktiviert.

---

### 1000Base-X (SFP)-Ports

Es stehen vier 1000Base-X-Kombinations-Ports ausschließlich für faseroptische Konnektivität zur Verfügung. Sie sind zur Verwendung mit Dell SFP-Modulen (Mini-GBICs) konzipiert.

Wenn Sie kompatible SFP-Module erwerben möchten, wenden Sie sich an Ihren Dell-Kundenbetreuer.



---

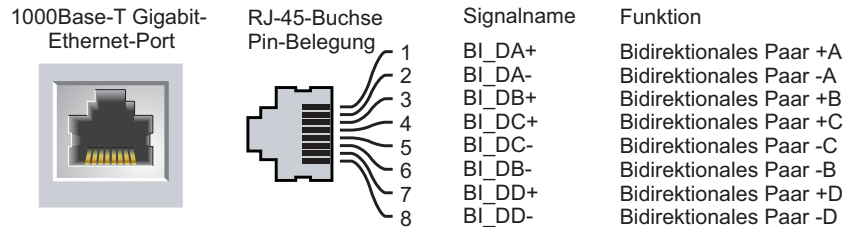
**Hinweis:** Dell testet und unterstützt Glasfaserleitungen von Dell innerhalb der Controllersysteme. Faseroptische Leitungen anderer Hersteller werden nicht getestet oder unterstützt; Dell kann deshalb die einwandfreie Funktionalität von Glasfaserleitungen anderer Hersteller nicht garantieren.

---

## 10/100/1000Base-T-Gigabit-Ethernet-Ports

Es gibt vier 10/100/1000Base-T Gigabit-Ethernet-Ports (RJ-45). Gigabit-Ethernet nutzt alle acht Leitungen und jedes Paar wird bidirektional verwendet, sodass dieselben Paare sowohl für die Datenübertragung als auch für den Empfang verwendet werden. [Abbildung 2](#) zeigt die CAT-5-Pin-Belegung für einen RJ-45-Anschluss. Die CAT-5-Pin-Belegung fasst jeweils die folgenden Pins bei einem 10/100/1000Base-T-Gigabit-Ethernet-Anschluss zu Paaren zusammen: 1/2, 3/6, 4/5 und 7/8.

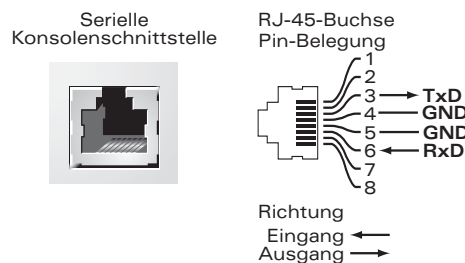
**Abbildung 2** Pin-Belegung des Gigabit-Ethernet-Ports



## Serielle Konsolenschnittstelle

Eine serielle Konsolenschnittstelle steht für den Anschluss an ein Terminal zur Verfügung, um die direkte lokale Verwaltung zu ermöglichen. An die RJ-45-Buchse kann ein serielles Kabel (RS-232) mit Stecker angeschlossen werden.

**Abbildung 3** Serielle Konsolenschnittstelle - Pin-Belegung



Kommunikationseinstellungen für die serielle Konsolenschnittstelle sind in [Tabelle 1](#) aufgeführt.

**Tabelle 1** Konsolenterminaleinstellungen

Baudrate	Datenbits	Parität	Stoppbits	Flusssteuerung
9600	8	Keine	1	Keine



**Vorsicht:** Schließen Sie keinen Access Point (AP) an die serielle Konsolenschnittstelle an. Die serielle Konsolenschnittstelle ist nur mit RS-232-Geräten kompatibel. Andere Geräte als RS-232-Geräte, zum Beispiel APs, werden nicht unterstützt.

## Adapter für die serielle Konsolenschnittstelle

Mit einem modularen Adapter kann die RJ-45-Buchse in einen DB9-Stecker umgewandelt werden. Details können Sie [Abbildung 4](#) entnehmen.

**Abbildung 4** Umwandlung der RJ-45-Buchse zum DB-9-Stecker mit modularem Adapter

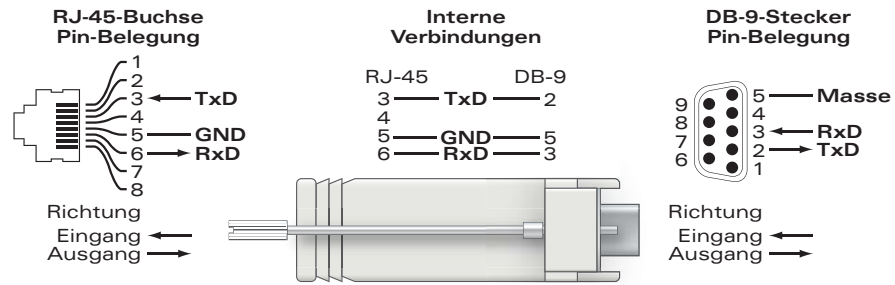
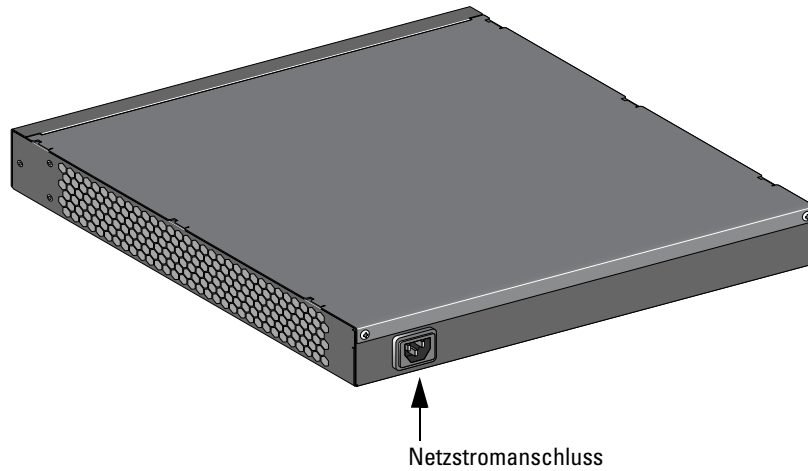


Abbildung 5 zeigt die Rückseite des W-3200.

**Abbildung 5** W-3200 Rückansicht



### Netzstromanschluss

Der W-3000 Serie Controller unterstützt die integrierte Netzstromversorgung. An den Netzstromanschluss auf der Rückseite des Geräts kann ein Netzkabel angeschlossen werden (länderspezifisch). Weitere Informationen zur Stromversorgung finden Sie unter „[Stromversorgungsspezifikationen](#)“ auf Seite 17.

### LED-Statusanzeigen

**Tabelle 2** W-3000 Serie Controller LED-Statusanzeigen

LED	Funktion	Anzeige	Status
POWER	Statusanzeige des Eingangsstroms	Ein (durchgehend grün)	Stromversorgung ein
		Aus	Kein Strom
STATUS	Statusanzeige des Moduls	Ein (durchgehend grün)	Gerät ist betriebsbereit
		Ein (durchgehend rot)	Gerätefehler
		Ein (durchgehend gelb)	Gerät lädt Software
		Aus	Kein Strom
LNK 1000Base-X-Ports	Anzeige des Verbindungsstatus	Ein (durchgehend grün)	Verbindung wurde hergestellt

**Tabelle 2** W-3000 Serie Controller LED-Statusanzeigen

LED	Funktion	Anzeige	Status
		Aus	Keine Verbindung am Port
ACT 1000Base-X-Ports	Aktivitätsanzeige	Ein (blinkt grün)	Port sendet oder empfängt Daten
		Aus	Keine Aktivität
LNK/ACT 10/100/1000Base-T-Ports	Verbindungs-/ Aktivitätsanzeige	Ein (durchgehend grün)	Verbindung wurde hergestellt
		Ein (blinkt grün)	Port sendet oder empfängt Daten
		Aus	Keine Verbindung am Port
1000 10/100/1000Base-T-Ports	Anzeige der Schnittstellenge- schwindigkeit	Ein (durchgehend grün)	1000 Mbit/s Schnittstellengeschwindigkeit
		Aus	10/100 Mbit/s Schnittstellengeschwindigkeit





Die folgenden Werkzeuge und Materialien werden für die Installation des Dell PowerConnect W-3000 Serie Controllers benötigt:

- Rack-Montagehalterung (2 Stück, bei Aufstellung auf Tischplatte nicht verwendet)
- Passende Schraubendreher
- Netzkabel (länderspezifisch)



---

**Warnung:** Bevor Sie die folgenden Schritte ausführen, lesen Sie bitte die Sicherheitsinformationen, die Sie mit dem Controller erhalten haben.

---

### Bei Verwendung eines Telecom-Racks:

- 6-32 x 1/4" Kreuzschlitzschrauben (6 Stück, im Lieferumfang enthalten)
- 12-24 x 5/8" Kreuzschlitzschrauben (4 Stück, im Lieferumfang enthalten)

### Bei Verwendung eines Server-Racks:

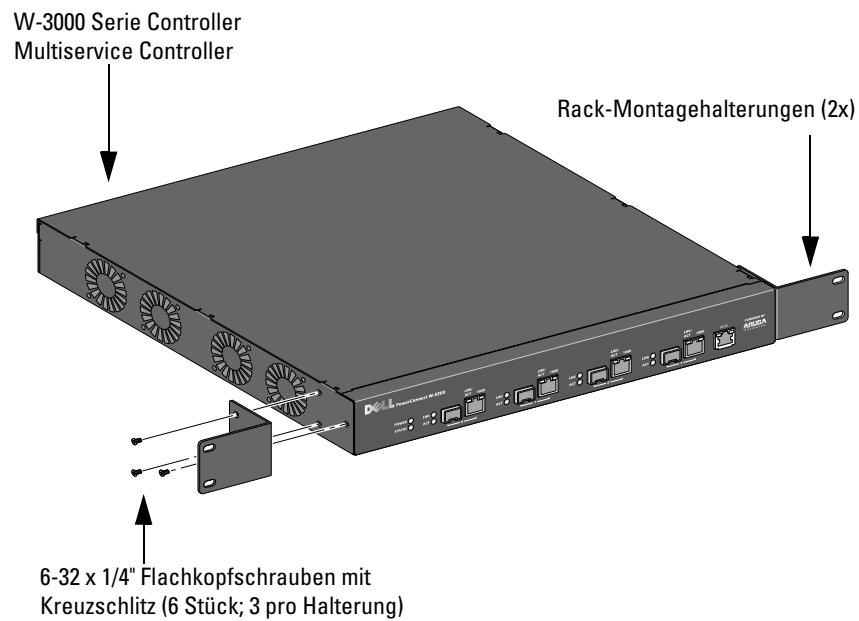
- 6-32 x 1/4" Kreuzschlitzschrauben (6 Stück, im Lieferumfang enthalten)
- M6 x 20 mm Kreuzschlitzschrauben (4 Stück, im Lieferumfang enthalten)
- M6 Käfigmuttern (4 Stück, im Lieferumfang enthalten) oder M6 Käfigclips (4 Stück, im Lieferumfang enthalten)

## Installation in einem Telecom-Rack

So installieren Sie den W-3000 Serie Controller in einem Rack-System (19 Zoll/48,26 cm):

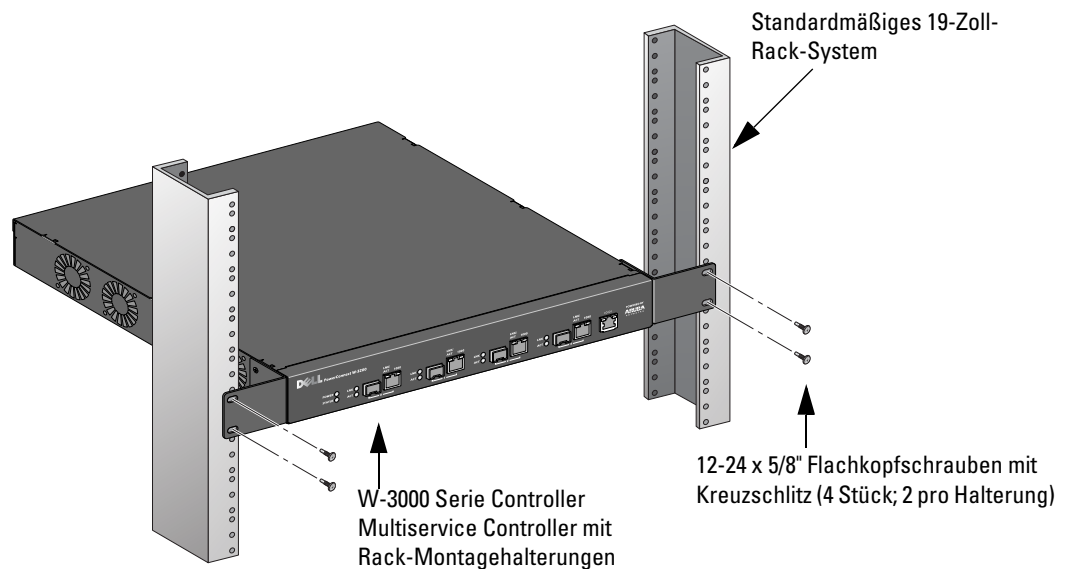
1. Halten Sie eine Rack-Montagehalterung über die Montagelöcher auf einer Seite des Controllers (siehe [Abbildung 1](#)).
2. Sichern Sie die Halterung mithilfe von drei Flachkopfschrauben mit Kreuzschlitz (6-32 x 1/4") und eines passenden Schraubendrehers am Controller.
3. Wiederholen Sie diese Schritte auf der anderen Seite des Controllers.

**Abbildung 1** Rack-Montagehalterungen



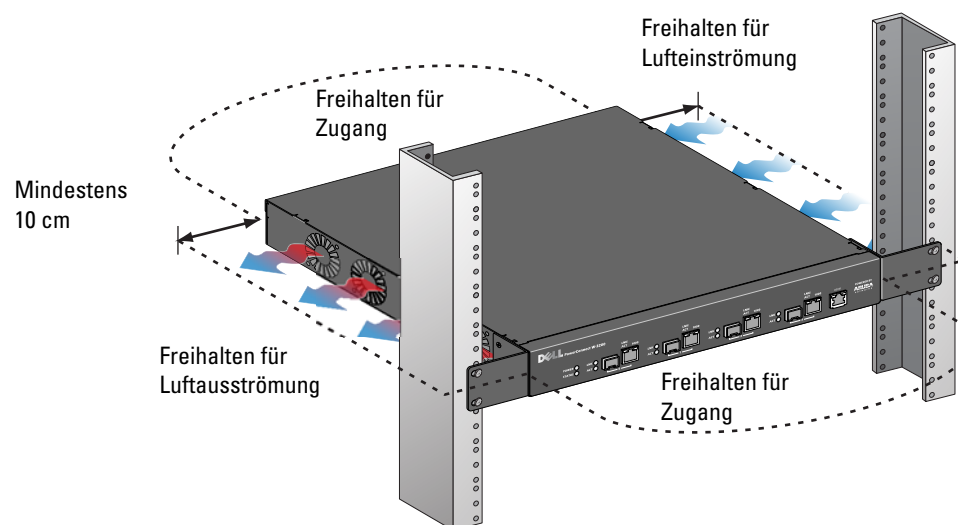
4. Bringen Sie den Controller mithilfe von vier Flachkopfschrauben mit Kreuzschlitz (12-24 x 5/8") und eines passenden Schraubendrehers im Rack-System Ihres Unternehmens an (siehe [Abbildung 2](#)).

**Abbildung 2** Installation mit Rack-Montage



5. Lassen Sie auf der linken und rechten Seite des Geräts jeweils mindestens 10 cm Platz frei, um die ausreichende Luftzirkulation und Belüftung zu gewährleisten (siehe [Abbildung 3](#)).
6. Lassen Sie genügend Platz vor und hinter dem Gerät frei, damit Sie problemlos Zugang zu Stromkabeln, Netzwerkabel und LEDs haben (siehe [Abbildung 3](#)).

**Abbildung 3** Platzanforderungen für Luftzirkulation



7. Schließen Sie das Netzstromkabel (länderspezifisch) auf der Rückseite des Geräts an.
8. Um den Controller mit Strom zu versorgen, stecken Sie das andere Ende des Netzkabels in eine Steckdose.

## Installation in einem Server-Rack

So installieren Sie einen W-3000 Serie Controller in ein Server-Rack-System (19 Zoll/48,26 cm):



**Hinweis:** Nachstehend wird die Installation des Controllers in einem Rack mit quadratischen Stanzungen ohne Gewinde beschrieben. Für ein Rack mit runden Stanzungen ohne Gewinde verwenden Sie stattdessen die mitgelieferten Clipmuttern.

1. Halten Sie eine Rack-Montagehalterung über die Montagelöcher auf einer Seite des Controllers (siehe [Abbildung 1](#)).
2. Sichern Sie die Halterung mithilfe von drei Flachkopfschrauben mit Kreuzschlitz (6-32 x 1/4") und eines passenden Schraubendrehers am Controller.
3. Wiederholen Sie diese Schritte auf der anderen Seite des Controllers.
4. Bringen Sie die vier Käfigmutter an.
  - a. Setzen Sie die untere Klemmzunge der Käfigmutter über die quadratische Öffnung auf der Rückseite der Schiene ein.
  - b. Führen Sie das schmalere Ende des Werkzeugs zum Einsetzen von Käfigmuttern von der Vorderseite aus durch die Öffnung in der Schiene und haken Sie das Werkzeug über die obere Klemmzunge der Käfigmutter.
  - c. Drücken Sie die Käfigmutter in Richtung der Schiene, während Sie das Werkzeug nach oben drehen und nach hinten in Ihre Richtung ziehen, bis die obere Klemmzunge der Käfigmutter einrastet.
5. Bringen Sie den Controller mit vier Kreuzschlitzschrauben (M6 x 20 mm) und mithilfe eines passenden Schraubendrehers im Rack-System Ihres Unternehmens an.
6. Lassen Sie auf der linken und rechten Seite des Geräts jeweils mindestens 10 cm Platz frei, um die ausreichende Luftzirkulation und Belüftung zu gewährleisten (siehe [Abbildung 3](#)).
7. Lassen Sie genügend Platz vor und hinter dem Gerät frei, damit Sie problemlos Zugang zu Stromkabeln, Netzkabel und LEDs haben (siehe [Abbildung 3](#)).

8. Schließen Sie das Netzstromkabel (länderspezifisch) auf der Rückseite des Geräts an.
9. Um den Controller mit Strom zu versorgen, stecken Sie das andere Ende des Netzkabels in eine Steckdose.



---

**Hinweis:** Der W-3000 Serie Controller hat keinen Ein/Aus-Schalter. Die Stromversorgung des Geräts wird durch Anschließen des Netzkabels an eine Steckdose geregelt.

---

## Aufstellung

Bei Aufstellung des W-3000 Serie Controllers auf einer ebenen Oberfläche, zum Beispiel auf einer Tischplatte:

1. Bringen Sie die vier GummifüÙe an der Unterseite des Geräts an.
2. Bringen Sie die Seitenabdeckungen an, indem Sie sie an ihrem Platz einrasten lassen.
3. Stellen Sie das Gerät auf einer festen, ebenen Oberfläche auf.

## Erstmalige Einrichtung und Netzwerkkonnektivität

Nach Abschluss der physischen Installation führen Sie das erstmalige Setup auf dem Controller aus, um die IP-Adresse und andere grundlegende Systeminformationen zu konfigurieren. Ausführliche Anweisungen finden Sie im *ArubaOSQuick Start Guide* (Kurzanleitung) für die auf Ihrem Controller installierte Softwareversion.

## Ausbau

So entfernen Sie den W-3000 Serie Controller aus einem Rack-System (19 Zoll/48,26 cm):

1. Um den Controller von der Stromversorgung zu trennen, ziehen Sie das Netzkabel aus der Steckdose.
2. Trennen Sie alle anderen Kabel oder Geräte, die an den Controller angeschlossen sind.
3. Lösen Sie die vier Rack-Montageschrauben, mit denen der Controller im Rack gesichert ist.
4. Nehmen Sie den Controller aus dem Rack-System.

### Physische Spezifikationen

- Abmessungen des Geräts (ohne Rack-Montagehalterungen) (HxBxT):
  - Alle Modelle: 44 mm x 351 mm x 297 mm

Gewicht des Geräts (mit Rack-Montagehalterungen):

- W-3200: 3,2 kg
- W-3400/W-3600: 3,4 kg
- Abmessungen für Versand (BxHxT):
  - Alle Modelle: 165 mm x 462 mm x 419 mm
- Versandgewicht:
  - W-3200: 4,3 kg
  - W-3400/W-3600: 4,4 kg

### Stromversorgungsspezifikationen

#### Stromverbrauch

- W-3200: 35 W maximal
- W-3400: 45 W maximal
- W-3600: 60 W maximal

#### Energiespezifikationen (AC-Eingangsanforderungen)

- W-3200:
  - AC-Eingangsspannung: 90-264 V~, Universaleingang
  - AC Eingangsstrom: 1,5 A
  - Eingangsfrequenz: 47-63 Hz
- W-3400/W-3600:
  - AC-Eingangsspannung: 90-264 V~, Universaleingang
  - AC Eingangsstrom: 2,2 A
  - Eingangsfrequenz: 47-63 Hz

### Betriebsspezifikationen

- Temperatur bei Betrieb: 0°C bis 40°C
- Luftfeuchtigkeit bei Betrieb: 5% bis 95% (relative Luftfeuchtigkeit), nicht kondensierend

#### Lagerungsspezifikationen

- Temperatur bei Lagerung: 0°C bis 50°C
- Luftfeuchtigkeit bei Lagerung: 5% - 95% (relative Luftfeuchtigkeit), nicht kondensierend

## Sicherheits- und Zulassungsbestimmungen

Dell stellt ein mehrsprachiges Dokument bereit, das landesspezifische Einschränkungen sowie zusätzliche Sicherheits- und Zulassungsbestimmungen für Hardwareprodukte von Dell enthält. Das Dokument „Dell PowerConnect W-Series Safety, Environmental, and Regulatory Information“ haben Sie mit diesem Produkt erhalten.



---

**Vorsicht:** Die Verwendung von Bedienelementen, die Änderung von Einstellungen und die Durchführung von Schritten, die in diesem Handbuch nicht angegeben sind, kann zur Freisetzung gefährlicher Strahlung führen.

---

Dieses Produkt entspricht 21 CFR Kapitel 1, Unterkapitel J, Teil 1040.10, und IEC 60825-1: 1993, A1: 1997, A2: 2001, IEC 60825-2: 2000.

Zur fortgesetzten Konformität mit den oben genannten Laser-Sicherheitsstandards sollten in Dell-Produkten nur zugelassene Module der Klasse 1 von unseren anerkannten Anbietern installiert werden.

### FCC Class A-Gerät

Dieses Gerät wurde getestet und erfüllt die Bedingungen für ein digitales Gerät der Klasse A gemäß Teil 15 der FCC-Bestimmungen. Diese Grenzwerte sind dafür ausgelegt, weitgehenden Schutz gegen schädliche Interferenz zu gewährleisten, wenn das Gerät in einer gewerblichen Umgebung betrieben wird. Dieses Gerät erzeugt und benutzt Hochfrequenzenergie und kann diese auch abstrahlen; es kann möglicherweise schädliche Funkstörungen verursachen, wenn es nicht den Anleitungen im Handbuch entsprechend installiert und verwendet wird. Beim Betrieb des Gerätes in Wohngebieten können Störungen auftreten. In diesem Fall muss der Benutzer die Störungen auf eigene Kosten beseitigen.

### Industry Canada

Dieses digitale Gerät der Klasse A entspricht den Bestimmungen der kanadischen Richtlinie ICES-003.

Cet appareil numérique de la classe A est conforme à la norme NMB-003 du Canada.

## NOM-Informationen (nur Mexiko)

Die folgenden Informationen werden zu dem in diesem Dokument beschriebenen Gerät gemäß den Bestimmungen der offiziellen mexikanischen Standards (NOM) bereitgestellt:

Importeur: Dell Inc. de Mexico, S.A. de C.V.  
Paseo de la Reforma 2620-11° Piso  
Col. Lomas Atlas  
11950 Mexico, D.F.

Modellnummer: 3200

- Netzstrom: 90-264 V AC
- Frequenz: 47-63 Hz
- Stromverbrauch: 1,5 A

Modellnummer: 3400/3600

- Netzstrom: 90-264 V AC
- Frequenz: 47-63 Hz
- Stromverbrauch: 2,2 A

## Ordnungsgemäße Entsorgung von Dell-Geräten

Aktuelle Informationen zur Konformität mit globalen Umweltschutzbestimmungen von Dell-Produkten finden Sie auf unserer Website unter [www.dell.com](http://www.dell.com).

## RoHS-Richtlinie der Europäischen Union

**RoHS**

Dell-Produkte erfüllen die RoHS-Richtlinie 2002/95/EC (Restriction of Hazardous Substances, Beschränkung gefährlicher Substanzen). Die RoHS-Richtlinie der EU schränkt die Verwendung gefährlicher Substanzen bei der Herstellung von elektrischen und elektronischen Produkten ein. Insbesondere Blei (einschließlich Lötzinn in elektronischen Leiterplatten), Cadmium, Quecksilber, sechswertiges Chrom und Brom gehören laut RoHS-Richtlinie zu den einzuschränkenden Werkstoffen. Für einige Dell-Produkte gelten die Ausnahmen, die in Anhang 7 der RoHS-Richtlinie aufgeführt sind (Lötzinn in elektronischen Leiterplatten). Produkte und Verpackung sind mit dem RoHS-Kennzeichen (links abgebildet) gekennzeichnet, um die Konformität mit dieser Richtlinie anzuzeigen.





**Contrôleurs Dell  
PowerConnect  
Série W-3000  
Guide d'installation**



## **Copyright**

© 2010 Aruba Networks, Inc. AirWave®, Aruba Networks®, Aruba Mobility Management System®, et autres marques déposées sont des marques commerciales d'Aruba Networks, Inc. Dell™, le logo DELL™ et PowerConnect™ sont des marques de Dell Inc.

Tous droits réservés. Les spécifications données dans ce manuel sont sujettes à modifications sans préavis.

Conçu aux Etats-Unis. Toutes les autres marques figurant dans ce manuel appartiennent à leurs propriétés respectives.

## **Code Open Source**

Certains produits Aruba ont recours à du code logiciel Open Source développé par des tiers, ce qui inclut le code logiciel soumis aux licences GNU GPL (General Public License), GNU LGPL (Lesser General Public License) ou autres licences Open Source. Le code Open Source utilisé figure sur le site suivant :

[http://www.arubanetworks.com/open\\_source](http://www.arubanetworks.com/open_source)

## **Mention légale**

L'utilisation des plates-formes de communication et des logiciels d'Aruba Networks, Inc. par des individus ou des entreprises, pour mettre fin à l'exploitation de périphériques clients VPN d'autres fournisseurs manifeste une acceptation complète par cet individu ou cette entreprise des responsabilités associées à cette action et exonère totalement Aruba Networks, Inc. de toute procédure légale initiée par ces fournisseurs et relative au non respect du droit d'auteur.

<b>À propos de ce guide</b> .....	<b>5</b>
Vue d'ensemble du guide .....	5
Documents connexes .....	5
Contacter Dell .....	5
<b>Chapitre 1</b> <b>À propos des contrôleurs Dell PowerConnect Série W-3000</b> .....	<b>7</b>
Configuration requise .....	7
Contrôle du contenu de l'emballage .....	7
Présentation du modèle .....	8
Ports 1000Base-X (SFP) .....	8
Ports Ethernet Gigabit 10/100/1000Base-T .....	9
Port console série .....	9
Adaptateur de port de console série .....	9
Prise d'alimentation .....	10
Voyants d'état .....	10
<b>Chapitre 2</b> <b>Installation du contrôleur Série W-3000</b> .....	<b>13</b>
Pour un rack Telecom : .....	13
Pour un rack serveur : .....	13
Installation sur un rack Telecom .....	13
Installation sur un rack serveur .....	15
Déploiement sur une table .....	15
Configuration initiale et connectivité réseau .....	15
Retrait .....	16
<b>Annexe A</b> <b>Spécifications, sécurité et conformité</b> .....	<b>17</b>
Spécifications physiques .....	17
Gestion de l'alimentation .....	17
Consommation d'énergie .....	17
Spécifications électriques (entrée c.a.) .....	17
Spécifications d'exploitation .....	17
Spécifications de stockage .....	18
Sécurité et conformité aux réglementations .....	18
Périphérique de Classe A selon la FCC .....	18
Industrie Canada .....	18
Informations NOM (Mexique uniquement) .....	19
Procédure de mise au rebut de l'équipement Dell .....	19
Directive de l'Union Européenne sur les substances dangereuses .....	19



Cette préface inclut les informations suivantes :

- « Vue d'ensemble du guide » à la page 5
- « Documents connexes » à la page 5
- « Contacter Dell » à la page 5

## Vue d'ensemble du guide

- Chapitre 1, « À propos des contrôleurs Dell PowerConnect Série W-3000 » à la page 7 donne une présentation détaillée de la partie matérielle des 3 contrôleurs de la Série W-3000 : le W-3200, le W-3400 et le W-3600.
- Chapitre 2, « Installation du contrôleur Série W-3000 » à la page 13 regroupe les instructions de montage et d'installation sur rack.
- Annexe A, « Spécifications, sécurité et conformité » à la page 17 inclut des spécifications techniques sur le produit, ainsi que des informations réglementaires et de conformité.

## Documents connexes

La documentation suivante est mentionnée dans ce guide et fait partie de l'ensemble complet de documentation requis pour la bonne installation et gestion d'un contrôleur Dell :

- *Dell PowerConnect ArubaOS Quick Start Guide*
- *Dell PowerConnect ArubaOS User Guide*
- *Dell PowerConnect ArubaOS 5.0 - références de la ligne de commande*

## Contacteur Dell

Assistance sur le site Web	
Site principal	<a href="http://www.dell.com">www.dell.com</a>
Site d'assistance	<a href="http://support.dell.com">support.dell.com</a>
Documentation Dell	<a href="http://support.dell.com/manuals">support.dell.com/manuals</a>



La Série W-3000 de contrôleurs Dell PowerConnect comprend trois contrôleurs de réseau local sans fil d'entreprise. Ces contrôleurs connectent, contrôlent et intègrent les points d'accès sans fil et les points d'accès en modes moniteur (AM - Air monitor) dans un réseau local filaire.

Les contrôleurs PowerConnect Série W-3000 comprennent les modèles suivants :

- Contrôleur multiservice W-3200  
Le contrôleur W-3200 peut prendre en charge jusqu'à 32 points d'accès connectés à un campus d'entreprises.
- Contrôleur multiservice W-3400  
Le contrôleur W-3400 peut prendre en charge jusqu'à 64 points d'accès connectés à un campus d'entreprises.
- Contrôleur multiservice W-3600  
Le contrôleur W-3600 peut prendre en charge jusqu'à 128 points d'accès connectés à un campus d'entreprises.



---

**Remarque :** Les licences de points d'accès correspondant à des fonctionnalités spécifiques sont comptées de façon indépendante et en supplément des licences de mise à niveau des points d'accès. Contactez votre revendeur Dell pour plus de détails concernant les options de licence des logiciels et les possibilités d'assistance.

---

## Configuration requise

Les contrôleurs Série W-3000 nécessitent ArubaOS 5.0.2 ou plus récent.



---

**Remarque :** Le contrôleur maître, son contrôleur maître redondant et tous les contrôleurs locaux doivent employer la même version d'ArubaOS. Lorsque vous mettez à niveau votre réseau et installez un contrôleur série W-3000 sur votre réseau, assurez-vous que la version logicielle de votre contrôleur correspond à celle du reste du réseau. Si la version fournie avec le contrôleur est plus ancienne que la version mise en œuvre sur votre réseau, vous devez mettre à jour le code sur le contrôleur de façon à disposer de la même version que le réseau.

---

## Contrôle du contenu de l'emballage

- Contrôleurs série W-3000
- Cordon d'alimentation (en fonction du pays de vente)
- Supports de montage sur rack avec visserie (pour le montage sur rack)
- Câble série plat (RJ-45)
- Pieds en caoutchouc (pour l'installation sur une table)
- Port de l'adaptateur de la console série (RJ-45 vers DB9)
- *Dell PowerConnect ArubaOS Quick Start Guide*
- *Contrat de licence utilisateur final (CLUF)*
- *Document « Safety, Environmental, and Regulatory Information (SERI) »*
- *Document « Informations concernant la garantie et le support »*



**Remarque :** Informez votre fournisseur si l'un des éléments est incorrect, manquant ou endommagé. Si possible, conservez l'emballage d'origine. Vous disposerez ainsi de tout le nécessaire en cas de renvoi de matériel au fournisseur.

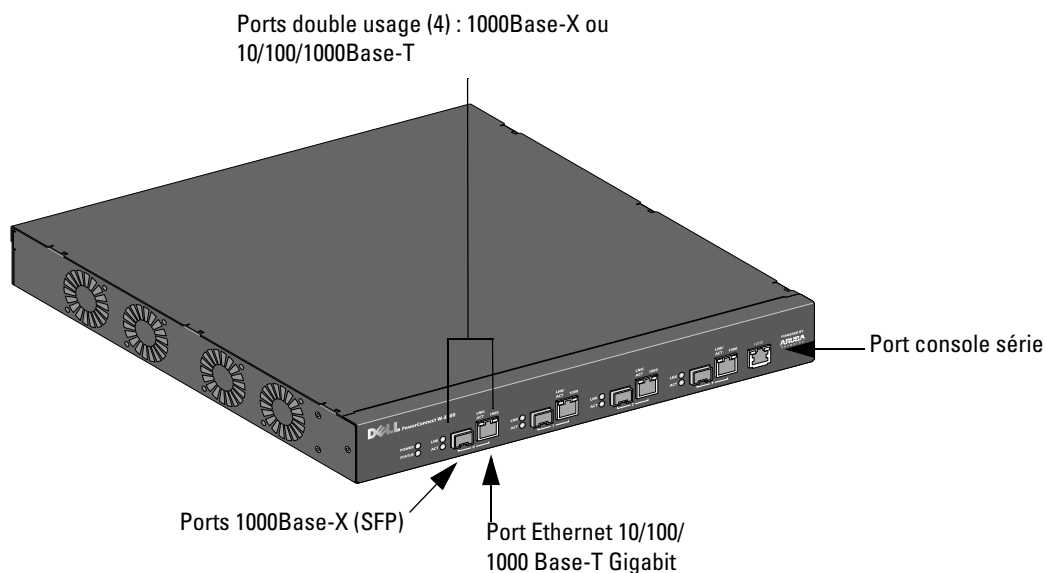


**Remarque :** Des accessoires en option, tels que des modules SFP, sont disponibles pour l'utilisation avec le contrôleur Série W-3000 et sont vendus séparément. Contactez votre représentant Dell pour plus de détails et obtenir de l'assistance.

## Présentation du modèle

La présentation de la partie physique du contrôleur Série W-3000 couvre les trois modèles de cette série. La différence entre ces trois modèles contrôleur dépend de la licence que vous avez achetée. Le modèle de contrôleur illustré dans ce chapitre est le W-3200.

**Figure 1** Vue avant du W-3200



**Remarque :** Les ports zéro à trois sont des ports à double fonction capables d'assurer une connexion 1000Base-X ou 10/100/1000Base-T. Cependant, la connexion 1000Base-X par fibre est prioritaire par rapport à la connexion 10/100/1000Base-T en coaxial. Si une liaison est détectée sur l'interface 1000Base-X, la connexion 10/100/1000Base-T est désactivée.

### Ports 1000Base-X (SFP)

Quatre combinaisons de ports 1000Base-X sont prévues pour la connexion par fibre optique uniquement et pour l'utilisation avec les SFP Dell (mini-GBIC).

Pour acheter des modules SFP compatibles, contactez votre revendeur Dell pour plus de détails et de l'assistance.



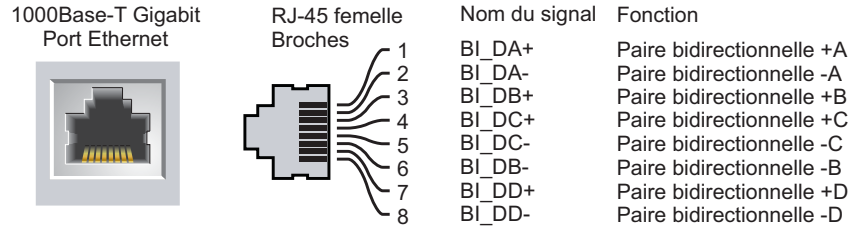
**Remarque :** Dell teste et prend en charge les pièces optiques Dell au sein de ses systèmes de contrôleur. Les pièces optiques de fabricants tiers ne sont ni testées ni prises en charge ; par conséquent, Dell ne garantit pas la fonctionnalité des pièces optiques de tiers.



## Ports Ethernet Gigabit 10/100/1000Base-T

Quatre ports 10/100/1000Base-T Gigabit Ethernet (RJ-45) sont disponibles. Gigabit Ethernet exploite les huit fils disponibles et chaque paire est utilisée de façon bidirectionnelle, ce qui signifie que les mêmes paires sont utilisées pour la transmission et la réception de données. [Figure 2](#) illustre le brochage CAT-5 d'un connecteur RJ-45. Le connecteur RJ-45 CAT-5 utilise les paires suivantes sur un port Ethernet Gigabit 10/100/1000Base-T : 1/2, 3/6, 4/5 et 7/8.

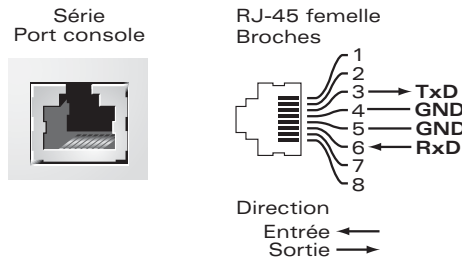
**Figure 2** Brochage du port Ethernet Gigabit



## Port console série

Un port console série est prévu pour la connexion à un terminal, ce qui autorise une gestion locale directe. Le connecteur femelle RJ-45 du port permet de connecter un câble série RS-232 avec un connecteur mâle.

**Figure 3** Brochage du port console série



Les paramètres de communication du port série figurent dans la section [Tableau 1](#).

**Tableau 1** Paramètres de la console

Débit en bauds	Bits de données	Parité	Bits d'arrêt	Contrôle du flux
9600	8	Aucun	1	Aucun

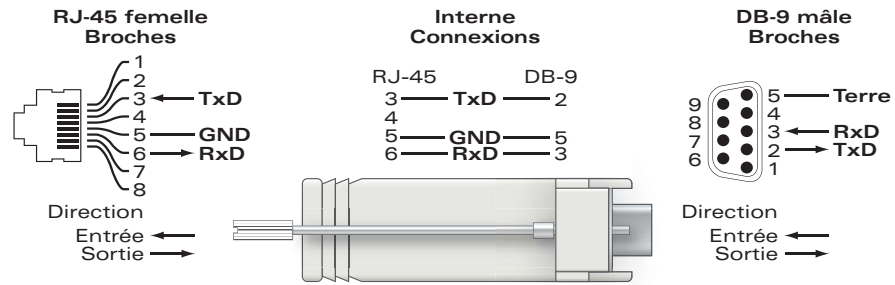


**ATTENTION** : Ne connectez pas de point d'accès au port de la console série. Le port de la console série est compatible uniquement avec les périphériques RS-232. Les périphériques qui ne sont pas de type RS-232, tels que les points d'accès, ne sont pas pris en charge.

## Adaptateur de port de console série

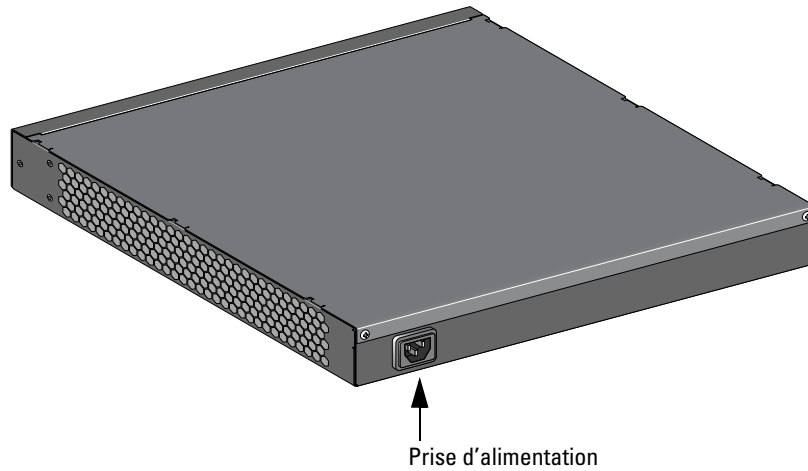
Un adaptateur modulaire permet de convertir le connecteur RJ-45 (femelle) sur un connecteur DB9 (mâle). Consultez la section [Figure 4](#) pour plus de détails.

**Figure 4** Conversion d'adaptateur modulaire RJ-45 (femelle) vers DB9 (mâle)



La [Figure 5](#) représente la vue arrière du W-3200.

**Figure 5** W-3200 Vue arrière



### Prise d'alimentation

Le contrôleur Série W-3000 dispose d'une alimentation secteur intégrée. La prise d'alimentation située sur la partie arrière de l'unité permet de brancher un câble secteur (modèle en fonction du pays). Consultez la section « [Gestion de l'alimentation](#) » à la page 17 pour plus de détails sur les spécifications d'alimentation.

### Voyants d'état

**Tableau 2** Voyants d'état - Contrôleurs série W-3000

Voyant	Fonction	Voyant	État
POWER	Voyant d'état de l'alimentation	Sous tension (vert fixe)	Sous tension
		Éteint	Pas d'alimentation
STATUS	Voyant d'état du module	Sous tension (vert fixe)	Le périphérique est opérationnel
		Sous tension (rouge fixe)	Échec du périphérique
		Activé (orange fixe)	Le périphérique charge le logiciel
		Éteint	Pas d'alimentation

**Tableau 2** Voyants d'état - Contrôleurs série W-3000

Voyant	Fonction	Voyant	État
Ports LNK 1000Base-X	Voyant d'état du lien	Sous tension (vert fixe)	Un lien a été établi
		Éteint	Pas de lien sur le port
Ports ACT 1000Base-X	Témoin d'activité	Allumé (vert clignotant)	Le port transmet ou reçoit des données
		Éteint	Aucune activité
Ports LNK/ACT 10/100/1000Base-T	Voyant d'état du lien ou de l'activité	Sous tension (vert fixe)	Un lien a été établi
		Allumé (vert clignotant)	Le port transmet ou reçoit des données
		Éteint	Pas de lien sur le port
Ports 1000 10/100/1000Base-T	Indicateur de vitesse	Sous tension (vert fixe)	Interface de 1 000 Mbits/s en cours d'utilisation
		Éteint	Interface de 10/100 Mbits/s en cours d'utilisation



Les outils et l'équipement suivants sont requis pour installer le contrôleur Dell PowerConnect Série W-3000 :

- Équerre de montage sur rack (2, non utilisé pour l'installation sur un bureau)
- Tournevis adapté
- Cordon d'alimentation (en fonction du pays de vente)



**Avertissement :** Avant d'exécuter la procédure suivante, consultez les instructions de sécurité accompagnant le contrôleur.

### Pour un rack Telecom :

- Vis cruciformes 6-32 x 1/4 po (6, incluses)
- Vis cruciformes 12-24 x 5/8 po (4, incluses)

### Pour un rack serveur :

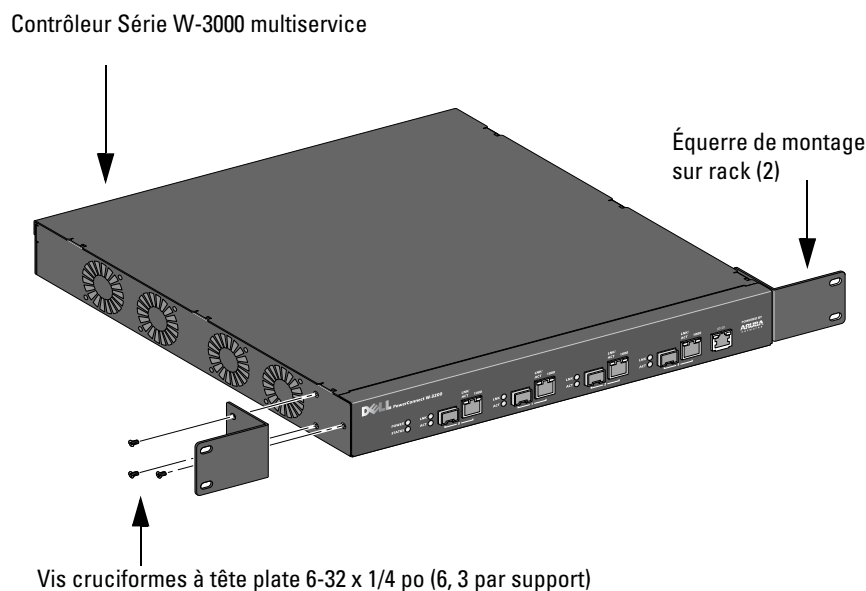
- Vis cruciformes 6-32 x 1/4 po (6, incluses)
- Vis cruciformes M6 x 20 mm (4, incluses)
- Écrous cage M6 (4, inclus) ou écrous à mâchoire M6 (4, inclus)

## Installation sur un rack Telecom

Pour installer un contrôleur Série W-3000 sur un rack de 48,26 cm (19 po) :

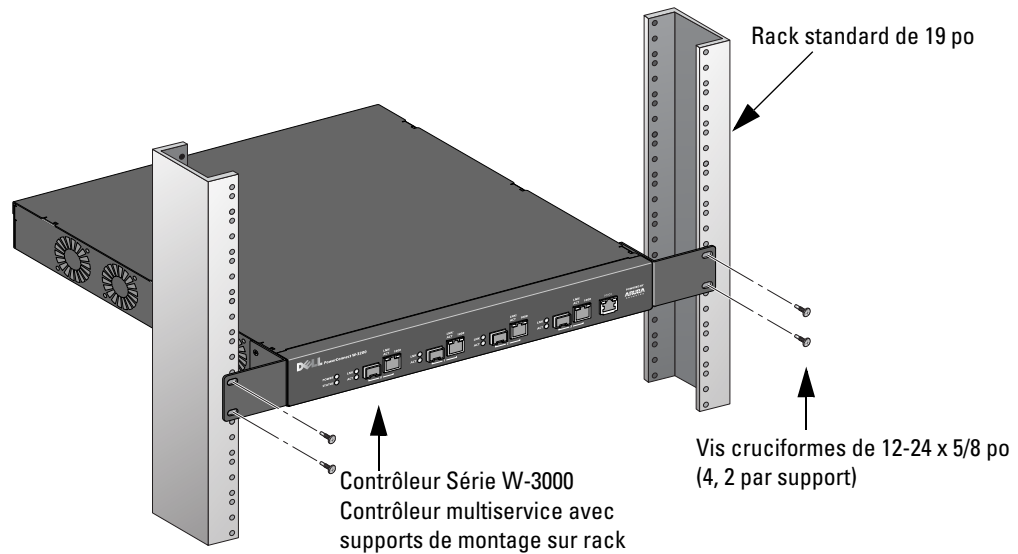
1. Placez un support de montage sur rack sur les trous de montage sur l'un des côtés du contrôleur (voir [Figure 1](#)).
2. Fixez le support sur le contrôleur au moyen de trois vis cruciformes à tête plate de 6-32 x 1/4 po.
3. Répétez ces opérations de l'autre côté du contrôleur.

**Figure 1** Supports de montage sur rack



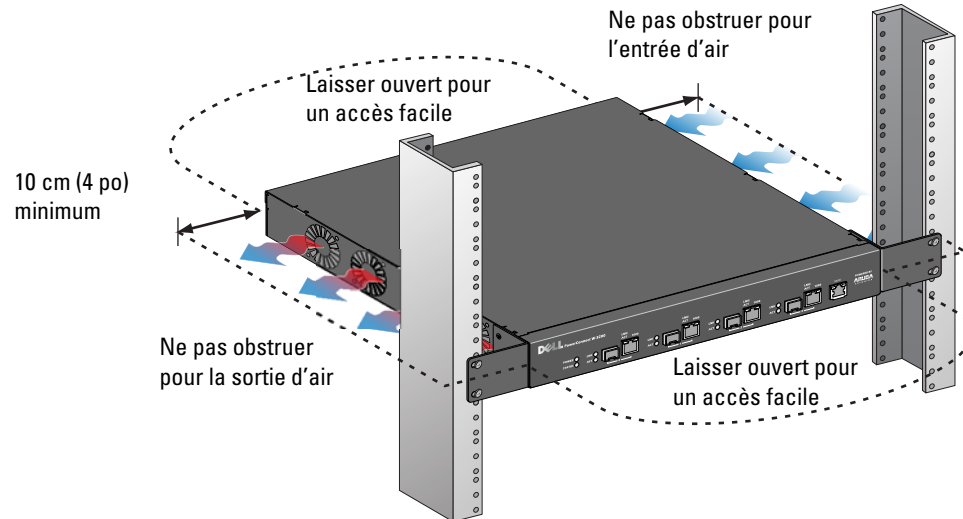
- Montez le contrôleur sur le rack de votre entreprise au moyen de quatre vis cruciformes à tête plate de 12-24 x 5/8 po (voir [Figure 2](#)).

**Figure 2** Montage sur rack



- Ménagez un espace minimum de 10 cm (4 po) sur les côtés gauche et droit de l'unité pour assurer une bonne circulation de l'air et la ventilation (voir [Figure 3](#)).
- Prévoyez également un espace libre supplémentaire à l'avant et à l'arrière de l'unité pour accéder aux cordons d'alimentation, aux câbles réseau et aux voyants d'état (voir [Figure 3](#)).

**Figure 3** Circulation de l'air



- Branchez le cordon d'alimentation secteur (différent selon le pays de commercialisation) à l'arrière de l'unité.
- Branchez l'autre extrémité du cordon d'alimentation sur une prise électrique.

## Installation sur un rack serveur

Pour installer un contrôleur Série W-3000 sur un rack serveur de 48,26 cm (19 po) :



---

**Remarque :** Les instructions suivantes décrivent l'installation du contrôleur sur un rack avec des trous carrés, sans filetage. Pour les racks à trous ronds sans filetage, utilisez des écrous à mâchoire.

---

1. Placez un support de montage sur rack sur les trous de montage sur l'un des côtés du contrôleur (voir [Figure 1](#)).
2. Fixez le support sur le contrôleur au moyen de trois vis cruciformes à tête plate de 6-32 x 1/4 po.
3. Répétez ces opérations de l'autre côté du contrôleur.
4. Installez les quatre écrous cage.
  - a. Commencez par insérer le bord inférieur de la cage, mais au-dessus de l'ouverture carrée à l'arrière du rail.
  - b. Insérez la petite extrémité de l'outil d'installation de l'écrou cage dans l'ouverture du rail (depuis l'avant) et accrochez cet outil sur le bord supérieur de l'écrou cage.
  - c. Poussez l'écrou cage vers le rail tout en faisant pivoter l'outil vers le haut et vers vous, jusqu'à ce que le bord supérieur de l'écrou cage se mette en place.
5. Montez le contrôleur sur le rack de votre entreprise au moyen de quatre vis cruciformes à tête plate de M6 x 20 mm.
6. Ménagez un espace minimum de 10 cm (4 po) sur les côtés gauche et droit de l'unité pour assurer une bonne circulation de l'air et la ventilation (voir [Figure 3](#)).
7. Prévoyez également un espace libre supplémentaire à l'avant et à l'arrière de l'unité pour accéder aux cordons d'alimentation, aux câbles réseau et aux voyants d'état (voir [Figure 3](#)).
8. Branchez le cordon d'alimentation secteur (différent selon le pays de commercialisation) à l'arrière de l'unité.
9. Branchez l'autre extrémité du cordon d'alimentation sur une prise électrique.



---

**Remarque :** Le contrôleur Série W-3000 ne comporte pas de commutateur marche/arrêt. L'unité est alimentée ou mise hors tension en branchant ou débranchant son cordon électrique.

---

## Déploiement sur une table

Pour déployer un contrôleur Série W-3000 sur une surface plate, telle qu'une table :

1. Installez les quatre pieds en caoutchouc sur le dessous de l'unité.
2. Fixez les caches latéraux en les accrochant sur l'unité.
3. Posez l'unité sur une surface plate et dure.

## Configuration initiale et connectivité réseau

Une fois l'installation physique terminée, procédez à la configuration initiale sur le contrôleur, de façon à configurer l'adresse IP et autres informations système de base. Pour des informations complètes et des instructions, consultez le document *ArubaOS Quick Start Guide* correspondant à la version logicielle de votre contrôleur.

## Retrait

Pour retirer un contrôleur série W-3000 d'un rack de 48,26 cm (19 po) :

1. Mettez hors tension le contrôleur en débranchant son cordon d'alimentation de la prise murale.
2. Déconnectez les autres câbles ou périphériques connectés au contrôleur.
3. Desserrez les quatre vis de montage sur rack.
4. Enlevez le contrôleur du rack.



## Spécifications physiques

- Dimensions du périphérique (sans supports de montage sur rack) (H x L x P) :
  - Tous les modèles : 44 x 351 x 297 mm
  - Tous les modèles : 1,75 x 13,8 x 11,7 po

Poids du périphérique (avec supports de montage en rack) :

- W-3200 : 3,2 kg/7,1 livres
- W-3400/W-3600 : 3,4 kg/7,4 livres
- Dimensions d'expédition (HxLxP) :
  - Tous les modèles : 165 x 462 x 419 mm
  - Tous les modèles : 6,5 x 18,2 x 16,5 po
- Poids d'expédition :
  - W-3200 : 4,3 kg/9,4 livres
  - W-3400/W-3600 : 4,4 kg/9,7 livres

## Gestion de l'alimentation

### Consommation d'énergie

- W-3200 : 35 W maximum
- W-3400 : 45 W maximum
- W-3600 : 60 W maximum

### Spécifications électriques (entrée c.a.)

- W-3200 :
  - Tension secteur : 90 à 264 V c.a., entrée universelle
  - Intensité sur secteur : 1,5 A
  - Fréquence admise : 47 à 63 Hz en alternatif
- W-3400/W-3600 :
  - Tension secteur : 90 à 264 V c.a., entrée universelle
  - Intensité sur secteur : 2,2 A
  - Fréquence admise : 47 à 63 Hz en alternatif

## Spécifications d'exploitation

- Plage de températures de fonctionnement : 0 à 40° C (32° à 104° F)
- Tolérance d'humidité en cours de fonctionnement : 5 à 95 % (humidité relative), sans condensation

## Spécifications de stockage

- Plage de températures de stockage : 0° à 50° C (32° à 122° F)
- Tolérance d'humidité lors du stockage : 5 à 95 % (humidité relative), sans condensation

## Sécurité et conformité aux réglementations

Dell fournit un document en plusieurs langues contenant les restrictions propres aux différents pays, ainsi que des informations de sécurité et réglementaires pour tous les produits matériels Dell. Le document Dell PowerConnect W-Series Safety, Environmental, and Regulatory Information est inclus avec ce produit.



---

**ATTENTION** : L'application de commandes ou de réglages de performances ou de procédures qui ne sont pas spécifiées dans ce manuel risque d'entraîner une exposition à des rayonnements dangereux.

---

Ce produit est conforme aux normes 21 CFR chapitre 1, sous-chapitre J, section 1040.10 et IEC 60825-1: 1993, A1: 1997, A2: 2001, IEC 60825-2: 2000.

Pour assurer la pérennité de la conformité aux normes de sécurité laser ci-dessus, seuls les modules agréés de classe 1 provenant de nos fournisseurs agréés doivent être installés avec les produits Dell.

### Périphérique de Classe A selon la FCC

Cet équipement a été testé et déclaré conforme aux limites définies pour un périphérique numérique de classe A, conformément à la section 15 des règles de la FCC. Ces limites sont conçues pour assurer une protection raisonnable contre les interférences nuisibles lorsque l'équipement est utilisé dans un environnement commercial. Cet équipement génère, utilise et peut diffuser de l'énergie sous forme de fréquences radio et, s'il n'est pas utilisé conformément au manuel d'instructions, peut provoquer des interférences lors des communications radio. L'utilisation de cet équipement dans une zone résidentielle risque de provoquer des interférences nuisibles, auquel cas l'utilisateur doit éliminer les interférences à ses frais.

### Industrie Canada

This Class A digital apparatus complies with Canadian ICES-003.

Cet appareil numérique de la classe A est conforme à la norme canadienne NMB-003.

## Informations NOM (Mexique uniquement)

Les informations suivantes sont fournies sur le périphérique décrit dans ce document conformément aux stipulations de l'organisme normatif mexicain(NOM) :

Importateur : Dell Inc. de Mexico, S.A. de C.V.  
Paseo de la Reforma 2620-11° Piso  
Col. Lomas Atlas  
11950 Mexico, D.F.

N° de modèle : 3200

- Tension fournie : 90 à 264 V c.a.
- Fréquence : 47 à 63 Hz
- Consommation de courant : 1,5 A

N° de modèle : 3400/3600

- Tension fournie : 90 à 264 V c.a.
- Fréquence : 47 à 63 Hz
- Consommation de courant : 2,2 A

## Procédure de mise au rebut de l'équipement Dell

Pour consulter les informations les plus récentes sur la conformité aux normes de protection de l'environnement des produits Dell, consultez notre site Web, [www.dell.com](http://www.dell.com).

## Directive de l'Union Européenne sur les substances dangereuses

**RoHS**

Les produits Dell sont également conformes à la directive européenne RoHS 2002/95/CE (Restriction of Hazardous Substances). Cette directive limite l'utilisation de matériaux dangereux spécifiques dans la fabrication d'équipements électriques ou électroniques.

De façon plus précise, les matériaux concernés par cette directive sont le plomb(ce qui inclut les soudures dans les circuits imprimés), le cadmium, le mercure, le chrome hexavalent et le brome. Certains produits Dell sont sujets aux exemptions prévues dans la directive RoHS à l'annexe 7 (plomb des soudures de circuits imprimés). Les produits et les emballages portent la mention « RoHS » présentée à gauche conformément à cette directive.



**Controladores Dell  
PowerConnect  
Serie W-3000  
Guía de instalación**



## **Copyright**

© 2010 Aruba Networks, Inc. AirWave®, Aruba Networks®, Aruba Mobility Management System®, y otras marcas comerciales son marcas comerciales de Aruba Networks, Inc. Dell™, el logotipo DELL™ y PowerConnect™ son marcas registradas de Dell Inc.

Todos los derechos reservados. Las especificaciones incluidas en este manual pueden cambiar sin previo aviso.

Creado en Estados Unidos. El resto de marcas comerciales que aparecen en este manual pertenecen a sus respectivas empresas.

## **Código Open Source**

Algunos productos de Aruba incluyen software Open Source desarrollado por otros fabricantes, incluido código de software sujeto a las licencias GNU GPL, GNU LGPL o a otras licencias Open Source. El código Open Source utilizado se puede encontrar en este sitio:

[http://www.arubanetworks.com/open\\_source](http://www.arubanetworks.com/open_source)

## **Aviso legal**

El uso de las plataformas de conexión y de software de Aruba Networks, Inc., por toda persona o empresa, para terminar otros dispositivos de cliente VPN de otros proveedores constituye la total aceptación de responsabilidad por parte del individuo o empresa por la acción realizada y excluye por completo a Aruba Networks, Inc. del coste de cualquier acción legal emprendida en contra relacionada con la violación del copyright en representación de dichos proveedores.

<b>Acerca de esta guía</b> .....	<b>5</b>
Descripción general de la guía .....	5
Documentos relacionados.....	5
Contacto con Dell .....	5
<b>Capítulo 1</b> <b>Acerca del PowerConnect Controladores Serie W-3000</b> .....	<b>7</b>
Requisitos mínimos de software .....	7
Lista de comprobación del paquete.....	7
Descripción general del modelo .....	8
Puertos 1000Base-X (SFP) .....	8
Puertos Gigabit Ethernet 10/100/1000Base-T .....	9
Puerto serie de consola .....	9
Adaptador de puerto serie de consola .....	10
Toma de alimentación de CA .....	10
Indicadores LED de estado.....	10
<b>Capítulo 2</b> <b>Instalación del Controladores Serie W-3000</b> .....	<b>13</b>
Para rack de telecomunicaciones: .....	13
Para rack de servidor: .....	13
Instalación en un rack de telecomunicaciones .....	13
Instalación en un rack de servidor.....	15
Instalación en superficie plana.....	16
Configuración inicial y conectividad de la red .....	16
Extracción.....	16
<b>Apéndice A</b> <b>Especificaciones, seguridad y cumplimiento</b> .....	<b>17</b>
Especificaciones físicas.....	17
Especificaciones de gestión de energía .....	17
Consumo de energía .....	17
Especificaciones de energía (requisitos de entrada CA).....	17
Especificaciones de funcionamiento.....	17
Especificaciones de almacenamiento.....	18
Cumplimiento con la normativa y seguridad.....	18
Dispositivo de clase A según la FCC .....	18
Industry Canada.....	18
Información NOM (sólo en México).....	19
Eliminación adecuada del equipo Dell.....	19
RoHS de la Unión Europea.....	19





Este prólogo contiene la siguiente información:

- “Descripción general de la guía” en la página 5
- “Documentos relacionados” en la página 5
- “Contacto con Dell” en la página 5

## Descripción general de la guía

- Capítulo 1, “Acerca del PowerConnect Controladores Serie W-3000” en la página 7 proporciona una descripción general detallada del hardware de los tres controladores del controlador Serie W-3000: el W-3200, el W-3400 y el W-3600.
- Capítulo 2, “Instalación del Controladores Serie W-3000” en la página 13 proporciona instrucciones de montaje en rack y de instalación.
- Apéndice A, “Especificaciones, seguridad y cumplimiento” en la página 17 incluye especificaciones técnicas del producto, así como información de seguridad y de cumplimiento de normativas.

## Documentos relacionados

En este manual se hace referencia a la siguiente documentación y se consideran fuente adicional de documentación necesaria para la correcta instalación y gestión de un controlador Dell:

- *Guía de inicio rápido de Dell PowerConnect ArubaOS*
- *Manual del usuario de Dell PowerConnect ArubaOS*
- *Referencia de la línea de comandos de Dell PowerConnect ArubaOS 5.0*

## Contacto con Dell

Soporte en sitio web	
Sitio principal	<a href="http://www.dell.com">www.dell.com</a>
Sitio de soporte	<a href="http://support.dell.com">support.dell.com</a>
Documentación de Dell	<a href="http://support.dell.com/manuals">support.dell.com/manuals</a>



Los controladores PowerConnect Serie W-3000 consta de tres controladores LAN inalámbricos de uso profesional. Estos controladores conectan, controlan e integran de forma inteligente puntos de acceso inalámbricos (AP) y monitores aéreos (AM) en un sistema LAN cableado.

Los controladores PowerConnect Serie W-3000 se fabrica en los siguientes modelos:

- Controlador W-3200 multiservicio  
El W-3200 es capaz de admitir hasta 32 puntos de acceso externos conectados.
- Controlador W-3400 multiservicio  
El W-3400 es capaz de admitir hasta 64 puntos de acceso externos conectados.
- Controlador W-3600 multiservicio  
El W-3600 es capaz de admitir hasta 128 puntos de acceso externos conectados.



---

**Nota:** las licencias de puntos de acceso relacionados con las funciones se cuentan de forma independiente y además de las licencias de actualización de puntos de acceso. Póngase en contacto con un representante de Dell para obtener más información sobre las opciones de licencias y la capacidad de soporte.

---

## Requisitos mínimos de software

Los controladores Serie W-3000 requiere ArubaOS 5.0.2 o posterior.



---

**Nota:** el controlador maestro, su controlador maestro redundante y todos sus controladores locales deben ejecutarse con la misma versión de ArubaOS. Una vez actualizada la red e instalado un controlador Serie W-3000 en la red, verifique que la versión de software de su controlador coincide con la del resto de la red. Si la versión enviada con el controlador es anterior a la versión actualizada de su red, debe actualizar el código del controlador para que coincida con el del resto de la red.

---

## Lista de comprobación del paquete

- Controladores Serie W-3000
- Cable de alimentación de CA (depende del país)
- Soportes de montaje en rack con hardware (para montaje en rack)
- Cable plano serie (RJ-45)
- Pies de caucho (para instalación en superficie horizontal)
- Adaptador de puerto serie de consola (RJ-45 a DB9)
- *Guía de inicio rápido de Dell PowerConnect ArubaOS*
- *Acuerdo de licencia de usuario final (EULA)*
- *Documento Información de seguridad, medioambiental y normativa (SERI)*
- *Documento Información de garantía y soporte (WSI)*



---

**Nota:** póngase en contacto con la tienda si detecta alguna anomalía, nota que falta algo o descubre que hay piezas dañadas. Si es posible, guarde la caja y el material de protección original. Utilice este material para volver a empaquetar la unidad y enviarla a la tienda si es necesario.

---



---

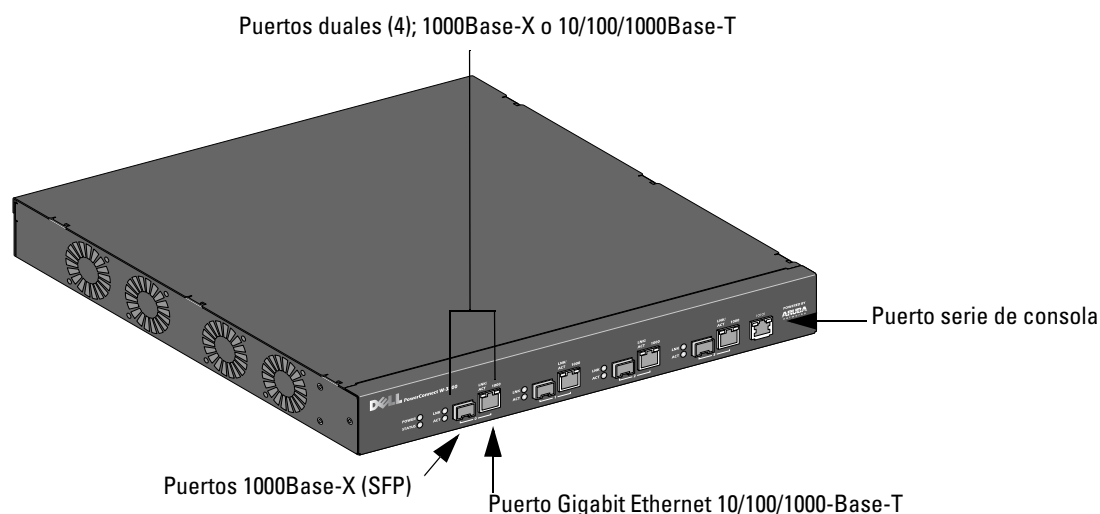
**Nota:** hay accesorios opcionales, como módulos SFP, disponibles para su uso con los controladores Serie W-3000; se venden por separado. Póngase en contacto con un representante de Dell para obtener más información y ayuda.

---

## Descripción general del modelo

La descripción general del modelo de hardware físico de los controladores Serie W-3000 se aplica a los tres modelos de la Serie. La diferencia entre los tres modelos del controlador depende de la licencia adquirida. El modelo del controlador descrito en las ilustraciones de este capítulo es el W-3200.

**Figura 1** Vista frontal del W-3200



---

**Nota:** los puertos 0-3 son duales y pueden utilizar conexiones 1000Base-X o 10/100/1000Base-T. No obstante, la conexión 1000Base-X de fibra tiene prioridad sobre la conexión 10/100/1000Base-T de cobre. Si se detecta un enlace en la interfaz 1000Base-X, la conexión 10/100/1000Base-T se desconecta.

---

### Puertos 1000Base-X (SFP)

Existen cuatro puertos 1000Base-X de combinación para conectividad de fibra y están pensados para su uso con SFP de Dell (miniGBIC).

Si quiere adquirir módulos SFP compatibles, póngase en contacto con un representante de Dell para obtener más información o ayuda.



---

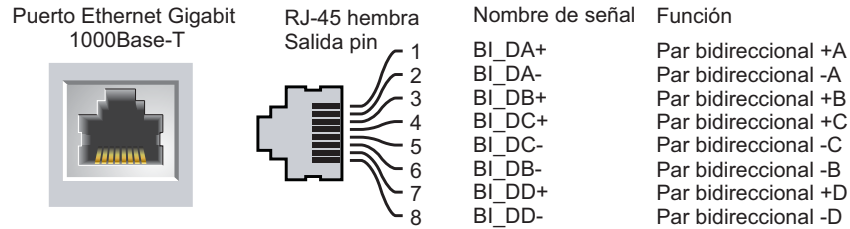
**Nota:** Dell prueba y da soporte a ópticas Dell en sus sistemas de controladores. Las ópticas de terceros no se prueban ni se soportan; por lo tanto, Dell no garantiza la correcta funcionalidad de ópticas de terceros.

---

## Puertos Gigabit Ethernet 10/100/1000Base-T

Hay cuatro puertos Gigabit Ethernet 10/100/1000Base-T (RJ-45). Gigabit Ethernet utiliza los ocho cables y cada par se utiliza de modo bidireccional. Esto significa que algunos pares se usan para transmisión de datos, y también para recepción. La [Figura 2](#) ilustra los pines CAT-5 de un conector RJ-45. Los pines CAT-5 encajan con los siguientes pines de un puerto Gigabit Ethernet 10/100/1000Base-T: 1/2, 3/6, 4/5 y 7/8.

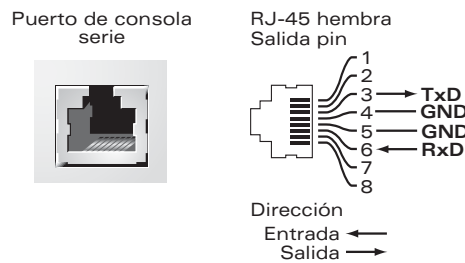
**Figura 2** Pines del puerto Gigabit Ethernet



## Puerto serie de consola

Se proporciona un puerto de consola para su conexión a un terminal y poder gestionar directamente de forma local. El conector hembra RJ-45 del puerto acepta un cable serie RS-232 con conector macho.

**Figura 3** Pines del puerto serie de consola



Los parámetros de comunicación del puerto serie de consola se indican en la [Tabla 1](#).

**Tabla 1** Configuración del terminal de consola

Velocidad en baudios	Bits de datos	Paridad	Bits de parada	Control del flujo
9600	8	Ninguno	1	Ninguno

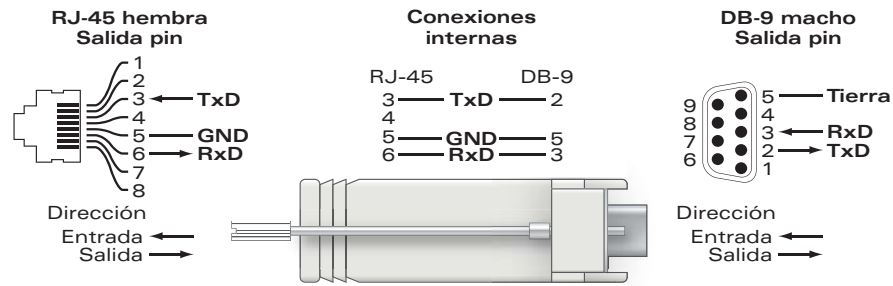


**Precaución:** no conectar un punto de acceso al puerto serie de consola. El puerto serie de consola sólo es compatible con dispositivos RS-232. Los puntos de acceso no son dispositivos -RS-232, por lo que no se admiten.

## Adaptador de puerto serie de consola

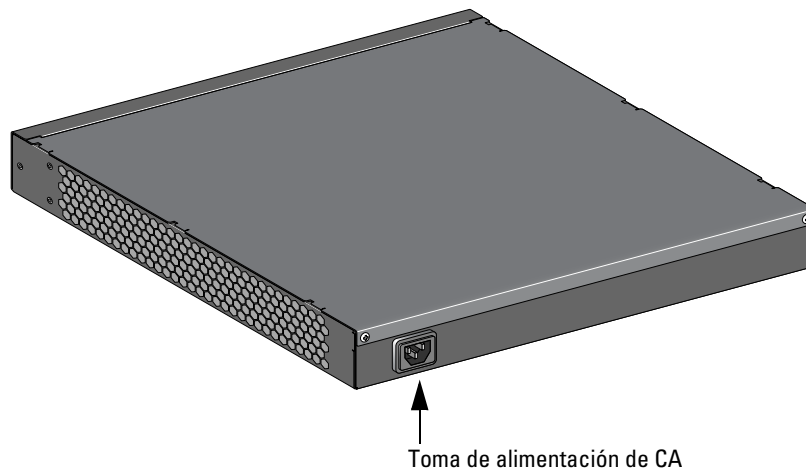
Se puede utilizar un adaptador modular para convertir el conector RJ-45 (hembra) en DB9 (macho). Consulte la [Figura 4](#) para obtener más información.

**Figura 4** Conversión de RJ-45 (hembra) a adaptador modular DB-9 (macho)



La [Figura 5](#) representa la vista posterior del W-3200.

**Figura 5** Vista posterior del W-3200



## Toma de alimentación de CA

El controlador Serie W-3000 admite alimentación CA integrada y la toma de corriente de CA situada en la parte posterior de la unidad se utiliza con un cable de alimentación de CA (que varía según el país). Consulte ["Especificaciones de gestión de energía"](#) en la [página 17](#) para obtener más información sobre las especificaciones de alimentación.

## Indicadores LED de estado

**Tabla 2** Controladores Serie W-3000 Indicadores LED de estado

LED	Función	Indicador	Estado
POWER	Indicador de estado de alimentación	Encendido (verde fijo)	Encendido
		Apagado	Sin alimentación

**Tabla 2** Controladores Serie W-3000 Indicadores LED de estado

LED	Función	Indicador	Estado
STATUS	Indicador de estado del módulo	Encendido (verde fijo)	El dispositivo está operativo
		Encendido (rojo fijo)	Dispositivo con errores
		Encendido (naranja fijo)	El dispositivo está cargando software
		Apagado	Sin alimentación
Puertos LNK 1000Base-X	Indicador de estado del enlace	Encendido (verde fijo)	Enlace establecido
		Apagado	No hay enlace en el puerto
Puertos ACT 1000Base-X	Indicador de estado de actividad	Encendido (verde parpadeando)	El puerto transmite o recibe datos
		Apagado	Sin actividad
Puertos LNK/ACT 10/100/1000Base-T	Indicador de estado de enlace/actividad	Encendido (verde fijo)	Enlace establecido
		Encendido (verde parpadeando)	El puerto transmite o recibe datos
		Apagado	No hay enlace en el puerto
Puertos 1000 10/100/1000Base-T	Indicador de velocidad de la interfaz	Encendido (verde fijo)	Velocidad de interfaz 1000 Mbps en uso
		Apagado	Velocidad de interfaz 10/100 Mbps en uso





Las siguientes herramientas y equipo son necesarios para poder instalar los controladores Dell PowerConnect Serie W-3000:

- Soporte de montaje en rack (2, no se usan en la instalación sobre superficie horizontal)
- Destornilladores adecuados
- Cable de alimentación de CA (depende del país)



---

**Advertencia:** antes de llevar a cabo el siguiente procedimiento, revise las instrucciones de seguridad incluidas con el controlador.

---

### Para rack de telecomunicaciones:

- Tornillos de estrella 6-32 x 1/4" (6, incluidos)
- Tornillos de estrella 12-24 x 5/8" (4, incluidos)

### Para rack de servidor:

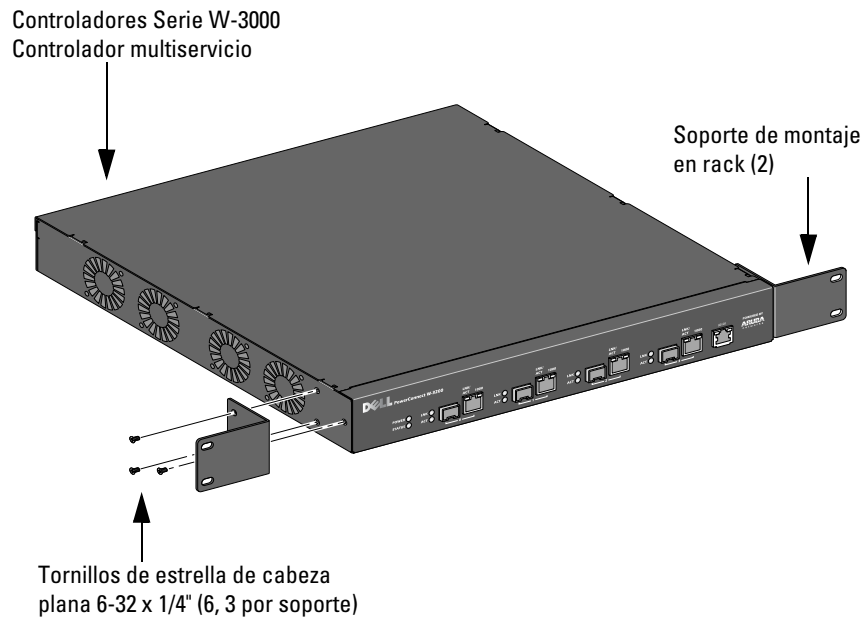
- Tornillos de estrella 6-32 x 1/4" (6, incluidos)
- Tornillos de estrella M6 x 20 mm (4, incluidos)
- Tuercas cuadradas M6 (4, incluidas) o clips cuadrados M6 (4, incluidos)

## Instalación en un rack de telecomunicaciones

Para instalar los controladores Serie W-3000 en un sistema en rack de 48,26 cm:

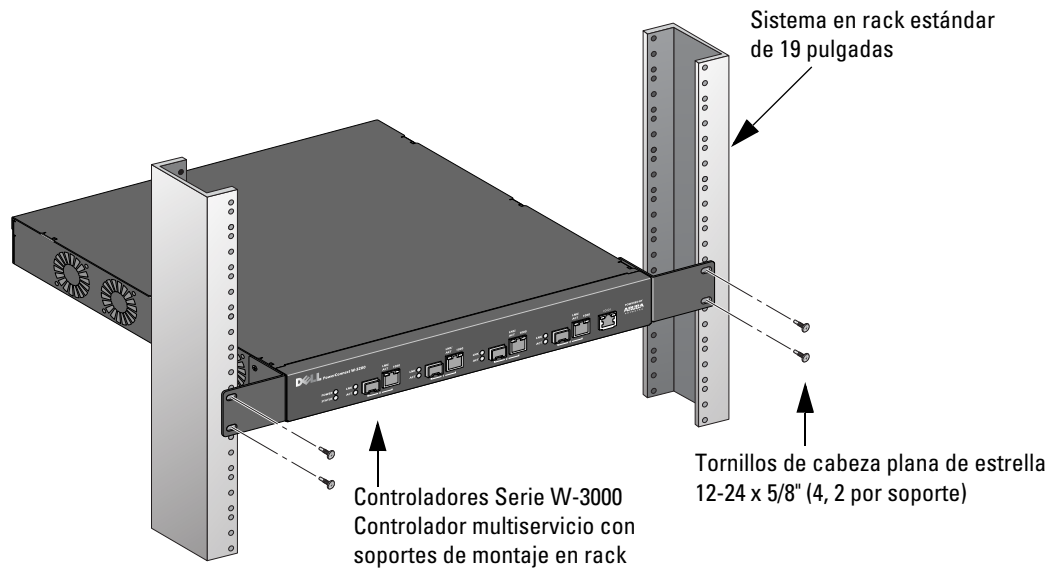
1. Coloque un soporte de montaje en rack sobre los orificios de montaje de uno de los laterales del controlador (consulte la [Figura 1](#)).
2. Fije el soporte al controlador con tres tornillos de estrella 6-32 x 1/4" y un destornillador adecuado.
3. Repita los mismos pasos en el otro lateral del controlador.

**Figura 1** Soportes de montaje en rack



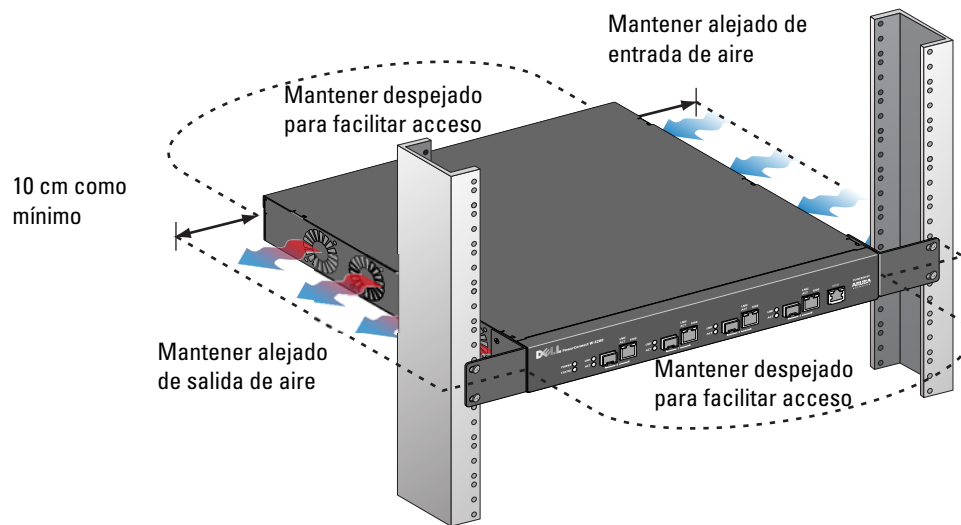
4. Monte el controlador en el sistema en rack de su empresa con ayuda de cuatro tornillos planos de estrella 12-24 x 5/8" y el destornillador adecuado (consulte la [Figura 2](#)).

**Figura 2** Instalación de montaje en rack



5. Deje como mínimo 10 cm de espacio a izquierda y derecha de la unidad para dejar que se ventile bien y circule el aire (consulte la [Figura 3](#)).
6. Deje espacio adicional delante y detrás de la unidad para poder acceder a los cables de alimentación, de red y a los indicadores de estado de los LED (consulte la [Figura 3](#)).

**Figura 3** Requisitos de flujo de aire



7. Conecte el cable de alimentación de CA (varía según el país) a la parte posterior de la unidad.
8. Enchufe el extremo opuesto del cable de alimentación a una toma de corriente para alimentar el controlador.

## Instalación en un rack de servidor

Para instalar un uno de los controladores Serie W-3000 en un sistema en rack de servidor de 48,26 cm:



**Nota:** las siguientes instrucciones describen la instalación del controlador en un rack con orificios cuadrados no roscados. Para un rack con orificios redondeados no roscados, utilice las tuercas de clip suministradas.

1. Coloque un soporte de montaje en rack sobre los orificios de montaje de uno de los laterales del controlador (consulte la [Figura 1](#)).
2. Fije el soporte al controlador con tres tornillos de estrella 6-32 x 1/4" y un destornillador adecuado.
3. Repita los mismos pasos en el otro lateral del controlador.
4. Instale las cuatro tuercas cuadradas.
  - a. Comience a insertar el saliente inferior de la tuerca cuadrada en la abertura situada en la parte posterior del rail.
  - b. Inserte el extremo pequeño de la herramienta de instalación de tuercas cuadradas por la abertura del rail (desde delante) y enganche la herramienta en el saliente superior de la tuerca cuadrada.
  - c. Empuje la tuerca cuadrada en el rail mientras gira la herramienta hacia arriba y tira de ella hasta que note que el saliente superior de la tuerca cuadrada encaja en su posición.
5. Monte el controlador en el sistema en rack de su empresa con ayuda de cuatro tornillos de estrella M6 x 20 mm y el destornillador adecuado.
6. Deje como mínimo 10 cm de espacio a izquierda y derecha de la unidad para dejar que se ventile bien y circule el aire (consulte la [Figura 3](#)).
7. Deje espacio adicional delante y detrás de la unidad para poder acceder a los cables de alimentación, de red y a los indicadores de estado de los LED (consulte la [Figura 3](#)).
8. Conecte el cable de alimentación de CA (varía según el país) a la parte posterior de la unidad.

9. Enchufe el extremo opuesto del cable de alimentación a una toma de corriente para alimentar el controlador.



---

**Nota:** los controladores Serie W-3000 no tiene interruptor de encendido/apagado. La alimentación de esta unidad se controla enchufando o desenchufando el cable de corriente de la toma de pared.

---

## Instalación en superficie plana

Para instalar un controlador Serie W-3000 en una superficie plana, como una mesa:

1. Inserte los cuatro pies de goma de montaje en la parte inferior de la unidad.
2. Fije los biseles laterales encajándolos en su posición.
3. Coloque la unidad en una superficie lisa y estable.

## Configuración inicial y conectividad de la red

Una vez concluida la instalación física, lleve a cabo la configuración inicial del controlador para configurar la dirección IP y otra información básica del sistema. Para obtener toda la información e instrucciones, consulte la Guía de inicio rápido de *ArubaOS* para la versión del software instalado en su controlador.

## Extracción

Para extraer un controlador Serie W-3000 de un sistema en rack de 48,26 cm:

1. Desconecte el controlador de la corriente desenchufando el cable de alimentación de la toma de pared.
2. Desconecte cualquier otro cable o dispositivo conectado al controlador.
3. Afloje los cuatro tornillos de montaje en rack que fijan el controlador al sistema en rack de la empresa.
4. Extraiga el controlador del sistema en rack.

### Especificaciones físicas

- Dimensiones del dispositivo (sin soportes de montaje en rack) (AlxAnxPr):
  - Todos los modelos: 1,75" x 13,8" x 11,7"
  - Todos los modelos: 44 mm x 351 mm x 297 mm

Peso del dispositivo (con soportes de montaje en rack):

- W-3200: 3,2 kg
- W-3400/W-3600: 3,4 kg
- Dimensiones de envío (AlxAnxPr):
  - Todos los modelos: 6,5" x 18,2" x 16,5"
  - Todos los modelos: 165 mm x 462 mm x 419 mm
- Peso de envío:
  - W-3200: 4,3 kg
  - W-3400/W-3600: 4,4 kg

### Especificaciones de gestión de energía

#### Consumo de energía

- W-3200: 35 W máximo
- W-3400: 45 W máximo
- W-3600: 60 W máximo

#### Especificaciones de energía (requisitos de entrada CA)

- W-3200:
  - Voltaje de entrada CA: 90-264 V~, entrada universal
  - Corriente de entrada CA: 1,5 A
  - Frecuencia de entrada CA: 47-63 Hz
- W-3400/W-3600:
  - Voltaje de entrada CA: 90-264 V~, entrada universal
  - Corriente de entrada CA: 2,2 A
  - Frecuencia de entrada CA: 47-63 Hz

### Especificaciones de funcionamiento

- Rango de temperaturas de funcionamiento: de 0 °C a 40 °C
- Rango de humedad de funcionamiento: del 5% al 95% (HR), sin condensación

## Especificaciones de almacenamiento

- Rango de temperaturas de almacenamiento: de 0 °C a 50 °C
- Rango de humedad de almacenamiento: del 5% al 95% (HR), sin condensación

## Cumplimiento con la normativa y seguridad

Dell proporciona documentación en varios idiomas relativa a las restricciones concretas de cada país, así como información adicional de seguridad y normativas para todos los productos de hardware de Dell. El documento Información normativa, medioambiental y de seguridad sobre la Serie W de Dell PowerConnect se incluye con este producto.



---

**Precaución:** el uso de controles o ajustes de rendimiento o procedimientos que no se describan en este manual podrían exponerle a riesgo de radiación peligrosa.

---

Este producto cumple lo descrito en el 21 CFR capítulo 1, subcapítulo J, apartado 1040.10, y el IEC 60825-1: 1993, A1: 1997, A2: 2001, IEC 60825-2: 2000.

Para seguir garantizando el cumplimiento con la norma anterior sobre seguridad de láser, sólo se deben instalar en los productos de Dell módulos de clase 1 de proveedores aprobados.

### Dispositivo de clase A según la FCC

Se ha comprobado que este equipo cumple los límites de un dispositivo digital de clase A, según lo descrito en el apartado 15 de la normas de la FCC. Los límites están diseñados para proporcionar protección razonable frente a las interferencias dañinas que se producen cuando el equipo se utiliza en un entorno comercial. Este equipo genera, utiliza y puede radiar energía en forma de frecuencias de radio y, si no se instala según el manual de instrucciones, podría generar interferencias dañinas a las comunicaciones de radio. Es bastante probable que el uso de este equipo en áreas residenciales produzca interferencias. Si es así, el usuario deberá corregirlas por su cuenta.

### Industry Canada

Este aparato digital del Clase A cumple la norma canadiense ICES-003.

Cet appareil numérique de la classe A est conforme à la norme NMB-003 du Canada.

## Información NOM (sólo en México)

La siguiente información se proporciona en el dispositivo descrito en este documento, según los requisitos de las normas mexicanas oficiales (NOM):

Importador: Dell Inc. de Mexico, S.A. de C.V.  
Paseo de la Reforma 2620-11° Piso  
Col. Lomas Atlas  
11950 México, D.F.

Número de modelo: 3200

- Voltaje de suministro: 90-264 V CA
- Frecuencia: 47-63 Hz
- Consumo de corriente: 1,5 A

Número de modelo: 3400/3600

- Voltaje de suministro: 90-264 V CA
- Frecuencia: 47-63 Hz
- Consumo de corriente: 2.2 A

## Eliminación adecuada del equipo Dell

Para obtener la información más reciente sobre el cumplimiento de las normativas medioambientales globales y los productos de Dell vaya a nuestro sitio web en [www.dell.com](http://www.dell.com).

## RoHS de la Unión Europea

**RoHS**

Los productos de Dell también cumplen la directiva de restricción de sustancias peligrosas de la UE 2002/95/EC (RoHS). La RoHS limita el uso de determinados materiales peligrosos en la fabricación de equipos electrónicos y eléctricos. En concreto, los materiales restringidos en la directiva RoHS son el plomo (incluido el plomo soldado que se emplea en el ensamblaje de circuitos impresos), el cadmio, el mercurio el cromo hexavalente y el bromino. Algunos productos de Dell están sujetos a exenciones incluidas en el Anexo 7 de la directiva RoHS (el plomo soldado empleado en el ensamblaje de circuitos impresos). Los productos y el empaquetado se marcarán con la etiqueta “RoHS” a la izquierda indicando el cumplimiento de esta directiva.





# **Dell PowerConnect**

# **Controladores Série W-3000**

## **Guia de instalação**



## **Copyright**

© 2010 Aruba Networks, Inc. AirWave®, Aruba Networks®, Aruba Mobility Management System® e outras marcas registradas são marcas comerciais da Aruba Networks, Inc. Dell™, o logotipo DELL™ e PowerConnect™ são marcas comerciais da Dell Inc.

Todos os direitos reservados. As especificações deste manual estão sujeitas a alterações sem aviso prévio.

Fabricado nos EUA. As outras marcas comerciais que aparecem neste manual pertencem às suas respectivas empresas.

## **Código de fonte aberta**

Alguns produtos da Aruba contêm código de software de fonte aberta desenvolvido por terceiros, incluindo código de software para licença pública geral (GPL) GNU, licença pública menos generalizada (“LGPL”) GNU ou outras licenças de fonte aberta. O código de fonte aberta pode ser encontrado neste site:

[http://www.arubanetworks.com/open\\_source](http://www.arubanetworks.com/open_source)

## **Aviso legal**

O uso de plataformas de switching e softwares da Aruba Networks, Inc., por pessoas físicas ou jurídicas, na terminação de outros dispositivos clientes VPN de outros fornecedores constitui a plena aceitação da responsabilidade dessa pessoa física ou jurídica por tal ação e isenta completamente a Aruba Networks, Inc. de todo e qualquer processo legal que possa ser movido contra a mesma com relação à violação dos direitos de copyright em nome desses fornecedores.

<b>Sobre este guia</b> .....	<b>5</b>
Visão geral do guia.....	5
Documentos relacionados.....	5
Como entrar em contato com a Dell.....	5
<b>Capítulo 1</b> <b>Sobre os Controladores Série W-3000 PowerConnect</b> .....	<b>7</b>
Requisitos mínimos de software .....	7
Lista de verificação da embalagem .....	7
Visão geral do modelo .....	8
Portas 1000Base-X (SFP).....	8
Portas Gigabit Ethernet 10/100/1000Base-T .....	9
Porta serial do console.....	9
Adaptador da porta serial do console .....	9
Tomada de energia CA (AC) .....	10
LEDs indicadores de status .....	10
<b>Capítulo 2</b> <b>Instalação dos Controladores Série W-3000</b> .....	<b>13</b>
Para um rack de telecomunicações: .....	13
Para um rack de servidores:.....	13
Instalação em um rack de telecomunicações .....	13
Instalação em um rack de servidores.....	15
Implantação sobre a mesa .....	16
Configuração inicial e conectividade da rede.....	16
Remoção .....	16
<b>Apêndice A</b> <b>Especificações, segurança e conformidade</b> .....	<b>17</b>
Especificações físicas.....	17
Especificações de gerenciamento de energia.....	17
Consumo de energia .....	17
Especificações de energia (requisitos de entrada CA [AC]) .....	17
Especificações de operação .....	18
Especificações de armazenamento .....	18
Segurança e conformidade com as normas.....	18
Dispositivo de classe A em conformidade com a FCC.....	18
Indústria do Canadá.....	18
Informações sobre a NOM (somente para o México) .....	19
Descarte adequado dos equipamentos da Dell .....	19
RoHS da União Europeia .....	19



Este prefácio contém as seguintes informações:

- “Visão geral do guia” na página 5
- “Documentos relacionados” na página 5
- “Como entrar em contato com a Dell” na página 5

## Visão geral do guia

- Capítulo 1, “Sobre os Controladores Série W-3000 PowerConnect” na página 7 fornece uma visão geral detalhada do hardware dos três modelos dos controladores da Série W-3000: W-3200, W-3400 e W-3600.
- Capítulo 2, “Instalação dos Controladores Série W-3000” na página 13 fornece instruções de montagem em rack e instalação.
- Apêndice A, “Especificações, segurança e conformidade” na página 17 contém as especificações técnicas do produto e informações sobre segurança e conformidade com as normas.

## Documentos relacionados

A documentação a seguir é abordada neste guia e é considerada como parte do conjunto de documentação completo necessário para a instalação e o gerenciamento bem-sucedidos de um Controlador Dell:

- *Dell PowerConnect ArubaOS Quick Start Guide*
- *Dell PowerConnect ArubaOS User Guide*
- *Dell PowerConnect ArubaOS 5.0 Command Line Reference*

## Como entrar em contato com a Dell

Suporte pelo site	
Site principal	<a href="http://www.dell.com">www.dell.com</a>
Site de suporte	<a href="http://support.dell.com">support.dell.com</a>
Documentação da Dell	<a href="http://support.dell.com/manuals">support.dell.com/manuals</a>



Os Controladores Série W-3000 PowerConnect consistem em três controladores de rede LAN sem fio de classe empresarial. Esses controladores conectam, controlam e integram de forma inteligente pontos de acesso sem fio (APs) e monitores de ar (AMs) em um sistema de rede LAN cabeado.

Os Controladores Série W-3000 PowerConnect consistem nos seguintes modelos:

- W-3200 Controlador multiusuário  
A W-3200 é capaz de suportar até 32 APs conectados em campo.
- W-3400 Controlador multiusuário  
A W-3400 é capaz de suportar até 64 APs conectados em campo.
- W-3600 Controlador multiusuário  
A W-3600 é capaz de suportar até 128 APs conectados em campo.



---

**Nota:** Licenças para pontos de acesso relacionadas a recursos são contadas separadamente e como adicional às licenças de atualização para pontos de acesso. Entre em contato com um representante de vendas da Dell para obter detalhes completos sobre opções de licenciamento de software e capacidade de suporte.

---

## Requisitos mínimos de software

Os Controladores Série W-3000 requerem o ArubaOS 5.0.2 ou superior.



---

**Nota:** O Controlador mestre, seu Controlador mestre redundante e todos os seus controladores locais devem executar a mesma versão do ArubaOS. Depois de atualizar sua rede e instalar os Controladores Série W-3000 em sua rede, verifique se a versão do software do Controlador coincide com os demais componentes da rede. Se a versão fornecida no Controlador for anterior à versão com a qual atualizou sua rede, você deverá atualizar a codificação Controlador para coincidir com os demais componentes da rede.

---

## Lista de verificação da embalagem

- Controladores Série W-3000
- Cabo de alimentação CA (AC) (específico do país)
- Suportes para montagem em rack com ferramentas (para montagem em rack)
- Cabo serial comum (RJ-45)
- Pés de borracha (para implantações sobre a mesa)
- Adaptador da porta serial do console (RJ-45 para DB9)
- *Dell PowerConnect ArubaOS Quick Start Guide*
- *Contrato de Licença de Usuário Final (EULA)*
- *Documento de informações sobre segurança, ambiente e regulamentações (SERI)*
- *Documento de informações sobre garantia e suporte (WSI)*



**Nota:** Informe seu fornecedor caso alguma peça esteja incorreta, faltando ou danificada. Se possível, mantenha a caixa, incluindo os materiais para embalagem originais. Use esses materiais para re-embalar e devolver o produto ao fornecedor, se necessário.

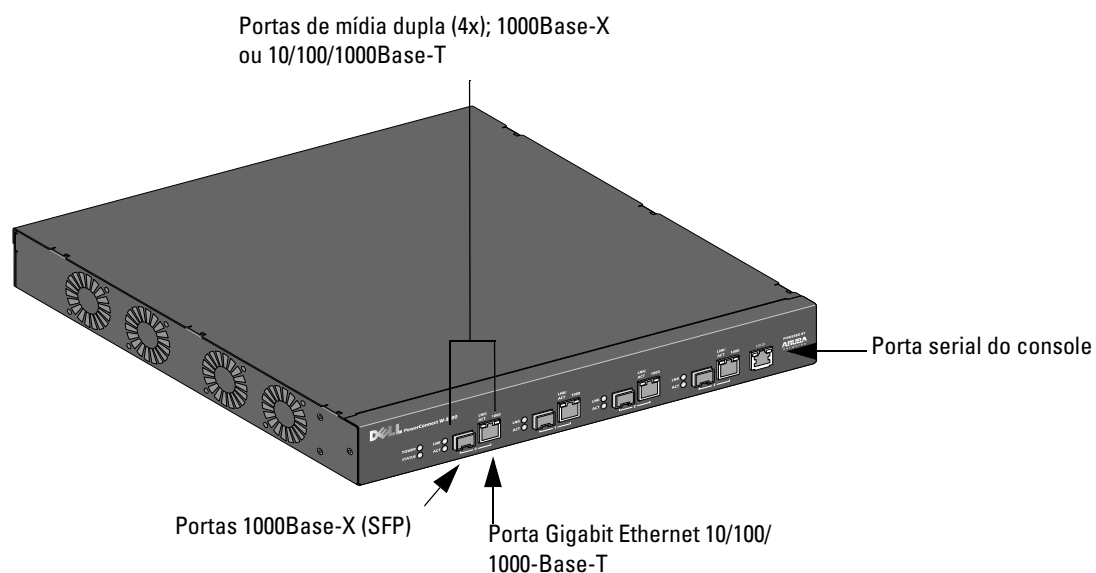


**Nota:** Acessórios opcionais, como módulos SFP, estão disponíveis para uso com os Controladores Série W-3000 e são vendidos separadamente. Entre em contato com um representante da Dell para obter detalhes e assistência.

## Visão geral do modelo

A visão geral do modelo de hardware físico dos Controladores Série W-3000 abrange todos os modelos da série. A diferença entre os três modelos de Controlador depende do nível de licença adquirido. O modelo de Controlador mostrado nas ilustrações deste capítulo é o W-3200.

**Figura 1** Vista frontal do W-3200



**Nota:** As portas 0 a 3 são portas de mídia dupla e podem utilizar as conexões 1000Base-X ou 10/100/1000Base-T fornecidas. Entretanto, a conexão de fibra óptica 1000Base-X tem prioridade sobre a conexão de cobre 10/100/1000Base-T. Se uma conexão for detectada para a interface 1000Base-X, a conexão 10/100/1000Base-T será desabilitada.

### Portas 1000Base-X (SFP)

Há somente quatro portas de combinação 1000Base-X para conexão de fibra e elas devem ser usadas com SFPs Dell (mini GBICs).

Para adquirir módulos SFP compatíveis, entre em contato com um representante da Dell para obter detalhes e assistência.



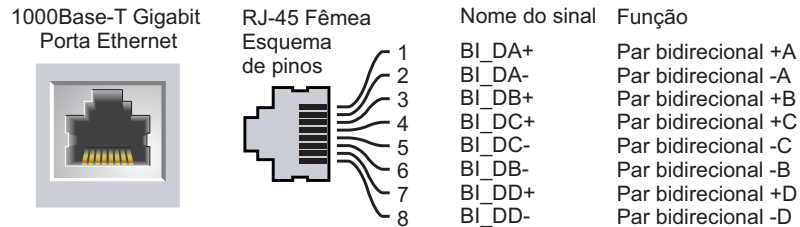
**Nota:** A Dell testa e suporta dispositivos ópticos Dell nos seus sistemas de controladores. Dispositivos ópticos de terceiros não são testados nem suportados. Portanto, a Dell não garante a funcionalidade adequada de dispositivos ópticos de terceiros.



## Portas Gigabit Ethernet 10/100/1000Base-T

Há quatro portas 10/100/1000Base-T Gigabit Ethernet (RJ-45). A porta Gigabit Ethernet usa os oito fios e cada par é usado de forma bidirecional, o que significa que alguns pares são usados tanto para transmitir quanto para receber dados. A [Figura 2](#) ilustra o esquema de pinos CAT-5 encontrado em um conector RJ-45. O esquema de pinos CAT-5 forma pares entre os seguintes pinos de uma porta Gigabit Ethernet 10/100/1000Base-T: 1/2, 3/6, 4/5 e 7/8.

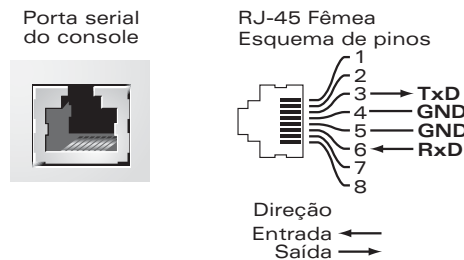
**Figura 2** Esquema de pinos da porta Gigabit Ethernet



## Porta serial do console

Uma porta serial do console é fornecida para conexão a um terminal, permitindo o gerenciamento direto local. O conector RJ-45 fêmea aceita um cabo serial RS-232 com um conector macho.

**Figura 3** Esquema de pinos da porta serial do console



As configurações de comunicação da porta serial do console são indicadas na [Tabela 1](#).

**Tabela 1** Configurações do terminal do console

Taxa de transmissão	Bits de dados	Paridade	Bits de parada	Controle de fluxo
9600	8	Nenhuma	1	Nenhum

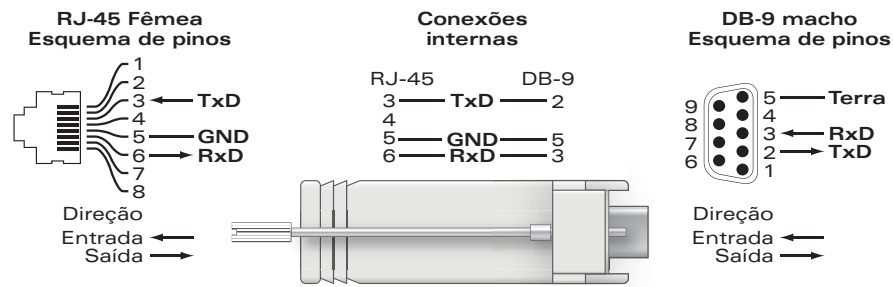


**Cuidado:** Não conecte um ponto de acesso (AP) à porta serial do console. A porta serial do console é compatível somente com dispositivos RS-232. Não há suporte para dispositivos não-RS-232, como pontos de acesso.

## Adaptador da porta serial do console

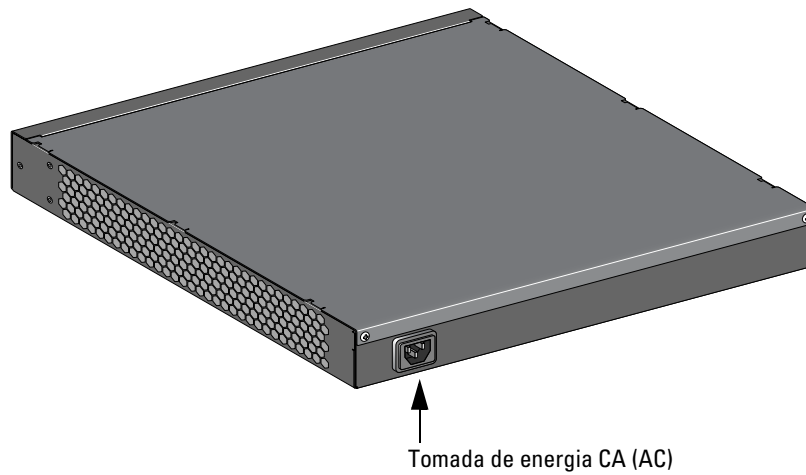
Um adaptador modular pode ser usado para converter o conector RJ-45 (fêmea) em um conector DB9 (macho). Veja a [Figura 4](#) para saber os detalhes completos.

**Figura 4** Conversão do adaptador modular de RJ-45 (fêmea) para DB-9 (macho)



A Figura 5 representa a vista traseira do W-3200.

**Figura 5** Vista traseira do W-3200



### Tomada de energia CA (AC)

Os Controladores Série W-3000 oferecem suporte à energia CA (AC), e a tomada de energia CA (AC) localizada na parte traseira do produto deve ser usada com um cabo de alimentação CA (AC) (específico do país). Consulte os detalhes das especificações de alimentação em [“Especificações de gerenciamento de energia”](#) na página 17.

### LEDs indicadores de status

**Tabela 2** LEDs indicadores de status dos Controladores Série W-3000

LED	Função	Indicador	Status
POWER	Indicador de status da alimentação de entrada	Aceso (verde sólido)	Alimentação ativada
		Apagado	Sem alimentação
STATUS	Indicador de status do módulo	Aceso (verde sólido)	Dispositivo em operação
		Aceso (vermelho sólido)	Falha no dispositivo
		Aceso (âmbar sólido)	O dispositivo está carregando o software
		Apagado	Sem alimentação

**Tabela 2** LEDs indicadores de status dos Controladores Série W-3000

LED	Função	Indicador	Status
LNK Portas 1000Base-X	Indicador de status da conexão	Aceso (verde sólido)	Conexão estabelecida
		Apagado	Porta sem conexão
ACT Portas 1000Base-X	Indicador de status da atividade	Aceso (piscando em verde)	A porta está transmitindo ou recebendo dados
		Apagado	Sem atividade
LNK/ACT Portas 10/100/1000Base-T	Indicador de status da conexão/atividade	Aceso (verde sólido)	Conexão estabelecida
		Aceso (piscando em verde)	A porta está transmitindo ou recebendo dados
		Apagado	Porta sem conexão
1000 Portas 10/100/1000Base-T	Indicador de velocidade de interface	Aceso (verde sólido)	Velocidade de interface de 1000 Mbps em uso
		Apagado	Velocidade de interface de 10/100 Mbps em uso



Os seguintes equipamentos e ferramentas são necessários para instalar os Controladores Série W-3000 Dell PowerConnect:

- Suporte para montagem em rack (x2, não usado para instalação sobre a mesa)
- Chaves de fenda adequadas
- Cabo de alimentação CA (AC) (específico do país)



---

**Aviso:** Antes de executar o procedimento a seguir, reveja as instruções de segurança fornecidas com o Controlador.

---

### Para um rack de telecomunicações:

- Parafusos de cabeça chata Phillips de 6-32 x 1/4" (6 fornecidos)
- Parafusos de cabeça chata de Phillips de 12-24 x 5/8" (4 fornecidos)

### Para um rack de servidores:

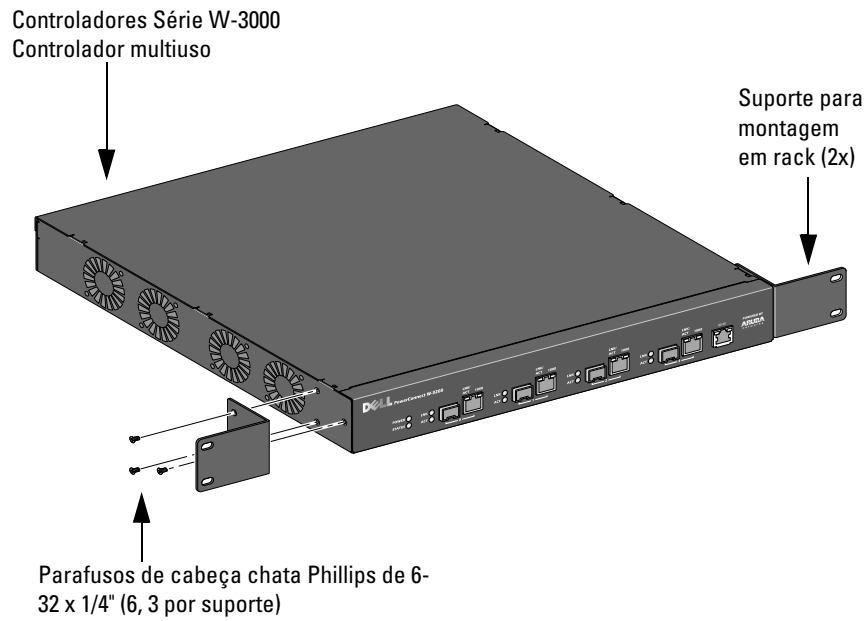
- Parafusos de cabeça chata Phillips de 6-32 x 1/4" (6 fornecidos)
- Parafusos M6 x 20 mm Phillips (4 fornecidos)
- Porcas gaiola M6 (4 fornecidas) ou braçadeiras gaiola M6 (4 fornecidas)

## Instalação em um rack de telecomunicações

Para instalar os Controladores Série W-3000 em um sistema de rack de 19 polegadas (48,26 cm):

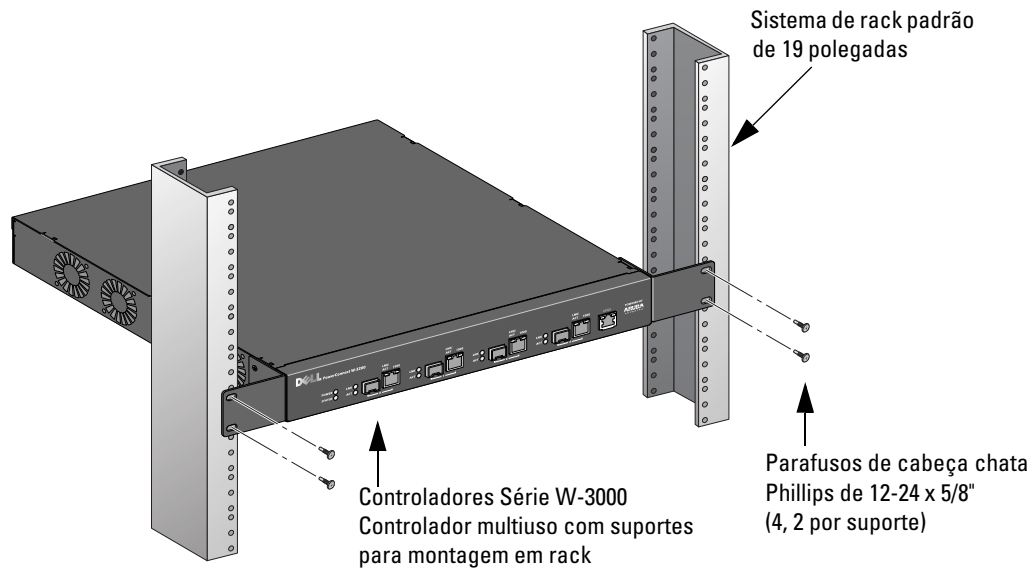
1. Coloque um suporte para montagem em rack sobre os orifícios de montagem em um lado do controlador (veja a [Figura 1](#)).
2. Fixe o suporte ao controlador usando três parafusos de cabeça chata Phillips de 6-32 x 1/4" e uma chave de fenda adequada.
3. Repita estas etapas no lado oposto do controlador.

**Figura 1** Suportes para montagem em rack



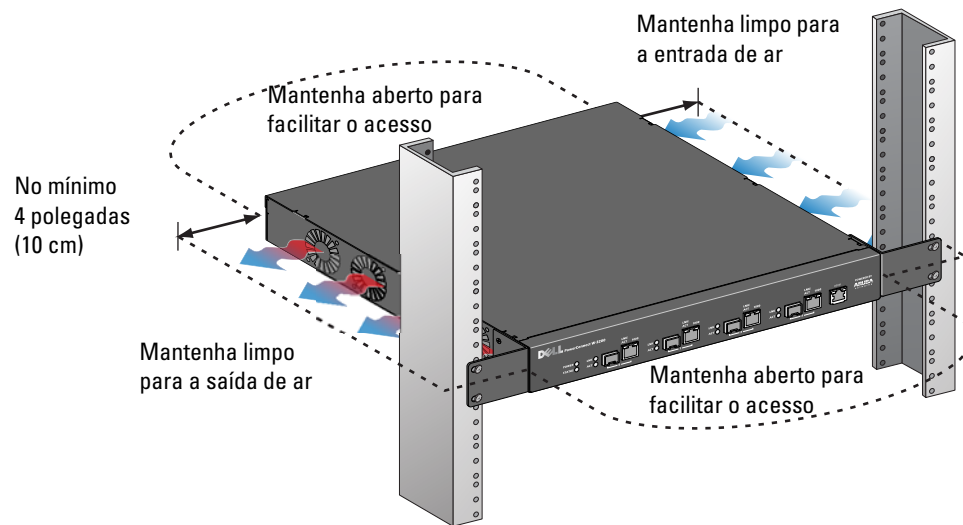
4. Monte o controlador dentro do sistema de rack da sua empresa usando os quatro parafusos de cabeça chata Phillips de 12-24 x 5/8" e uma chave de fenda adequada (veja a [Figura 2](#)).

**Figura 2** Instalação com montagem em rack



5. Deixe um espaço mínimo de 10 cm nos lados esquerdo e direito do produto para permitir o fluxo de ar e a ventilação de maneira adequada (veja a [Figura 3](#)).
6. Deixe um espaço adicional nas partes frontal e traseira do produto para acessar os cabos de alimentação, os cabos de rede e os LEDs indicadores de status (veja a [Figura 3](#)).

**Figura 3** Requisitos de fluxo de ar



7. Conecte o cabo de alimentação CA (AC), específico do país, à parte traseira do produto.
8. Conecte a extremidade oposta do cabo de alimentação a uma tomada elétrica para alimentar o controlador.

## Instalação em um rack de servidores

Para instalar um controlador Série W-3000 em um sistema de rack de servidores de 19 polegadas (48,26 cm):



**Nota:** As instruções a seguir descrevem a instalação do Controlador em um rack com furos quadrados não rosqueados. Para um rack com furos redondos não rosqueados, use as porcas de fixação fornecidas.

1. Coloque um suporte para montagem em rack sobre os orifícios de montagem em um lado do controlador (veja a [Figura 1](#)).
2. Fixe o suporte ao controlador usando três parafusos de cabeça chata Phillips de 6-32 x 1/4" e uma chave de fenda adequada.
3. Repita estas etapas no lado oposto do controlador.
4. Instale as quatro porcas de fixação.
  - a. Comece inserindo o lábio inferior da porca gaiola sobre a abertura quadrada da parte traseira do trilho.
  - b. Insira a extremidade pequena da ferramenta de instalação de porcas gaiola na abertura do trilho (pela parte frontal) e enganche a ferramenta no lábio superior da porca gaiola.
  - c. Empurre a porca gaiola para o trilho enquanto gira a ferramenta para cima e puxe a ferramenta para trás, em sua direção, até que o lábio superior da porca gaiola encaixe na posição.
5. Monte o controlador dentro do sistema de rack da sua empresa usando os quatro parafusos de cabeça chata Phillips M6 x /20" e uma chave de fenda adequada.
6. Deixe um espaço mínimo de 10 cm nos lados esquerdo e direito do produto para permitir o fluxo de ar e a ventilação de maneira adequada (veja a [Figura 3](#)).
7. Deixe um espaço adicional nas partes frontal e traseira do produto para acessar os cabos de alimentação, os cabos de rede e os LEDs indicadores de status (veja a [Figura 3](#)).
8. Conecte o cabo de alimentação CA (AC), específico do país, à parte traseira do produto.

9. Conecte a extremidade oposta do cabo de alimentação a uma tomada elétrica para alimentar o controlador.



---

**Nota:** Os Controladores Série W-3000 não possuem um interruptor liga/desliga. A alimentação da unidade é controlada pela inserção (ou desconexão) do plugue do cabo de alimentação na tomada de força.

---

## Implantação sobre a mesa

Para implantar Controladores Série W-3000 em uma superfície plana como, por exemplo, sobre uma mesa:

1. Insira os quatro pés de montagem de borracha no produto.
2. Acople os engastes laterais encaixando-os no lugar.
3. Coloque o produto em uma superfície plana e rígida.

## Configuração inicial e conectividade da rede

Depois de concluir a instalação física, execute a configuração inicial no Controlador para configurar o endereço IP e outras informações básicas do sistema. Para obter instruções e detalhes completos, consulte o *ArubaOS Quick Start Guide* referente à versão do software instalado em seu Controlador.

## Remoção

Para remover os Controladores Série W-3000 de um sistema de rack de 19 polegadas (48,26 cm):

1. Desconecte a alimentação do controlador retirando o cabo de alimentação da tomada elétrica.
2. Desconecte todos os outros cabos ou dispositivos conectados ao Controlador.
3. Solte os quatro parafusos para montagem em rack que fixam o controlador ao sistema de rack da empresa.
4. Remova o controlador do sistema de rack.



### Especificações físicas

- Dimensões do dispositivo (sem os suportes de montagem em rack) (A x L x P):
  - Todos os modelos: 1,75" x 13,8" x 11,7"
  - Todos os modelos: 44 mm x 351 mm x 297 mm

Peso do dispositivo (com os suportes de montagem em rack):

- W-3200: 7,1 lb/3,2 kg
- W-3400/W-3600: 7,4 lb/3,4 kg
- Dimensões do transporte (A x L x P):
  - Todos os modelos: 6,5" x 18,2" x 16,5"
  - Todos os modelos: 165 mm x 462 mm x 419 mm
- Peso de transporte:
  - W-3200: 9,4 lb/4,3 kg
  - W-3400/W-3600: 9,7 lb/4,4 kg

### Especificações de gerenciamento de energia

#### Consumo de energia

- W-3200: no máximo 35 W
- W-3400: no máximo 45 W
- W-3600: no máximo 60 W

#### Especificações de energia (requisitos de entrada CA [AC])

- W-3200:
  - Tensão de entrada CA (AC): 90-264 V, entrada universal
  - Corrente de entrada CA (AC): 1,5 A
  - Frequência de entrada CA (AC): 47-63 Hz
- W-3400/W-3600:
  - Tensão de entrada CA (AC): 90-264 V, entrada universal
  - Corrente de entrada CA (AC): 2,2 A
  - Frequência de entrada CA (AC): 47-63 Hz

## Especificações de operação

- Faixa de temperatura operacional: 0°C a 40°C (32°F a 104°F)
- Faixa de umidade operacional: 5% a 95% (UR), sem condensação

## Especificações de armazenamento

- Faixa de temperatura de armazenamento: 0°C a 50°C (32°F a 122°F)
- Faixa de umidade de armazenamento: 5% a 95% (UR), sem condensação

## Segurança e conformidade com as normas

A Dell fornece um documento multilíngue que contém restrições e informações adicionais sobre segurança e normas específicas do país para todos os produtos de hardware da Dell. O documento Dell PowerConnect W-Series Safety, Environmental, and Regulatory Information é fornecido com este produto.



---

**Cuidado:** O uso de controles ou ajustes de desempenho ou procedimentos diferentes dos especificados neste manual pode resultar na exposição à radiação perigosa.

---

Este produto está em conformidade com o capítulo 1 da norma 21 CFR, subcapítulo J, parte 1040.10, e com as normas IEC 60825-1: 1993, A1: 1997, A2: 2001, IEC 60825-2: 2000.

Para garantir a continuidade da conformidade com as normas de segurança para produtos com laser, somente módulos da classe 1 aprovados de nossos fornecedores autorizados devem ser instalados nos produtos da Dell.

### Dispositivo de classe A em conformidade com a FCC

Este equipamento foi testado e considerado em conformidade com os limites estabelecidos para dispositivos digitais de classe A, de acordo com a parte 15 das normas da FCC. Esses limites foram estabelecidos para garantir uma proteção razoável contra interferência prejudicial quando o equipamento for operado em ambientes comerciais. Este equipamento gera, usa e pode radiar energia de radiofrequência e, se não instalado e utilizado de acordo com o manual de instruções, pode causar interferência prejudicial às comunicações de rádio. A operação deste equipamento em áreas residenciais está propensa a causar interferência prejudicial e, nesse caso, o usuário deverá corrigir o problema de interferência por conta própria.

### Indústria do Canadá

Este aparelho digital de classe A está em conformidade com a norma canadense ICES-003.

Cet appareil numérique de la classe A est conforme à la norme NMB-003 du Canada.

## Informações sobre a NOM (somente para o México)

As informações a seguir são fornecidas no dispositivo descrito neste documento em conformidade com os requisitos das normas oficiais do México (NOM):

Importador: Dell Inc. de Mexico, S.A. de C.V.  
Paseo de la Reforma 2620-11° Piso  
Col. Lomas Atlas  
11950 Mexico, D.F.

Número do modelo: 3200

- Tensão de alimentação: 90-264 V CA (AC)
- Frequência: 47-63 Hz
- Consumo de corrente: 1,5 A


Número do modelo: 3400/3600

- Tensão de alimentação: 90-264 V CA (AC)
- Frequência: 47-63 Hz
- Consumo de corrente: 2,2 A

## Descarte adequado dos equipamentos da Dell

Para obter as informações mais atualizadas sobre a conformidade ambiental global e os produtos da Dell, visite nosso site: [www.dell.com](http://www.dell.com).

### RoHS da União Europeia

 Os produtos da Dell também estão em conformidade com a Diretiva 2002/95/EC da União Europeia sobre substâncias prejudiciais (RoHS). A diretiva RoHS da União Europeia restringe o uso de materiais abrasivos específicos na fabricação de equipamentos elétricos e eletrônicos. Especificamente, os materiais restritos sob a Diretiva RoHS são chumbo (incluindo soldas utilizadas em placas de circuitos impressos), cádmio, mercúrio, cromo hexavalente e bromo. Alguns produtos da Dell estão sujeitos às isenções listadas no anexo 7 da Diretiva RoHS (chumbo em soldas utilizadas em placas de circuitos impressos). Os produtos e embalagens serão marcados com o rótulo “RoHS” ilustrado à esquerda para indicar a conformidade com essa diretiva.



# **Dell PowerConnect W-3000 Serisi Denetleyiciler**

## Kurulum Kılavuzu



## **Telif Hakkı**

© 2010 Aruba Networks, Inc. AirWave®, Aruba Networks®, Aruba Mobility Management System®, ve diğer tescilli markalar Aruba Networks, Inc.'nin ticari markalarıdır. Dell™, DELL™ logosu ve PowerConnect™ Dell Inc.'nin ticari markalarıdır.

Her hakkı saklıdır. Bu el kitabındaki spesifikasyonlar haber verilmeksizin değiştirilebilir.

Menşei ABD'dir. Bu el kitabında geçen diğer tüm ticari markalar ilgili şirketlerin kendi mülkiyetindedir.

## **Açık Kaynak Kodu**

Belli başlı Aruba ürünleri, GNU Genel Kamu Lisansı (GPL), GNU Kısıtlı Genel Kamu Lisansı (LGPL) veya diğer Açık Kaynak Lisanslarına tabi yazılım kodları dahil olmak üzere, üçüncü taraflarca geliştirilmiş Açık Kaynak yazılım kodları içerir. Açık Kaynak koduna şu siteden ulaşılabilir:

[http://www.arubanetworks.com/open\\_source](http://www.arubanetworks.com/open_source)

## **Yasal Uyarı**

Aruba Networks, Inc. anahtarlama platformları ve yazılımlarının herhangi bir birey veya şirket tarafından başka satıcıların VPN istemci cihazlarını sonlandırmak amacıyla kullanılması eyleminden doğacak sorumluluk tamamıyla ilgili birey veya şirketin kendisine aittir ve bu eylemde bulunan birey veya şirket, ilgili satıcılar adına telif hakkı ihlalinin dolaylı Aruba Networks, Inc. aleyhine açılacak her türlü hukuk davası bakımından tam tazmin yükümlülüğü altında olacaktır.

<b>Bu Kılavuz Hakkında</b> .....	<b>5</b>	
Kılavuza Genel Bakış .....	5	
İlgili Belgeler .....	5	
Dell ile İletişim .....	5	
<b>Bölüm 1</b>	<b>PowerConnect W-3000 Serisi Denetleyiciler Hakkında</b> .....	<b>7</b>
Minimum Yazılım Gereksinimleri .....	7	
Ambalaj Kontrol Listesi .....	7	
Modele Genel Bakış .....	8	
1000Base-X (SFP) Portları .....	8	
10/100/1000Base-T Gigabit Ethernet Portları .....	9	
Seri Konsol Portu .....	9	
Seri Konsol Portu Bağdaştırıcısı .....	9	
AC Güç Girişi .....	10	
LED Durum Göstergeleri .....	10	
<b>Bölüm 2</b>	<b>W-3000 Serisi Denetleyiciler Kurulumu</b> .....	<b>13</b>
Telekom Rafı için: .....	13	
Sunucu Rafı için: .....	13	
Telekom Rafına Kurulum .....	13	
Sunucu Rafına Kurulum .....	15	
Masaüstüne Yerleştirme .....	15	
Başlangıç Ayarları ve Ağ Bağlanırlığı .....	15	
Sökme .....	16	
<b>Ek A</b>	<b>Spesifikasyonlar, Güvenlik ve Uygunluk</b> .....	<b>17</b>
Fiziki Spesifikasyonlar .....	17	
Güç Yönetimi Spesifikasyonları .....	17	
Güç Tüketimi .....	17	
Güç Spesifikasyonları (AC Giriş Gereksinimleri) .....	17	
Çalıştırma Spesifikasyonları .....	17	
Saklama Spesifikasyonları .....	18	
Güvenlik ve Yönetmelikler Yönünden Uygunluk .....	18	
FCC Sınıf A Cihaz .....	18	
Industry Canada .....	18	
NOM Bilgileri (Yalnızca Meksika için) .....	19	
Dell Ekipmanının Doğru İmhası .....	19	
Avrupa Birliği RoHS (Tehlikeli Maddelerin Kısıtlanması) .....	19	





Bu önsöz şu bilgileri içerir:

- Sayfa 5 “Kılavuza Genel Bakış”
- Sayfa 5 “İlgili Belgeler”
- Sayfa 5 “Dell ile İletişim”

## Kılavuza Genel Bakış

- Sayfa 7, Bölüm 1 “PowerConnect W-3000 Serisi Denetleyiciler Hakkında”, W-3000 Serisi Denetleyiciler içindeki üç denetleyiciler donanımına kapsamlı bir genel bakış sunar: W-3200, W-3400 ve W-3600.
- Sayfa 13, Bölüm 2 “W-3000 Serisi Denetleyiciler Kurulumu”, rafa montaj ve kurulum talimatlarını içerir.
- Sayfa 17, Ek A “Spesifikasyonlar, Güvenlik ve Uygunluk”, ürün teknik spesifikasyonlarını, güvenlik ve yönetmelikler yönünden uygunluk bilgilerini içerir.

## İlgili Belgeler

Bu kılavuzda aşağıdaki belgelere atıfta bulunmaktadır. Söz konusu belgeler, Dell Denetleyici Mobilite Denetleyicisinin başarılı bir şekilde kurulması için gereken belgeler toplamının bir parçası olarak kabul edilmektedir:

- *Dell PowerConnect ArubaOS Hızlı Başlangıç Kılavuzu*
- *Dell PowerConnect ArubaOS Kullanım Kılavuzu*
- *Dell PowerConnect ArubaOS 5.0 Komut Satırı Referansı*

## Dell ile İletişim

Web Sitesi Desteği	
Ana Site	<a href="http://www.dell.com">www.dell.com</a>
Destek Sitesi	<a href="http://support.dell.com">support.dell.com</a>
Dell Belgeleri	<a href="http://support.dell.com/manuals">support.dell.com/manuals</a>



PowerConnect W-3000 Serisi Denetleyiciler, üç adet kurumsal sınıf kablosuz LAN denetleyicisinden oluşur. Bu denetleyiciler, Erişim Noktalarını (AP'ler) ve Hava İzleme Aygıtlarını (AM'ler) kablolu bir LAN sistemine bağlamaya, denetlemeye ve zekice entegre etmeye yarar.

PowerConnect W-3000 Serisi Denetleyiciler şu modellerden oluşur:

- W-3200 Çoklu Hizmet Denetleyicisi  
W-3200, 32 yerleşke bağlantılı AP'yi destekleme yeteneğine sahiptir.
- W-3400 Çoklu Hizmet Denetleyicisi  
W-3400, 64 yerleşke bağlantılı AP'yi destekleme yeteneğine sahiptir.
- W-3600 Çoklu Hizmet Denetleyicisi  
W-3600, 128 yerleşke bağlantılı AP'yi destekleme yeteneğine sahiptir.



**Not:** Özelliklere ilişkin AP lisansları bağımsız olarak ve AP yükseltme lisanslarına ek olarak sayılır. Yazılım lisansı alma seçenekleri ve destek kapasitesine ilişkin ayrıntıların tamamına Dell temsilcinizle görüşerek ulaşabilirsiniz.

## Minimum Yazılım Gereksinimleri

W-3000 Serisi Denetleyiciler, ArubaOS 5.0.2 veya üzeri bir sürüm gerektirir.



**Not:** Ana denetleyici, onun yedeği denetleyici ve tüm yerel denetleyiciler aynı ArubaOS sürümü üzerinde çalıştırılmalıdır. Ağınız yükseltildikten ve W-3000 Serisi Denetleyiciler ağınıza kurulduktan sonra, denetleyicinin üzerindeki yazılım sürümünün ağına geri kalanı ile uyduğuna doğrulayın. denetleyici üzerinde gelen sürüm, ağınıza yükselttiğiniz sürümden önceki bir sürüm ise denetleyici kodunu ağına geri kalanı ile uyulaşacak şekilde güncellemeniz gerekir.

## Ambalaj Kontrol Listesi

- W-3000 Serisi Denetleyiciler
- AC Güç Kablosu (ülkeye özgü)
- Donanım ile birlikte Rafa Montaj Braketleri (rafa montaj için)
- Düz Seri Kablo (RJ-45)
- Kauçuk Ayaklar (masaüstü yerleşimleri için)
- Seri Konsol Portu Bağdaştırıcısı (RJ-45'ten DB9'a)
- *Dell PowerConnect ArubaOS Hızlı Başlangıç Kılavuzu*
- *Son Kullanıcı Lisans Sözleşmesi (EULA)*
- *Güvenlik, Çevre ve Yönetmelik Bilgileri (SERI)* belgesi
- *Garanti ve Destek Bilgileri (WSI)* belgesi



**Not:** Yanlış, eksik veya hasarlı parçalarla ilgili olarak tedarikçinizi bilgilendirin. Mümkünse, orijinal ambalaj malzemelerini içeren karton kutuyu saklayın. İhtiyaç halinde üniteyi yeniden ambalajlayıp tedarikçinize geri göndermek için bu malzemeleri kullanın.

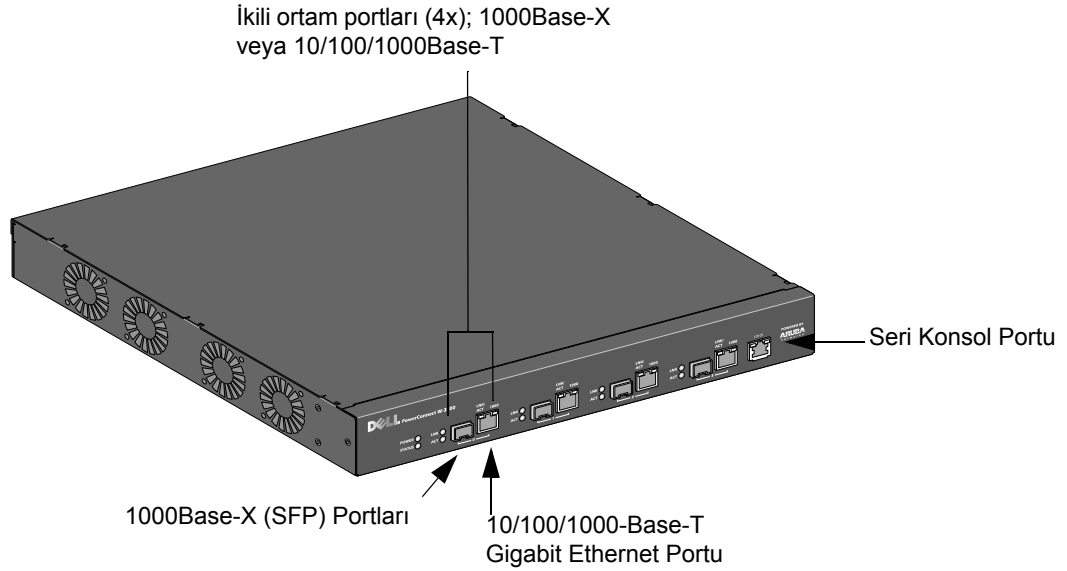


**Not:** W-3000 Serisi Denetleyiciler ile birlikte kullanım için SFP modülleri gibi isteğe bağlı aksesuarlar mevcut olup ayrıca satılmaktadır. Ayrıntılar ve yardım almak için Dell temsilcinizle görüşün.

## Modele Genel Bakış

W-3000 Serisi Denetleyicilerin fiziki donanım modeli genel görünümü seri içindeki üç modelin hepsini kapsar. Üç denetleyici modeli arasındaki fark, satın alınan lisans düzeyine bağlıdır. Bu bölüm boyunca resimlerde gösterilen denetleyici modeli W-3200'dür.

**Şekil 1** W-3200 Önden Görünümü



**Not:** Sıfırdan üçe kadar olan portlar, ikili ortam portlarıdır ve sağlanan 1000Base-X veya 10/100/1000Base-T bağlantılarından birini kullanabilir. Ancak, 1000Base-X fiber bağlantı, 10/100/1000Base-T bakır bağlantıya göre önceliklidir. 1000Base-X arabirimi için bir bağlantı bulunursa, 10/100/1000Base-T bağlantısı devre dışı olacaktır.

### 1000Base-X (SFP) Portları

Yalnızca fiber bağlantı için dört adet 1000Base-X kombinasyon portu mevcuttur ve bunlar Dell SFP'ler (mini-GBIC'ler) ile kullanıma yöneliktir.

Uyumlu SFP modüllerini satın almadan önce, ayrıntılar ve yardım almak için Dell temsilcinizle görüşün.

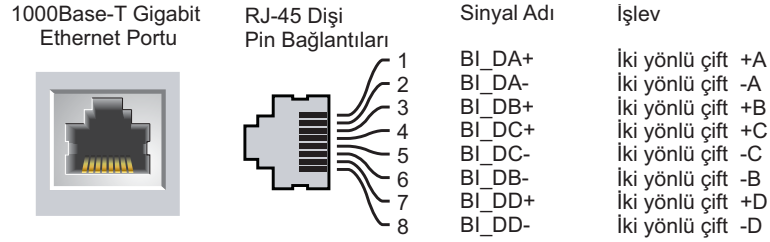


**Not:** Dell, kendi denetleyici sistemlerinde Dell optiklerini test eder ve destekler. Üçüncü taraf optikleri test edilmez ve desteklenmez. Bu nedenle, Dell, üçüncü taraf optiklerin düzgün çalışacağını garanti etmez.

## 10/100/1000Base-T Gigabit Ethernet Portları

Dört adet 10/100/1000Base-T Gigabit Ethernet (RJ-45) portu mevcuttur. Gigabit Ethernet, sekiz kablunun tamamını kullanır. Her bir çift iki yönlü olarak kullanılır, yani aynı çiftler hem veri iletimi hem de alımı için kullanılır. Şekil 2’de, RJ-45 konnektör üzerinde bulunan CAT-5 pin bağlantıları gösterilmektedir. CAT-5 pin çiftleri bir 10/100/1000Base-T Gigabit Ethernet portu üzerinde şu pinlerle eşleşir: 1/2, 3/6, 4/5 ve 7/8.

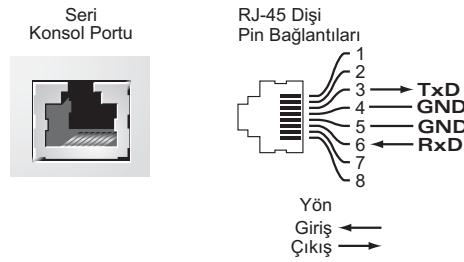
Şekil 2 Gigabit Ethernet Portu Pin Bağlantıları



## Seri Konsol Portu

Sağlanan seri konsol portu kullanılarak doğrudan yerel yönetim için bir terminale bağlantı kurulabilir. Portun RJ-45 dişi konnektörü, erkek konnektöre sahip bir RS-232 seri kablunun girişine uygundur.

Şekil 3 Seri Konsol Portu Pin Bağlantıları



Seri konsol portu için iletişim ayarları Tablo 1’de gösterilmiştir.

Tablo 1 Konsol Terminal Ayarları

Baud Hızı	Veri Bitleri	Eşlik	Bitiş Bitleri	Akış Denetimi
9600	8	Yok	1	Yok

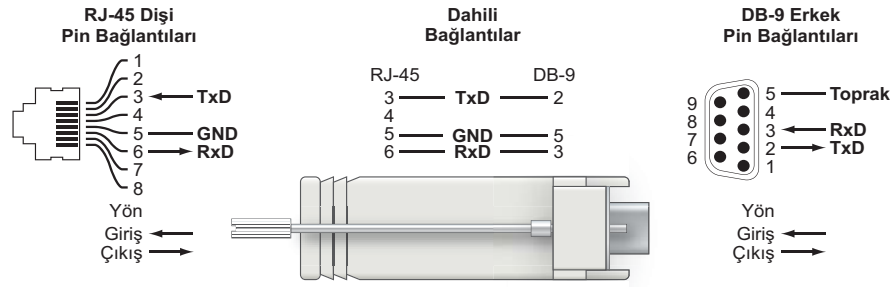


**Dikkat:** Seri konsol portuna Erişim Noktası (AP) bağlamayın. Seri konsol portu, yalnızca RS-232 cihazlarla uyumludur. AP’ler gibi RS-232 harici cihazlar desteklenmez.

## Seri Konsol Portu Bağdaştırıcısı

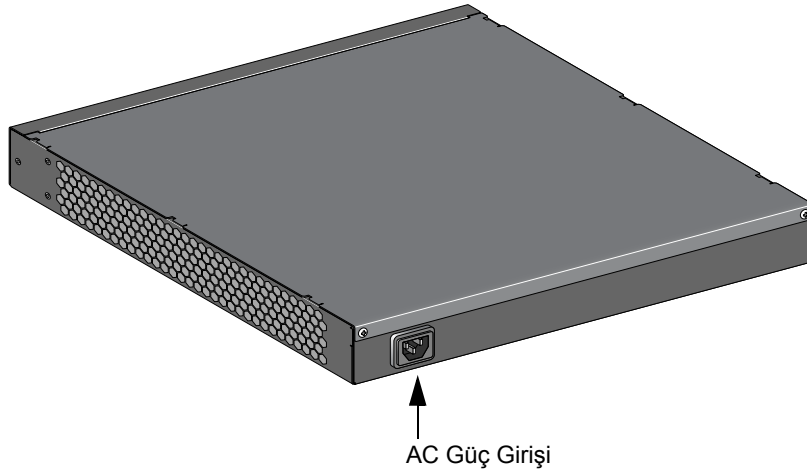
RJ-45 (dişi) konnektörü DB9 (erkek) konnektöre dönüştürmek için bir modüler bağdaştırıcı kullanılabilir. Ayrıntıların tamamı için Şekil 4’e bakın.

**Şekil 4** RJ-45'i (dişi) Modüler Bağdaştırıcı ile DB9'a (erkek) Dönüştürme



**Şekil 5**, W-3200 arkadan görünümünü temsil etmektedir.

**Şekil 5** W-3200 Arkadan Görünümü



## AC Güç Girişi

W-3000 Serisi Denetleyiciler, entegre AC güç beslemesini destekler ve ünitenin arkasında bulunan AC güç girişi bir AC güç kablosu (ülkeye özgü) ile kullanım içindir. Ayrıntılı güç spesifikasyonları için bkz. [Sayfa 17 "Güç Yönetimi Spesifikasyonları"](#).

## LED Durum Göstergeleri

**Tablo 2** W-3000 Serisi Denetleyiciler LED Durum Göstergeleri

LED	İşlev	Gösterge	Durum
POWER	Giriş Gücü Durum Göstergesi	Açık (Doymun Yeşil)	Güç açık
		Kapalı	Güç yok
STATUS	Modül Durum Göstergesi	Açık (Doymun Yeşil)	Cihaz çalışır durumda
		Açık (Doymun Kırmızı)	Cihaz arızalı
		Açık (Doymun Kehribar Rengi)	Cihaz yazılımı yükleniyor
		Kapalı	Güç yok

**Tablo 2** W-3000 Serisi Denetleyiciler LED Durum Göstergeleri

LED	İşlev	Gösterge	Durum
LNK 1000Base-X Ports	Bağlantı Durum Göstergesi	Açık (Doğgun Yeşil)	Bağlantı kuruldu
		Kapalı	Port üzerinde bağlantı yok
ACT 1000Base-X ports	Etkinlik Durum Göstergesi	Açık (Sık Yanıp Sönen Yeşil)	Port veri gönderiyor veya alıyor
		Kapalı	Etkinlik yok
LNK/ACT 10/100/1000Base-T Ports	Bağlantı/Etkinlik Durum Göstergesi	Açık (Doğgun Yeşil)	Bağlantı kuruldu
		Açık (Sık Yanıp Sönen Yeşil)	Port veri gönderiyor veya alıyor
		Kapalı	Port üzerinde bağlantı yok
1000 10/100/1000Base-T Ports	Arabirim Hız Göstergesi	Açık (Doğgun Yeşil)	1000 Mbps arabirim hızı kullanılıyor
		Kapalı	10/100 Mbps arabirim hızı kullanılıyor





Dell PowerConnect W-3000 Serisi Denetleyiciler kurulumu için şu araç ve ekipmanlara ihtiyaç vardır:

- Rafa Montaj Braketi (x2, masaüstü kurulumunda kullanılmaz)
- Uygun Tornavidalar
- AC Güç Kablosu (ülkeye özgü)



**Uyarı:** Aşağıdaki prosedürü uygulamadan önce, denetleyici ile birlikte verilen güvenlik talimatlarını gözden geçirin.

### Telekom Rafı için:

- 6-32 x 1/4" Phillips Başlı Vida (6x, dahildir)
- 12-24 x 5/8" Phillips Başlı Vida (4x, dahildir)

### Sunucu Rafı için:

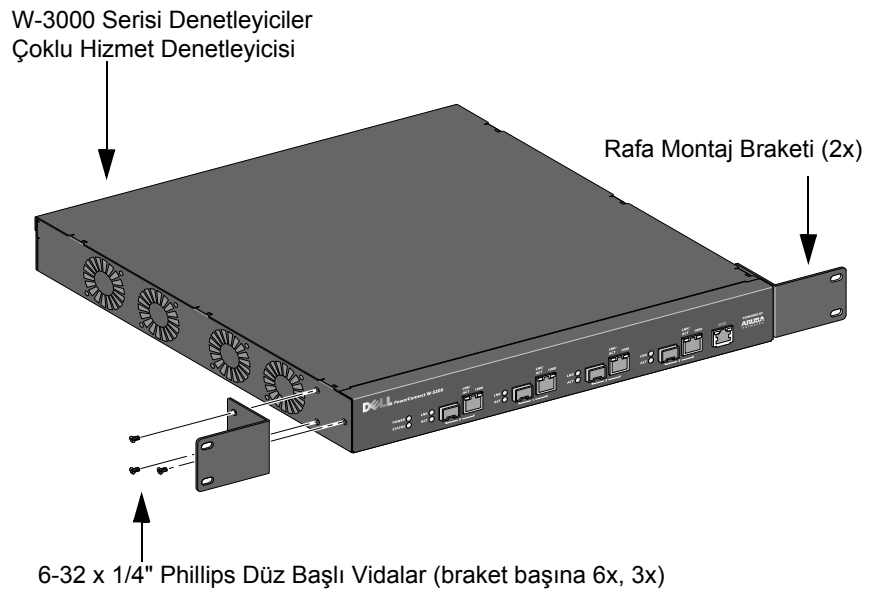
- 6-32 x 1/4" Phillips Başlı Vida (6x, dahildir)
- M6 x 20mm Phillips Başlı Vida (4x, dahildir)
- M6 Kafes Somunu (4x, dahildir) veya M6 Kafes Klipsleri (4x, dahildir)

## Telekom Rafına Kurulum

W-3000 Serisi Denetleyicileri 48,26 cm'lik bir raf sistemine kurmak için:

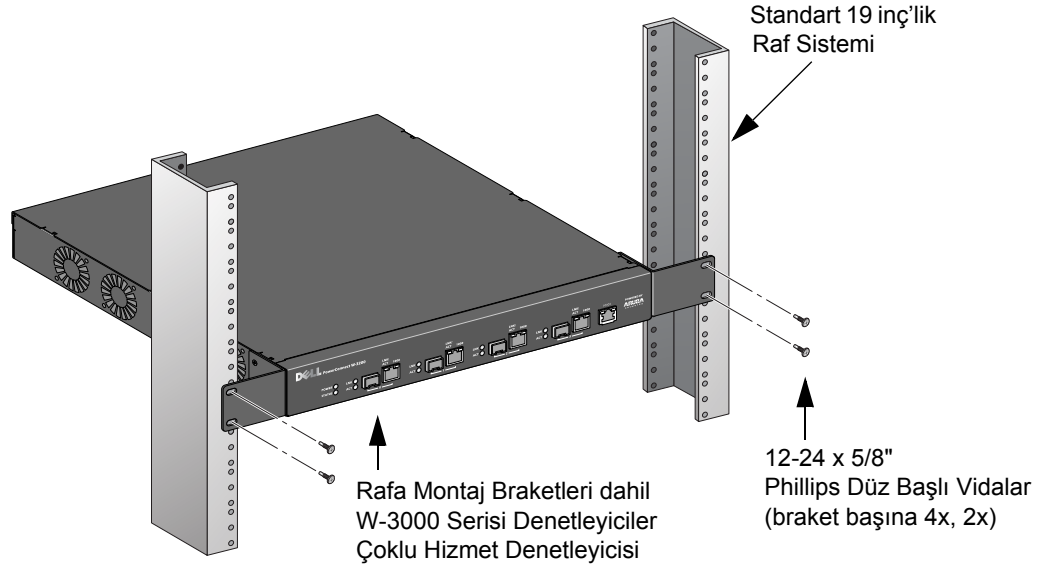
1. Denetleyicinin yanında bulunan montaj deliklerinin üzerine bir rafa montaj braketi yerleştirin (bkz. [Şekil 1](#)).
2. Üç adet 6-32 x 1/4" phillips düz başlı vida ve uygun bir tornavida yardımıyla braketi denetleyiciye sabitleyin.
3. Aynı adımları denetleyicinin diğer yanında da uygulayın.

### Şekil 1 Rafa Montaj Braketleri



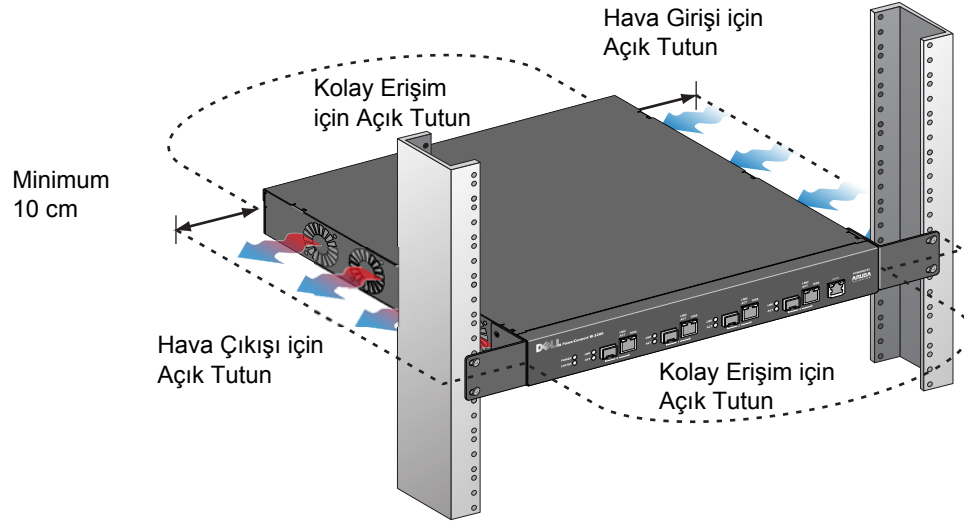
4. Dört adet 12-24 x 5/8" phillips düz başlı vida ve uygun bir tornavida yardımıyla denetleyiciyi kuruluşunuzun raf sistemi içerisine monte edin (bkz. [Şekil 2](#)).

### Şekil 2 Rafa Montaj Kurulumu



5. Uygun hava akışı ve havalandırma için ünitenin sol ve sağ taraflarında minimum 10 cm'lik boşluk bırakın (bkz. [Şekil 3](#)).
6. Güç kablolarına, ağ kablolarına ve LED durum göstergelerine erişebilmek için ünitenin ön ve arka bölümlerinde fazladan boşluk bırakın (bkz. [Şekil 3](#)).

### Şekil 3 Hava Akışı Gereksinimleri



7. AC güç kablosunu (ülkeye özgü) ünitenin arkasına bağlayın.
8. Denetleyiciye güç beslenebilmesi için güç kablosunun diğer ucunu bir elektrik prizine bağlayın.

# Sunucu Rafına Kurulum

Bir W-3000 Serisi Denetleyiciler denetleyiciyi 48,26 cm'lik bir raf sistemine kurmak için:



**Not:** Aşağıdaki talimatlarda, denetleyicinizi yivsiz, kare delikli bir rafa nasıl kuracağınız tarif edilmektedir. Yivsiz, yuvarlak delikli bir raf için, sağlanan klipsli somunları kullanın.

1. Denetleyicinin yanında bulunan montaj deliklerinin üzerine bir rafa montaj braketi yerleştirin (bkz. [Şekil 1](#)).
2. Üç adet 6-32 x 1/4" phillips başlı vida ve uygun bir tornavida yardımıyla braketi denetleyiciye sabitleyin.
3. Aynı adımları denetleyicinin diğer yanında da uygulayın.
4. Dört adet kafes somununu takın.
  - a. Kafesin alt kenarını rafın arkasında bulunan kare şeklindeki açıklığın üzerinden geçirerek başlayın.
  - b. Kafes somunu kurulum aracının küçük ucunu raftaki açıklıktan (önden) geçirin ve aracı kafes somununun üst kenarına asın.
  - c. Kafes somununun üst kenarı yerine geçinceye kadar, aracı yukarı doğru döndürüp bir yandan kendinize doğru geri çekerken kafes somununu rafa doğru içeri bastırın.
5. Dört adet M6 x 20 mm phillips başlı vida ve uygun bir tornavida yardımıyla denetleyiciyi kuruluşunuzun raf sistemi içerisine monte edin.
6. Uygun hava akışı ve havalandırma için ünitenin sol ve sağ taraflarında minimum 10 cm'lik boşluk bırakın (bkz. [Şekil 3](#)).
7. Güç kablolarına, ağ kablolarına ve LED durum göstergelerine erişebilmek için ünitenin ön ve arka bölümlerinde fazladan boşluk bırakın (bkz. [Şekil 3](#)).
8. AC güç kablosunu (ülkeye özgü) ünitenin arkasına bağlayın.
9. Denetleyiciye güç beslenebilmesi için güç kablosunun diğer ucunu bir elektrik prizine bağlayın.



**Not:** W-3000 Serisi Denetleyiciler üzerinde güç açma/kapama düğmesi bulunmaz. Üniteye beslenen gücün denetlenmesi, güç kablosunun fişi elektrik prizine takılarak (veya prizden çıkarılarak) sağlanır.

## Masaüstüne Yerleştirme

W-3000 Serisi Denetleyiciler'ni masaüstü gibi düz bir yüzeye yerleştirmek için:

1. Dört adet kauçuk montaj ayağını ünitenin altına takın.
2. Kenar oluklarını yerine geçirerek takın.
3. Üniteyi sert düz bir yüzey üzerine koyun.

## Başlangıç Ayarları ve Ağ Bağlanırlığı

Fiziksel kurulumun tamamlanmasının ardından, IP adresini ve diğer temel sistem bilgilerini yapılandırmak için denetleyici üzerinde başlangıç ayarlarını yapın. Eksiksiz ayrıntılar ve talimatlar için, denetleyiciniz üzerindeki yazılım sürümüne ait *ArubaOS Hızlı Başlangıç Kılavuzu*'na bakın.

## Sökme

W-3000 Serisi Denetleyicileri 48,26 cm'lik bir raf sisteminden sökmek için:

1. Elektrik kablosunun fişini elektrik prizinden çıkararak denetleyicinin güç bağlantısını kesin.
2. denetleyiciye bağlı başka kablolar veya cihazlar varsa bunların da bağlantılarını kesin.
3. Denetleyiciyi kuruluşunuzun raf sistemine sabitleyen dört adet rafa montaj vidasını gevşetin.
4. Denetleyiciyi raf sisteminden ayırın.

## Fiziki Spesifikasyonlar

- Cihaz Boyutları (rafa montaj braketleri hariç) (YxGxD):
  - Tüm Modeller: 1,75" x 13,8" x 11,7"
  - Tüm Modeller: 44 mm x 351 mm x 297 mm

Cihaz Ağırlığı (rafa montaj braketleri dahil):

- W-3200: 3,2 kg
- W-3400/W-3600: 3,4 kg
- Ambalaj Boyutları (YxGxD):
  - Tüm Modeller: 6,5" x 18,2" x 16,5"
  - Tüm Modeller: 165 mm x 462 mm x 419 mm
- Ambalaj Ağırlığı:
  - W-3200: 4,3 kg
  - W-3400/W-3600: 4,4 kg

## Güç Yönetimi Spesifikasyonları

### Güç Tüketimi

- W-3200: maksimum 35 W
- W-3400: maksimum 45 W
- W-3600: maksimum 60 W

### Güç Spesifikasyonları (AC Giriş Gereksinimleri)

- W-3200:
  - AC Giriş Gerilimi: 90-264 V~, Üniuersal Giriş
  - AC Giriş Akımı: 1,5 A
  - AC Giriş Frekansı: 47-63 Hz
- W-3400/W-3600:
  - AC Giriş Gerilimi: 90-264 V~, Üniuersal Giriş
  - AC Giriş Akımı: 2,2 A
  - AC Giriş Frekansı: 47-63 Hz

## Çalıştırma Spesifikasyonları

- Çalıştırma Sıcaklığı Aralığı: 0°C ila 40°C
- Çalıştırma Nemi Aralığı: %5 ila %95 (bağıl nem), yoğunlaşmayan

## Saklama Spesifikasyonları

- Saklama Sıcaklığı Aralığı: 0°C ila 50°C
- Saklama Nemi Aralığı: %5 - %95 (bağıl nem), yoğunlaşmayan

## Güvenlik ve Yönetmelikler Yönünden Uygunluk

Dell, tüm Dell donanım ürünleri için, birden fazla dilde ülkeye özgü kısıtlamaları ve ek güvenlik bilgileri ile yönetmelik bilgilerini içeren bir belge sunmaktadır. Dell PowerConnect W-Serisi Güvenlik, Çevre ve Yönetmelik Bilgileri belgesi bu ürün içeriğinde yer almaktadır.



**Dikkat:** Bu el kitabında belirtilenler dışındaki kontroller veya performans ayarları ya da prosedürlerin kullanılması, tehlikeli düzeyde radyasyona maruz kalınmasıyla sonuçlanabilir.

Bu ürün, 21 CFR Bölüm 1, Alt bölüm J, Kısım 1040.10'a ve IEC 60825-1: 1993, A1: 1997, A2: 2001, IEC 60825-2: 2000'e uygundur.

Yukarıdaki lazer güvenliği standartlarına devamlı uygunluk için, Dell ürünlerine yalnızca onaylı satıcılarımızdan alınacak onaylı Sınıf 1 modüller takılmalıdır.

### FCC Sınıf A Cihaz

Bu ekipman, FCC Kuralları Bölüm 15 uyarınca test edilmiş ve Sınıf A dijital cihazlara ilişkin sınırlara uygun olduğu saptanmıştır. Söz konusu sınırlar, ekipman ticari bir ortamda çalıştırılırken zararlı enterferansa karşı makul düzeyde koruma sağlamak amacıyla belirlenmiştir. Bu ekipman, radyo frekansı enerjisi üretir, kullanır ve yayabilir ve talimat el kitabına göre kurulmadığı ve kullanılmadığı takdirde, telsiz haberleşme için zararlı enterferansa yol açabilir. Bu ekipmanın bir yerleşim alanında çalıştırılması büyük olasılıkla zararlı enterferansa yol açacaktır. Bu durumda, kullanıcının enterferansı masrafları kendisine ait olmak üzere düzeltmesi gerekecektir.

### Industry Canada

Bu Sınıf A dijital cihaz, Kanada ICES-003'e uygundur.

Cet appareil numérique de la classe A est conforme à la norme NMB-003 du Canada.

## NOM Bilgileri (Yalnızca Meksika için)

Aşağıdaki bilgiler, resmi Meksika standartları (NOM) gerekliliklerine uygun olarak, bu belgede tarif edilen cihazla ilgili olarak sunulmuştur:

İthalatçı: Dell Inc. de Mexico, S.A. de C.V.  
Paseo de la Reforma 2620-11° Piso  
Col. Lomas Atlas  
11950 Mexico, D.F.

Model Numarası: 3200

- Besleme Gerilimi: 90-264 V AC
- Frekans: 47-63 Hz
- Akım tüketimi: 1,5 A

Model Numarası: 3400/3600

- Besleme Gerilimi: 90-264 V AC
- Frekans: 47-63 Hz
- Akım tüketimi: 2,2 A

## Dell Ekipmanının Doğru İmhası

Global Çevresel Uygunluk ve Dell ürünleri hakkında en güncel bilgileri edinmek için lütfen [www.dell.com](http://www.dell.com) web sitemizi ziyaret edin.

## Avrupa Birliği RoHS (Tehlikeli Maddelerin Kısıtlanması)

**RoHS**

Dell ürünleri, 2002/95/EC sayılı AB Tehlikeli Maddelerin Kısıtlanması (RoHS) Direktifi'ne de uygundur. AB RoHS, elektrikli ve elektronik ekipman imalatında belirli tehlikeli malzemelerin kullanımına kısıtlamalar getirmektedir. Özellikle, RoHS Direktifi uyarınca kısıtlamaya tabi olan malzemeler Kurşun (baskılı devre ünitelerinde kullanılan Lehim dahil), Kadmiyum, Cıva, Hekzavalan Krom ve Brom'dur. Bazı Dell ürünleri, RoHS Direktifi Ek 7 kapsamında listelenen istisnalara (baskılı devre ünitelerinde kullanılan lehim içerisindeki Kurşun) tabidir. Söz konusu Direktife uygunluğun gösterilmesi için, ürün ve ambalajların sol tarafları "RoHS" etiketi ile işaretlenecektir.





# Dell PowerConnect W-3000 シリーズ 設置ガイド



## Copyright

© 2010 Aruba Networks, Inc. AirWave®, Aruba Networks®, Aruba Mobility Management System®, およびその他の登録商標は Aruba Networks, Inc. の商標です。Dell™、DELL™ ロゴ、および PowerConnect™ は Dell Inc. の商標です。

All rights reserved. 本書に記載された仕様は、予告なく変更されることがあります。

米国製。本書に記載されているその他の商標は、それぞれの所有者に帰属します。

## オープンソースコード

一部の Aruba 製品には、GNU General Public License (GPL)、GNU Lesser General Public License (LGPL)、およびその他のオープンソースライセンスの対象となるソフトウェアコードを含むサードパーティ製のオープンソースソフトウェアコードが含まれています。使用されているオープンソースコードは、以下のサイトで参照できます。

[http://www.arubanetworks.com/open\\_source](http://www.arubanetworks.com/open_source)

## 法的通知

個人または企業による Aruba Networks, Inc. スイッチングプラットフォームおよびソフトウェアの使用によって生じるその他のベンダの VPN クライアントデバイスが排除された場合、このアクションに対するその個人または企業の責任の完全な受諾を伴い、これらのベンダの代理として著作権の侵害に関して Aruba Networks, Inc. に対して適用される可能性のあるすべての合法的なアクションを補償するものとします。

<b>本書について</b> .....	<b>5</b>
ガイドの概要.....	5
関連ドキュメント.....	5
Dell の連絡先.....	5
<b>第 1 章 PowerConnect W-3000 シリーズについて</b> .....	<b>7</b>
最小ソフトウェア要件.....	7
パッケージチェックリスト.....	7
モデルの概要.....	8
1000Base-X (SFP) ポート.....	8
10/100/1000Base-T Gigabit イーサネットポート.....	9
シリアルコンソールポート.....	9
シリアルコンソールポートアダプタ.....	9
AC 電源ソケット.....	10
LED ステータスインジケータ.....	10
<b>第 2 章 W-3000 シリーズの設置</b> .....	<b>13</b>
テレコムラック：.....	13
サーバーラック：.....	13
テレコムラックへの設置.....	13
サーバーラックへの設置.....	15
テーブルトップ展開.....	16
初期設定およびネットワーク接続.....	16
取り外し.....	16
<b>付録 A 仕様、安全性、および規制準拠</b> .....	<b>17</b>
物理仕様.....	17
電源管理仕様.....	17
電力消費.....	17
電源仕様 (AC 入力要件).....	17
運用仕様.....	17
保管仕様.....	18
安全性および規制準拠.....	18
FCC Class A デバイス.....	18
カナダ産業省競争政策局.....	18
NOM に関する情報 (メキシコのみ).....	19
Dell 製機器の適切な廃棄.....	19
欧州連合 RoHS.....	19



この序章には、以下の情報が含まれています。

- 「ガイドの概要」(5 ページ)
- 「関連ドキュメント」(5 ページ)
- 「Dell の連絡先」(5 ページ)

## ガイドの概要

- 第1章、「PowerConnect W-3000 シリーズについて」(7 ページ) では、W-3000 シリーズの3つのコントローラ (W-3200、W-3400、および W-3600) の詳細なハードウェアの概要について説明します。
- 第2章、「W-3000 シリーズの設置」(13 ページ) では、ラックマウントへの設置手順について説明します。
- 付録 A、「仕様、安全性、および規制準拠」(17 ページ) には、製品の技術仕様、安全性、および規制順序に関する情報が記載されています。

## 関連ドキュメント

本書では、Dell コントローラの正常な設置および管理に必要な以下のドキュメントが参照されています。

- 『Dell PowerConnect ArubaOS Quick Start Guide』
- 『Dell PowerConnect ArubaOS User Guide』
- 『Dell PowerConnect ArubaOS 5.0 Command Line Reference』

## Dell の連絡先

Web サイトサポート	
メインサイト	<a href="http://www.dell.com">www.dell.com</a>
サポートサイト	<a href="http://support.dell.com">support.dell.com</a>
Dell ドキュメント	<a href="http://support.dell.com/manuals">support.dell.com/manuals</a>



PowerConnect W-3000 シリーズは、3つのエンタープライズクラスのワイヤレス LAN コントローラで構成されています。これらのコントローラは、ワイヤレスアクセスポイント (AP) および空気モニター (AM) を有線 LAN システムに接続し、制御およびインテリジェントな統合を行います。

PowerConnect W-3000 シリーズには、以下のモデルがあります。

- W-3200 マルチサービスコントローラ  
W-3200 は、最大 32 のキャンパス接続された AP をサポートします。
- W-3400 マルチサービスコントローラ  
W-3400 は、最大 64 のキャンパス接続された AP をサポートします。
- W-3600 マルチサービスコントローラ  
W-3600 は、最大 128 のキャンパス接続された AP をサポートします。



**メモ:** 機能に関連する AP ライセンスは、AP のアップグレードライセンスとは別に個々にカウントされます。ソフトウェアライセンスオプションおよびサポート容量の詳細については、Dell 代理店に問い合わせてください。

## 最小ソフトウェア要件

W-3000 シリーズには、ArubaOS 5.0.2 以降が必要です。



**メモ:** マスタコントローラ、その冗長マスタコントローラ、およびそのすべてのローカルコントローラは、同じ ArubaOS バージョン上で実行する必要があります。ネットワークをアップグレードして、ネットワークに W-3000 シリーズをインストールした場合、コントローラのソフトウェアバージョンが残りのネットワークと一致することを確認してください。コントローラのバージョンがネットワークをアップグレードした後のバージョンよりも前のものである場合、コントローラのコードをアップグレードして残りのネットワークに一致させる必要があります。

## パッケージチェックリスト

- W-3000 シリーズ
- AC 電源コード (国固有)
- ラックマウント用ブラケット
- フラットシリアルケーブル (RJ-45)
- ゴム足 (テーブルトップ展開用)
- シリアルコンソールポートアダプタ (RJ-45 から DB9 への変換用)
- 『Dell PowerConnect ArubaOS Quick Start Guide』
- 『エンドユーザー使用許諾契約』 (EULA)
- 『Safety, Environmental, and Regulatory Information (SERI)』 ドキュメント
- 『Warranty and Support Information (WSI)』 ドキュメント



**メモ:** 内容が違っている場合、不足している場合、または破損している場合は、サプライヤに連絡してください。必要な場合は、元の梱包資材および箱を使用して（可能な場合）パッケージを梱包し、サプライヤに返送してください。

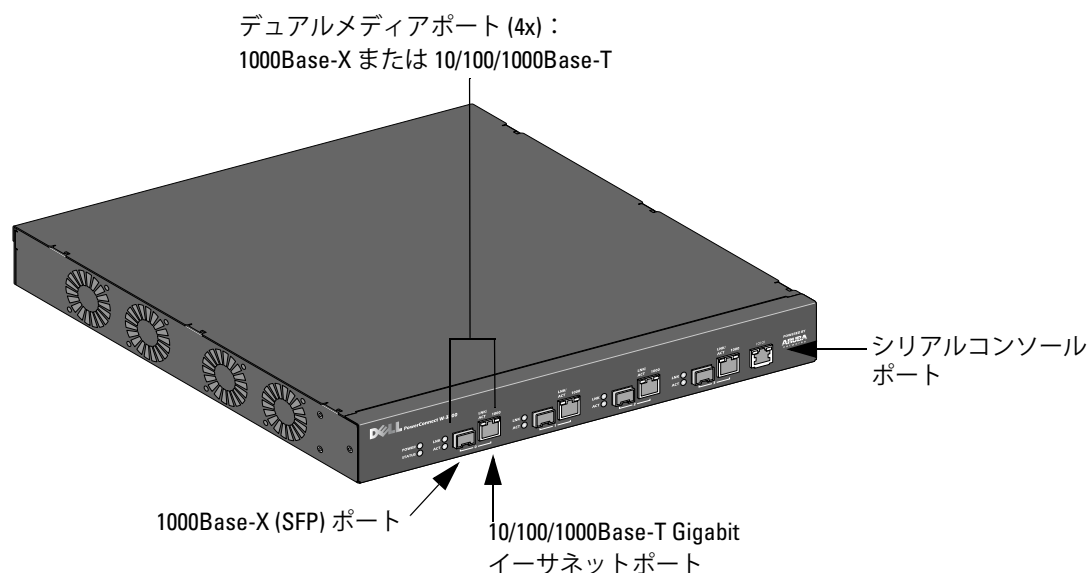


**メモ:** W-3000 シリーズと一緒に使用できるオプションアクセサリ (SFP モジュールなど) は別売りです。詳細については、Dell 代理店にお問い合わせください。

## モデルの概要

W-3000 シリーズの物理ハードウェアモデルの概要は、シリーズ内の 3 つのモデルのすべてに該当します。3 つのコントローラモデルの間の違いは、購入したライセンスレベルにより異なります。この章の図で示すコントローラモデルは、W-3200 です。

**図 1** W-3200 の前面



**メモ:** 0 ~ 3 のポートはデュアルメディアポートで、1000Base-X または 10/100/1000Base-T 接続のいずれかで使用できます。しかし、1000Base-X ファイバ接続が 10/100/1000Base-T 銅線接続よりも優先されます。1000Base-X インターフェイスのリンクが検出された場合、10/100/1000Base-T 接続は無効になります。

### 1000Base-X (SFP) ポート

ファイバ接続専用の 4 つの 1000Base-X コンビネーションポートは、Dell SFP (mini-GBIC) と組み合わせて使用するよう設計されています。

互換 SFP モジュールを購入する場合、詳細については、Dell 代理店にお問い合わせください。



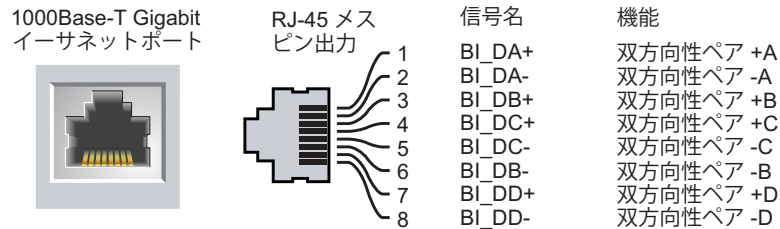
**メモ:** Dell は、そのコントローラシステム内の Dell 光ファイバをテストおよびサポートします。サードパーティ製の光ファイバはテストおよびサポートされません。したがって、Dell はサードパーティ製の光ファイバが適切に機能することを保証しません。



## 10/100/1000Base-T Gigabit イーサネットポート

4つの10/100/1000Base-T Gigabit Ethernet (RJ-45) ポートがあります。Gigabit イーサネットは8つのすべてのワイヤを使用し、各ポートは双方向で使用されます。したがって、同じペアがデータの送受信に使用されます。図2は、RJ-45 コネクタのCAT-5 ピン出力を示します。CAT-5 ピン出力では、10/100/1000Base-T Gigabit イーサネットポートで、1/2、3/6、4/5、7/8 のペアを構成します。

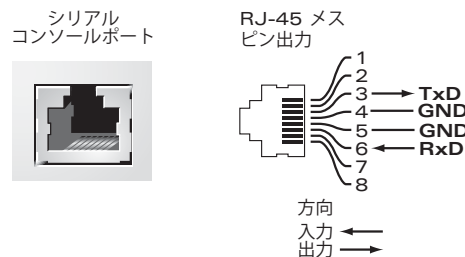
図2 Gigabit イーサネットポートピン出力



## シリアルコンソールポート

シリアルコンソールポートは、ローカル管理を直接行うターミナルに接続するために提供されています。ポートのRJ-45 メスコネクタには、RS-232 シリアルケーブル（オスコネクタ）を接続できます。

図3 シリアルコンソールポートピン出力



シリアルコンソールポートの通信設定を表1に示します。

表1 コンソールターミナル設定

ボーレート	データビット	パリティ	ストップビット	フロー制御
9600	8	なし	1	なし



**注意:** アクセスポイント (AP) をシリアルコンソールポートに接続しないでください。シリアルコンソールポートは、RS-232 デバイスとのみ互換性があります。RS-232 以外のデバイス (AP など) はサポートされません。

## シリアルコンソールポートアダプタ

モジュラアダプタを使用して、RJ-45 (メス) コネクタを DB9 (メス) コネクタに変換できます。詳細については、図4を参照してください。

図 4 RJ-45 (メス) から DB9 (オス) へのモジュラアダプタ変換

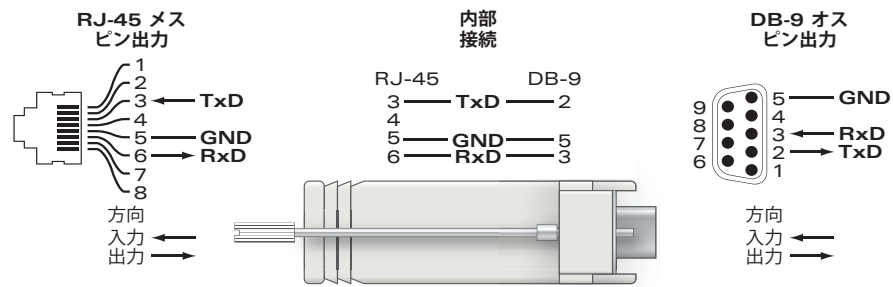
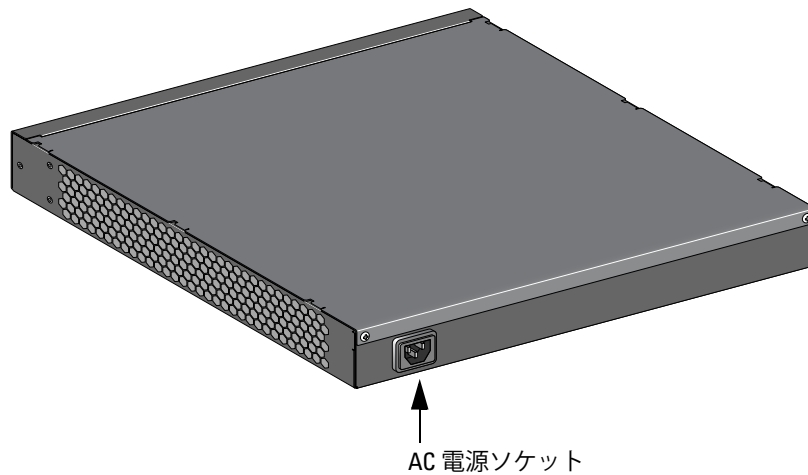


図 5 は W-3200 の背面を示します。

図 5 W-3200 の背面



## AC 電源ソケット

W-3000 シリーズは、内蔵 AC 電源をサポートし、ユニット背面の AC 電源ソケットに AC 電源コード（国固有）を接続できます。電源仕様の詳細については、17 ページの「電源管理仕様」を参照してください。

## LED ステータスインジケータ

表 2 W-3000 シリーズ LED ステータスインジケータ

LED	機能	インジケータ	ステータス
POWER	電源入カステータスインジケータ	点灯 (緑)	電源投入
		消灯	電源切断
STATUS	モジュールステータスインジケータ	点灯 (緑)	デバイス運用中
		点灯 (赤)	デバイス障害
		点灯 (黄色)	デバイスでソフトウェアのロード中
		消灯	電源切断
LNK 1000Base-X ポート	リンクステータスインジケータ	点灯 (緑)	リンク確立済み

表 2 W-3000 シリーズ LED ステータスインジケータ

LED	機能	インジケータ	ステータス
		消灯	リンクなし
ACT 1000Base-X ポート	アクティビティステータスインジケータ	点滅 緑)	ポートでデータの送受信中
		消灯	アクティビティなし
LNK/ACT 10/100/1000Base-T ポート	リンク / アクティビティステータスインジケータ	点灯 (緑)	リンク確立済み
		点滅 緑)	ポートでデータの送受信中
		消灯	リンクなし
1000 10/100/1000Base-T ポート	インターフェイス速度インジケータ	点灯 (緑)	1000 Mbps インターフェイス速度が使用中
		消灯	100 Mbps インターフェイス速度が使用中



Dell PowerConnect W-3000 シリーズを設置するには、以下の工具および機器が必要です。

- ラックマウント用ブラケット 2つ（テーブルトップへの設置の場合は不要です）
- 適切なドライバー
- AC 電源コード（国固有）



---

**警告:** 以下の手順を実行する前に、コントローラに付属している安全のしおりを確認してください。

---

### テレコムラック:

- 6-32 x 1/4" のプラスネジ (6 本同梱)
- 12-24 x 5/8" のプラスネジ (4 本同梱)

### サーバーラック:

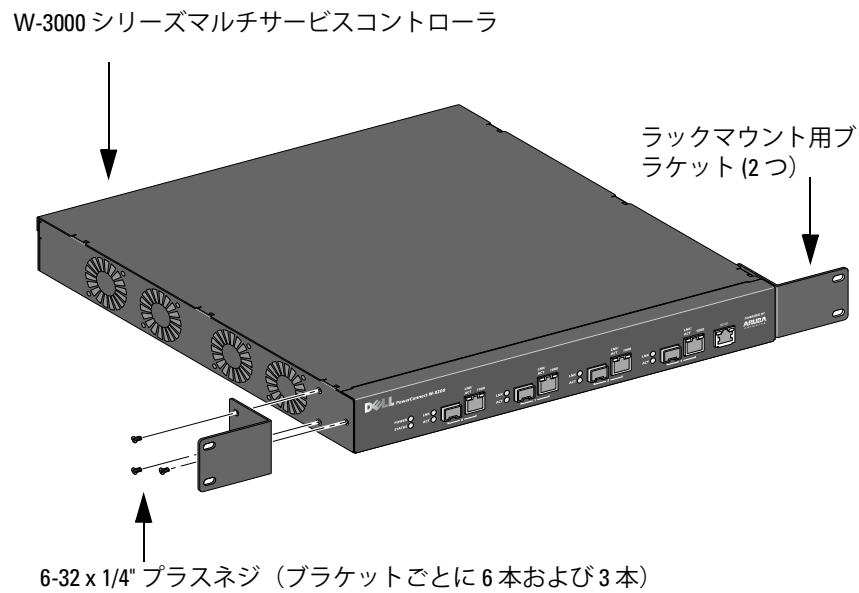
- 6-32 x 1/4" のプラスネジ (6 本同梱)
- M6 x 20mm のプラスネジ (4 本同梱)
- M6 ケージナット (4 つ同梱) または M6 ケージクリップ (4 つ同梱)

## テレコムラックへの設置

W-3000 シリーズを 19 インチ (48.26 cm) ラックシステムに設置するには:

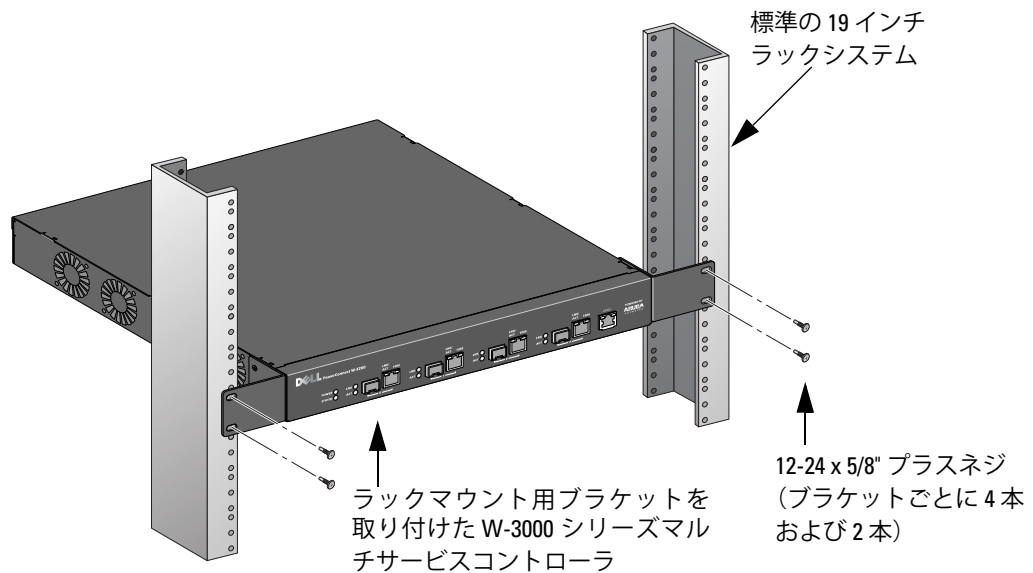
1. ラックマウント用ブラケットをコントローラ側面のマウント用穴に配置します (図 1 を参照)。
2. 3 本の 6-32 x 1/4" プラスネジおよび適切なドライバーを使用して、ブラケットをコントローラに固定します。
3. コントローラの反対側の側面で同じ手順を繰り返します。

**図1** ラックマウント用ブラケット



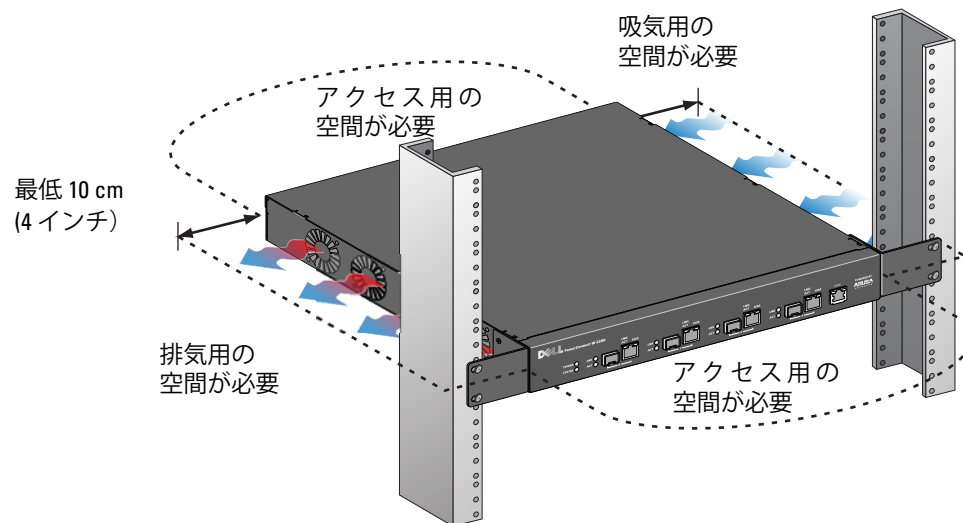
4. 4 本の 12-24 x 5/8" プラスネジおよび適切なドライバーを使用して、組織のラックシステムにコントローラを取り付けます (図2を参照)。

**図2** ラックマウント設置



5. 吸気と排気のためにユニットの左右に最低 10 cm の空間を空けておきます (図3を参照)。
6. 電源コード、ネットワークケーブル、および LED ステータスインジケータにアクセスするために、ユニットの前後の空間を空けておきます (図3を参照)。

図3 吸気と排気の要件



7. AC 電源コード (国固有) をユニット背面に接続します。
8. 電源コードの反対側を電源コンセントに接続してコントローラに給電します。

## サーバーラックへの設置

W-3000 シリーズコントローラを 19 インチ (48.26 cm) サーバーラックシステムに設置するには：



**メモ：** 次の手順は、スレッドなしの四角い穴のラックにコントローラを設置する方法を示します。スレッドなしの丸い穴のラックの場合、付属するクリップナットを使用してください。

1. ラックマウント用ブラケットをコントローラ側面のマウント用穴に配置します (図1を参照)。
2. 3本の 6-32 x 1/4" プラスネジおよび適切なドライバーを使用して、ブラケットをコントローラに固定します。
3. コントローラの反対側の側面で同じ手順を繰り返します。
4. 4つのケージナットを取り付けます。
  - a. ケージ下部 (レール背面の四角い開口部の上) に挿入します。
  - b. ケージナット設置工具の小さい端をレールの開口部に前面から挿入し、ケージナットの上部に工具を引っかけます。
  - c. ケージナットをレールの方向に押し、ケージナットの上部が固定されるまで工具を上に向けて自分の方向に引っ張ります。
5. 4本の M6 x 20mm プラスネジおよび適切なドライバーを使用して、組織のラックシステムにコントローラを取り付けます。
6. 吸気と排気のためにユニットの左右に最低 10 cm の空間を空けておきます (図3を参照)。
7. 電源コード、ネットワークケーブル、および LED ステータスインジケータにアクセスするために、ユニットの前後の空間を空けておきます (図3を参照)。
8. AC 電源コード (国固有) をユニット背面に接続します。
9. 電源コードの反対側を電源コンセントに接続してコントローラに給電します。



**メモ：** W-3000 シリーズには、電源スイッチがありません。ユニットへの給電は、電源コードを電源コンセントに接続することによって制御します。

## テーブルトップ展開

W-3000 シリーズをテーブルトップなどの平面に展開するには：

1. 4つのゴム足をユニット下部に挿入します。
2. 側面ベゼルを取り付けます。
3. ユニットの硬い平面に設置します。

## 初期設定およびネットワーク接続

物理的な設置が完了したら、コントローラで初期セットアップを実行し、IP アドレスおよびその他の基本システム情報を設定します。ご使用のコントローラにインストールされているソフトウェアバージョンの詳細および手順については、『ArubaOS Quick Start Guide』を参照してください。

## 取り外し

W-3000 シリーズを 19 インチ (48.26 cm) ラックシステムから取り外すには：

1. 電源コードを電源コンセントから取り外して、コントローラの電源を切断します。
2. コントローラに接続されているその他のケーブルまたはデバイスを取り外します。
3. 組織のラックシステムにコントローラを固定している 4 本のラックマウント用ネジを緩めます。
4. ラックマウントからユニットを取り外します。



## 物理仕様

- デバイスの寸法（ラックマウント用ブラケットを除く）（高 x 幅 x 奥行）：
  - すべてのモデル：1.75" x 13.8" x 11.7"
  - すべてのモデル：44 mm x 351 mm x 297 mm

デバイスの重量（ラックマウント用ブラケットを除く）：

- W-3200：7.1 lbs/3.2 kg
- W-3400/W-3600：7.4 lbs/3.4 kg
- 出荷時の寸法（高 x 幅 x 奥行）：
  - すべてのモデル：6.5" x 18.2" x 16.5"
  - すべてのモデル：165 mm x 462 mm x 419 mm
- 出荷時の重量：
  - W-3200：9.4 lbs/4.3 kg
  - W-3400/W-3600：9.7 lbs/4.4 kg

## 電源管理仕様

### 電力消費

- W-3200：最大 35 W
- W-3400：最大 45 W
- W-3600：最大 60 W

### 電源仕様 (AC 入力要件)

- W-3200：
  - AC 入力電圧：90 ~ 264 V 以上（ユニバーサル入力）
  - AC 入力電流：1.5 A
  - AC 入力周波数：47 ~ 63 Hz
- W-3400/W-3600：
  - AC 入力電圧：90 ~ 264 V 以上（ユニバーサル入力）
  - AC 入力電流：2.2 A
  - AC 入力周波数：47 ~ 63 Hz

## 運用仕様

- 運用温度範囲：0°C ~ 40°C (32°F ~ 104°F)
- 運用湿度範囲：5% ~ 95% (RH)、結露なし

## 保管仕様

- 保管温度範囲：0°C ~ 50°C (32°F ~ 122°F)
- 保管湿度範囲：5% ~ 95% (RH)、結露なし

## 安全性および規制準拠

Dell は、国固有の規制および追加の安全性と規制情報を含む多言語ドキュメントをすべての Dell ハードウェア製品で提供しています。『Dell PowerConnect W-Series Safety, Environmental, and Regulatory Information』ドキュメントは、本製品に含まれています。



**注意:** 本書に記載されているもの以外のコントロールまたは手順を使用した場合、危険な無線放射が発生することがあります。

本製品は、21 CFR Chapter 1, Subchapter J, Part 1040.10、および IEC 60825-1: 1993、A1: 1997、A2: 2001、IEC 60825-2: 2000 に準拠しています。

上記のレーザーに関する安全性標準への継続的に準拠するため、Dell 製品には Dell 認定ベンダの承認済み Class 1 モデルのみが使用されています。

### FCC Class A デバイス

この機器は、FCC 規則の Part 15 に準じた Class A デジタルデバイスの制限に関する試験に適合しています。これらの制限は、商用環境で機器を使用するとき有害な干渉が発生することを防止するために設定されています。この機器は、無線周波数エネルギーを生成および使用し、および無線周波数エネルギーを放射する可能性があります。設置マニュアルに従って設置および使用しない場合、無線通信で有害な干渉が発生することがあります。この機器を住宅地で使用した場合に有害な干渉が発生すると、ユーザーの自費で干渉を修正する必要があることがあります。

### カナダ産業省競争政策局

この Class A デジタル機器は、Canadian ICES-003 に準拠しています。

Cet appareil numérique de la classe A est conforme à la norme NMB-003 du Canada.

## NOMに関する情報（メキシコのみ）

以下の情報は、本書に記載されているデバイスに関する公式なメキシコ標準 (NOM) の要件への準拠に関するものです。

輸入業者： Dell Inc. de Mexico, S.A. de C.V.  
Paseo de la Reforma 2620-11° Piso  
Col. Lomas Atlas  
11950 Mexico, D.F.

モデル番号：3200

- 供給電圧：90 ~ 264 V AC
- 周波数：47 ~ 63 Hz
- 電流消費：1.5 A

モデル番号：3400/3600

- 供給電圧：90 ~ 264 V AC
- 周波数：47 ~ 63 Hz
- 電流消費：2.2 A

## Dell 製機器の適切な廃棄

Global Environmental Compliance および Dell 製品に関する最新情報については、[www.dell.com](http://www.dell.com) を参照してください。

### 欧州連合 RoHS



Dell 製品は、EU Restriction of Hazardous Substances Directive 2002/95/EC (RoHS) にも準拠しています。EU RoHS は、電気機器および電子機器の製造における特定の危険物質の使用を制限する指令です。特に、RoHS 指令で制限されている物質は、鉛（印刷基盤アセンブリで使用されるはんだを含む）、カドミウム、水銀、六価クロム、およびブロムです。一部の Dell 製品は、RoHS 指令の付録 7 に記載されている例外の対象です（印刷基盤アセンブリで使用されるはんだの鉛）。左側に示す “RoHS” のラベルが添付された製品およびパッケージは、この指令に準拠していることを示します。



# Dell PowerConnect W-3000 시리즈 컨트롤러 설치 안내서



## 저작권

© 2010 Aruba Networks, Inc. AirWave®, Aruba Networks®, Aruba Mobility Management System®, 및 기타 등록 표시는 Aruba Networks, Inc.의 상표이고 Dell™, DELL™ 로고 및 PowerConnect™는 Dell Inc의 상표입니다.

All rights reserved. 이 설명서의 사양은 통보 없이 변경될 수 있습니다.

미국에서 인쇄. 이 설명서에 나타나는 다른 모든 상표는 해당 소유자의 재산입니다.

## 오픈 소스 코드

특정 Aruba 제품에는 GNU General Public License(GPL), GNU Lesser General Public License(LGPL) 또는 기타 오픈 소스 라이선스에 적용되는 소프트웨어 코드를 포함하여 타사에서 개발된 오픈 소스 소프트웨어 코드가 포함되어 있습니다. 사용된 오픈 소스 코드는 다음 사이트에서 볼 수 있습니다.

[http://www.arubanetworks.com/open\\_source](http://www.arubanetworks.com/open_source)

## 법적 고지

모든 개인 또는 회사에서 다른 공급업체의 VPN 클라이언트 장치를 중단하기 위해 Aruba Networks, Inc.의 스위칭 플랫폼 및 소프트웨어를 사용하는 것은 이런 행동에 대해 개인 또는 회사가 전적으로 책임을 진다는 것을 수락하는 것이며 이러한 공급업체를 대신하여 저작권 위반에 관해 발생할 수 있는 모든 법적 소송으로부터 Aruba Networks, Inc.는 면책됩니다.

<b>본 안내서 정보</b>	<b>5</b>
안내서 개요	5
관련 문서	5
Dell에 문의	5
<b>1장 PowerConnectW-3000 시리즈 컨트롤러 정보</b>	<b>7</b>
최소 소프트웨어 요구 사항	7
패키지 체크리스트	7
모델 개요	8
1000Base-X(SFP) 포트	8
10/100/1000Base-T 기가비트 이더넷 포트	9
시리얼 콘솔 포트	9
시리얼 콘솔 포트 어댑터	9
AC 전원 소켓	10
LED 상태 표시등	10
<b>2장 W-3000 시리즈 컨트롤러 설치</b>	<b>13</b>
텔레콤 랙의 경우:	13
서버 랙의 경우:	13
텔레콤 랙에 설치	13
서버 랙에 설치	15
데이블에 설치	16
초기 설정 및 네트워크 연결	16
장치 분리	16
<b>부록 A 사양, 안전 및 규정 준수</b>	<b>17</b>
실제 사양	17
전원 관리 사양	17
전원 소비	17
전원 사양(AC 입력 요구 사항)	17
운용 사양	17
보관 사양	18
안전 및 규정 준수	18
FCC Class A 장치	18
Industry Canada	18
NOM 정보(멕시코만 해당)	19
Dell 장비의 적절한 폐기	19
EU RoHS	19





이 머리말에는 다음 정보가 들어 있습니다.

- 5페이지의 “안내서 개요”
- 5페이지의 “관련 문서”
- 5페이지의 “Dell에 문의”

## 안내서 개요

- 1장, 7페이지의 “PowerConnect W-3000 시리즈 컨트롤러 정보”에서는 W-3000 시리즈 컨트롤러 내의 3가지 컨트롤러인 W-3200, W-3400 및 W-3600에 대한 자세한 하드웨어 개요를 제공합니다.
- 2장, 13페이지의 “W-3000 시리즈 컨트롤러 설치”에서는 랙 장착 및 설치 지침을 제공합니다.
- 부록 A, 17페이지의 “사양, 안전 및 규정 준수”에는 제품 기술 사양과 안전 및 규정 준수 정보가 포함되어 있습니다.

## 관련 문서

다음 설명서는 이 안내서에서 참조되며 Dell 컨트롤러 모빌리티 컨트롤러의 성공적인 설치 및 관리에 필요한 전체 문서 중 일부입니다.

- *Dell PowerConnect ArubaOS Quick Start Guide*
- *Dell PowerConnect ArubaOS User Guide*
- *Dell PowerConnect ArubaOS 5.0 Command Line Reference*

## Dell에 문의

웹 사이트 지원	
메인 사이트	<a href="http://www.Dell.com">www.Dell.com</a>
지원 사이트	<a href="http://support.dell.com">support.dell.com</a>
Dell 문서	<a href="http://support.dell.com/manuals">support.dell.com/manuals</a>



PowerConnect W-3000 시리즈 컨트롤러는 3개의 기업용 무선 LAN 컨트롤러로 구성되어 있습니다. 이러한 컨트롤러는 무선 액세스 포인트(AP) 및 에어 모니터(AM)를 유선 LAN 시스템에 연결, 관리 및 지능적으로 통합합니다.

PowerConnect W-3000 시리즈 컨트롤러는 다음 모델로 구성되어 있습니다.

- W-3200 멀티서비스 컨트롤러  
W-3200은 최대 32개의 캠퍼스 연결 AP를 지원합니다.
- W-3400 멀티서비스 컨트롤러  
W-3400은 최대 64개의 캠퍼스 연결 AP를 지원합니다.
- W-3600 멀티서비스 컨트롤러  
W-3600은 최대 128개의 캠퍼스 연결 AP를 지원합니다.



**참고:** 기능과 관련있는 AP 라이선스는 AP 업그레이드 라이선스와는 별도로 계수됩니다. 자세한 소프트웨어 라이선스 옵션 및 지원 기능에 대해서는 Dell 담당자에게 문의하십시오.

## 최소 소프트웨어 요구 사항

W-3000 시리즈 컨트롤러에는 ArubaOS 5.0.2 이상이 필요합니다.



**참고:** 마스터 컨트롤러, 이중화 마스터 컨트롤러 및 모든 로컬 컨트롤러는 같은 ArubaOS 버전에서 실행해야 합니다. 네트워크를 업그레이드하고 네트워크에 W-3000 시리즈 컨트롤러를 설치했으면 컨트롤러의 소프트웨어 버전이 나머지 네트워크와 일치하는지 확인합니다. 컨트롤러의 버전이 업그레이드하기 이전 버전일 경우 컨트롤러의 코드를 업그레이드하여 나머지 컨트롤러와 일치시켜야 합니다.

## 패키지 체크리스트

- W-3000 시리즈 컨트롤러
- AC 전원 코드(국가마다 다름)
- 랙 장착 브래킷(랙 장착용 하드웨어 포함)
- 플랫 시리얼 케이블(RJ-45)
- 고무 다리(테이블에 설치할 때 사용)
- 시리얼 콘솔 포트 어댑터(RJ-45에서 DB9)
- *Dell PowerConnect ArubaOS Quick Start Guide*
- *최종 사용자 라이선스 계약(EULA)*
- *SERI(Safety, Environmental, and Regulatory Information)* 문서
- *WSI(Warranty and Support Information)* 문서



**참고:** 잘못되었거나 누락되었거나 손상된 부분이 있는 경우 공급업체에 알려 주십시오. 가능하면 원래 포장 재료뿐만 아니라 상자도 보관해 두십시오. 필요한 경우 이를 사용하여 장비를 다시 포장하고 공급업체에 반환하십시오.

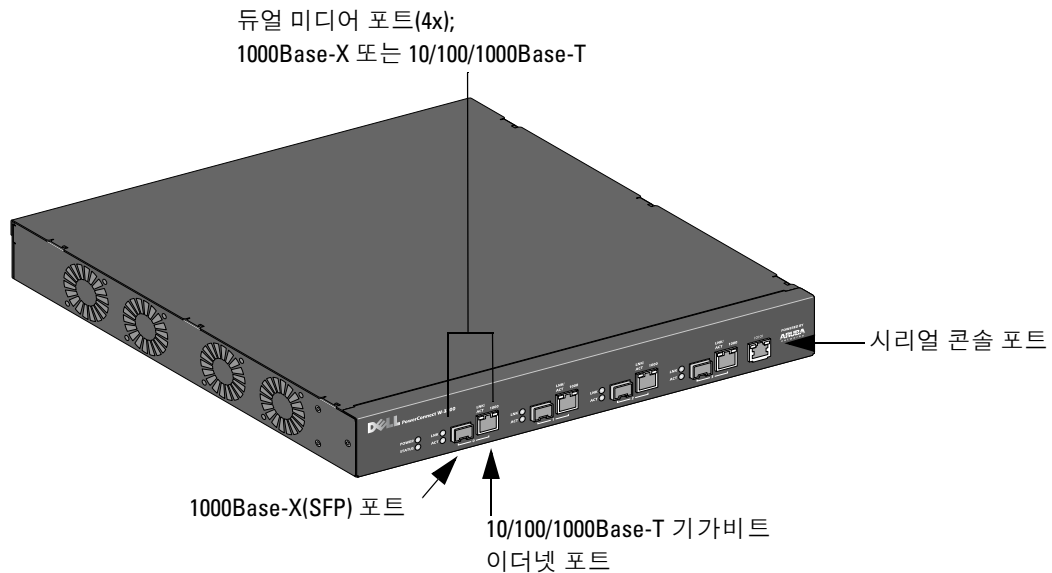


**참고:** SFP 모듈 같은 옵션 액세스러리는 W-3000 시리즈 컨트롤러와 함께 사용할 수 있으며 별도로 판매합니다. 자세한 내용과 지원에 대해서는 해당 지역 Dell 담당자에게 문의하십시오.

## 모델 개요

W-3000 시리즈 컨트롤러의 물리적 하드웨어 모델은 시리즈 내의 3개 모델 모두에 적용됩니다. 3개 컨트롤러 모델 사이의 차이점은 구입한 라이선싱 수준에 따라 다릅니다. 본 장 전체의 그림에 표시된 컨트롤러 모델은 W-3200입니다.

**그림 1** W-3200 전면 보기



**참고:** 포트 0~3은 듀얼 미디어 포트이며 제공된 1000Base-X 또는 10/100/1000Base-T 연결 중 하나를 사용할 수 있습니다. 그러나 1000Base-X 파이버 연결이 10/100/1000Base-T 코퍼 연결에 우선합니다. 1000Base-X 인터페이스용 링크가 감지되는 경우 10/100/1000Base-T 연결은 비활성화됩니다.

### 1000Base-X(SFP) 포트

파이버 연결 전용으로 1000Base-X 포트 4개가 있으며 Dell SFP(미니 GBIC)와 함께 사용합니다. 호환되는 SFP 모듈을 구입하려면 Dell 담당자에게 자세한 내용과 도움을 요청하십시오.

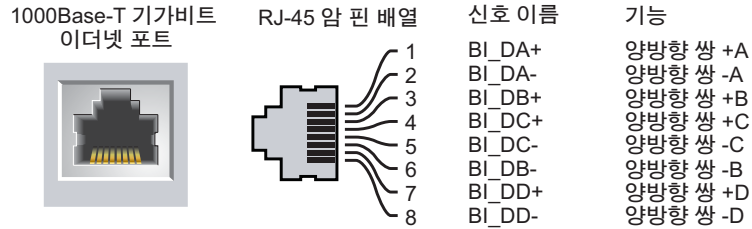


**참고:** Dell은 자사 컨트롤러 시스템에서 Dell 광학 기기를 테스트하여 지원합니다. 타사 광학 기기는 테스트되지 않았거나 지원되지 않으므로 Dell은 타사 광학 기기의 올바른 기능을 보장하지 않습니다.

## 10/100/1000Base-T 기가비트 이더넷 포트

4개의 10/100/1000Base-T 기가비트 이더넷 (RJ-45) 포트가 있습니다. 기가비트 이더넷에는 총 8개의 선이 사용되고 각 쌍은 양방향 방식으로 사용되므로 같은 쌍들은 데이터 송신 및 수신에 대해 사용됩니다. **그림 2**는 RJ-45 커넥터의 CAT-5의 핀 배열입니다. CAT-5 핀 배열 쌍은 1/2, 3/6, 4/5 및 7/8과 같이 10/100/1000Base-T 기가비트 이더넷 포트에 있는 핀입니다.

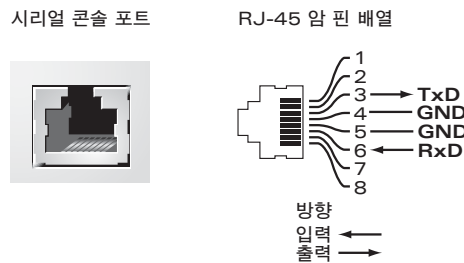
**그림 2** 기가비트 이더넷 포트 핀 배열



## 시리얼 콘솔 포트

터미널 연결을 위해 시리얼 콘솔 포트가 제공되므로 해당 컨트롤러를 직접 관리할 수 있습니다. 포트의 RJ-45 암 커넥터에는 수 커넥터가 있는 RS-232 시리얼 케이블을 사용할 수 있습니다.

**그림 3** 시리얼 콘솔 포트 핀 배열



시리얼 콘솔 포트에 대한 통신 설정은 **표 1**에 나열되어 있습니다.

**표 1** 콘솔 터미널 설정

전송 속도	데이터 비트	패리티	정지 비트	흐름 제어
9600	8	없음	1	없음



**주의:** 액세스 포인트(AP)를 시리얼 콘솔 포트에 연결하지 마십시오. 시리얼 콘솔 포트에는 RS-232 장치만 사용할 수 있습니다. AP와 같은 RS-232 장치가 아닌 장치는 사용할 수 없습니다.

## 시리얼 콘솔 포트 어댑터

모듈 어댑터를 사용하여 RJ-45(암) 커넥터를 DB9(수) 커넥터로 전환할 수 있습니다. 자세한 내용은 **그림 4**를 참조하십시오.

**그림 4** RJ-45(암)에서 DB-9(수)로 모듈 어댑터 전환

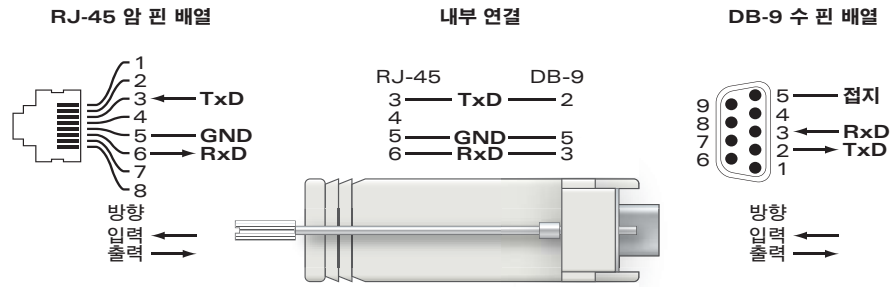
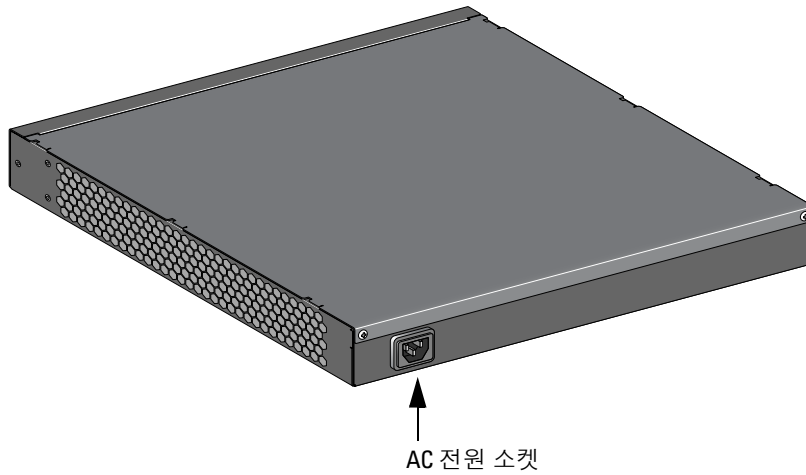


그림 5는 W-3200 후면 보기를 나타냅니다.

**그림 5** W-3200 후면 보기



### AC 전원 소켓

W-3000 시리즈 컨트롤러는 내장 AC 전원을 지원하고 이 장치의 후면에 있는 AC 전원 소켓에 AC 전원 코드 (국가마다 다름)를 사용합니다. 자세한 전원 사양에 대해서는 17페이지의 “전원 관리 사양”을 참조하십시오.

### LED 상태 표시등

**표 2** W-3000 시리즈 컨트롤러 LED 상태 표시등

LED	기능	표시등	상태
POWER	입력 전원 상태 표시등	켜짐(녹색 고정)	전원 켜짐
		꺼짐	전원 없음
STATUS	모듈 상태 표시등	켜짐(녹색 고정)	장치가 작동하는 중
		켜짐(빨간색 고정)	장치 실패
		켜짐(황색 고정)	장치에 소프트웨어를 로드하는 중
		꺼짐	전원 없음
LNK 1000Base-X 포트	연결 상태 표시등	켜짐(녹색 고정)	연결됨
		꺼짐	포트에 연결되지 않음

**표 2 W-3000 시리즈 컨트롤러 LED 상태 표시등**

LED	기능	표시등	상태
ACT 1000Base-X 포트	활동 상태 표시등	켜짐(녹색 깜박임)	포트를 통해 데이터를 송수신하는 중
		꺼짐	활동 없음
LNK/ACT 10/100/1000Base-T 포트	연결/작동 상태 표시등	켜짐(녹색 고정)	연결됨
		켜짐(녹색 깜박임)	포트를 통해 데이터를 송수신하는 중
1000 10/100/1000Base-T 포트	인터페이스 속도 표시등	켜짐(녹색 고정)	1000 Mbps 인터페이스 속도 사용 중
		꺼짐	10/100 Mbps 인터페이스 속도 사용 중





Dell PowerConnect W-3000 시리즈 컨트롤러를 설치하려면 다음 도구와 장비가 필요합니다.

- 랙 장착 브래킷(2개, 테이블에 설치하는 경우 필요하지 않음)
- 적절한 드라이버
- AC 전원 코드(국가마다 다름)



**경고:** 다음 절차를 수행하기 전에 컨트롤러와 함께 제공된 안전 지침을 검토하십시오.

### 텔레콤 랙의 경우:

- 6-32 x 1/4" 십자 머리 나사(6개 포함)
- 12-24 x 5/8" 십자 머리 나사(4개 포함)

### 서버 랙의 경우:

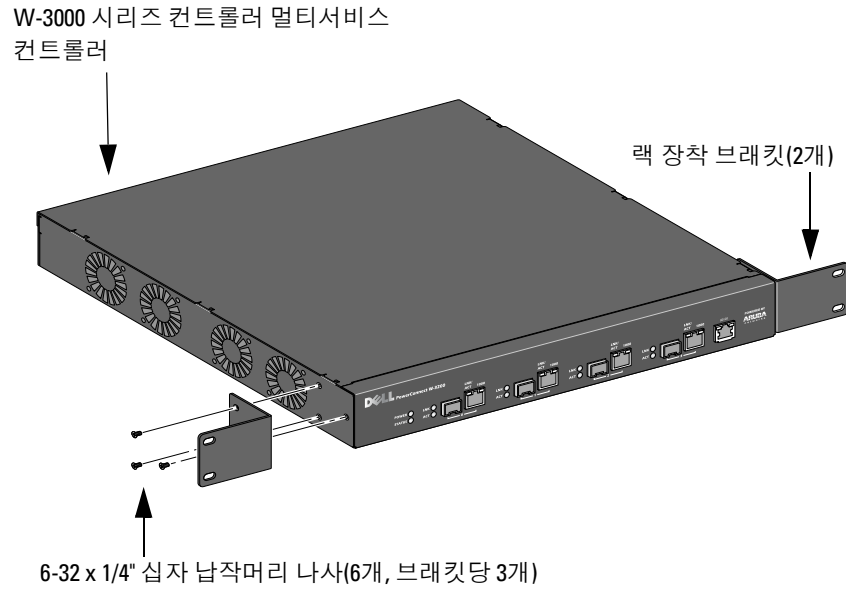
- 6-32 x 1/4" 십자 머리 나사(6개 포함)
- M6 x 20mm 십자 머리 나사(4x개 포함)
- M6 케이지 너트(4개 포함) 또는 M6 케이지 클립(4개 포함)

## 텔레콤 랙에 설치

W-3000 시리즈 컨트롤러를 48.26cm(19인치) 랙 시스템에 설치하려면:

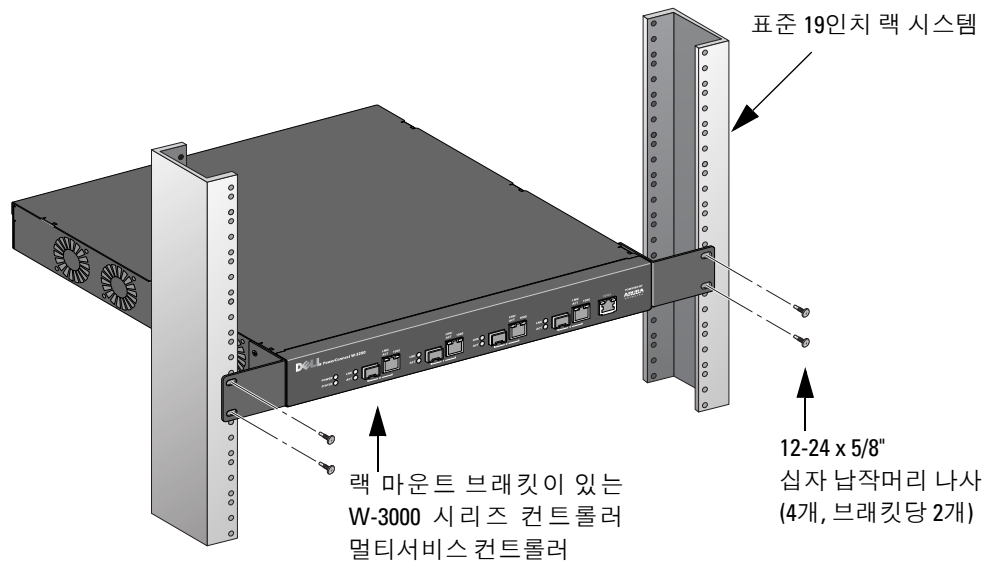
1. 컨트롤러 양쪽에 있는 장착 구멍에 랙 장착 브래킷을 놓습니다([그림 1](#) 참조).
2. 세 개의 6-32 x 1/4" 십자 납작머리 나사와 드라이버를 사용하여 컨트롤러에 브래킷을 고정합니다.
3. 컨트롤러의 다른 쪽에도 이렇게 합니다.

## 그림 1 랙 장착 브래킷



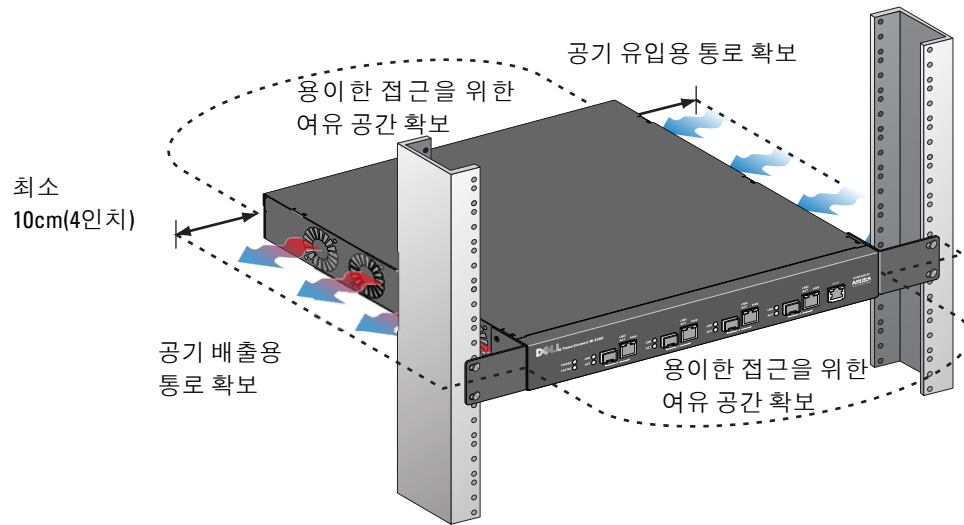
4. 네 개의 12-24 x 5/8" 십자 납작머리 나사와 드라이버를 사용하여 랙 시스템에 컨트롤러를 장착합니다(그림 2 참조).

## 그림 2 랙 장착 설치



5. 통풍을 위해 이 장치의 왼쪽 및 오른쪽에 최소 10cm(4인치)의 공간을 남겨둡니다(그림 3 참조).
6. 앞과 뒤쪽에는 전원 코드, 네트워크 케이블 및 LED 상태 표시등을 넣을 여유 공간을 남겨둡니다(그림 3 참조).

**그림 3** 공기 흐름 요구 사항



7. AC 전원 코드(국가마다 다름)를 장치의 뒤쪽에 연결합니다.
8. 컨트롤러에 전기를 공급하기 위해 전원 코드의 반대쪽을 콘센트에 연결합니다.

## 서버 랙에 설치

W-3000 시리즈 컨트롤러 컨트롤러를 48.26cm(19인치) 서버 랙 시스템에 설치하려면:



**참고:** 다음 지침은 나사산이 없는 사각 구멍을 가진 랙에 컨트롤러를 설치하는 것을 설명합니다. 나사산이 없는 둥근 구멍을 가진 랙의 경우 대신 제공된 클립 너트를 사용합니다.

1. 컨트롤러 양쪽에 있는 장착 구멍에 랙 장착 브래킷을 놓습니다(그림 1 참조).
2. 세 개의 6-32 x 1/4" 십자 머리 나사와 드라이버를 사용하여 컨트롤러에 브래킷을 고정합니다.
3. 컨트롤러의 다른 쪽에도 이렇게 합니다.
4. 네 개의 케이지 너트를 설치합니다.
  - a. 케이지의 아래쪽 클립을 삽입하되 레일 뒷면의 사각형 입구 위로 삽입하여 시작합니다.
  - b. 케이지 너트 설치 도구의 작은 끝을 전방에서 보았을 때 레일의 입구를 통해 삽입하고 케이지 너트의 상단 끝에 도구를 겁니다.
  - c. 도구를 위로 회전하고 케이지 너트의 상단 끝이 제 위치에 끼워질 때까지 도구를 사용자 쪽으로 당기면서 레일 방향으로 케이지 너트를 누릅니다.
5. 네 개의 M6 x 20mm 십자 머리 나사와 드라이버를 사용하여 랙 시스템에 컨트롤러를 장착합니다.
6. 통풍을 위해 이 장치의 왼쪽 및 오른쪽에 최소 10cm(4인치)의 공간을 남겨둡니다(그림 3 참조).
7. 앞과 뒤쪽에는 전원 코드, 네트워크 케이블 및 LED 상태 표시등을 넣을 여유 공간을 남겨둡니다(그림 3 참조).
8. AC 전원 코드(국가마다 다름)를 장치의 뒤쪽에 연결합니다.
9. 컨트롤러에 전기를 공급하기 위해 전원 코드의 반대쪽을 콘센트에 연결합니다.



**참고:** W-3000 시리즈 컨트롤러에는 전원 켜기/끄기 스위치가 없습니다. 장치 전원은 전원 코드 플러그를 전기 콘센트에 꽂거나 분리하는 것으로 통제됩니다.

## 테이블에 설치

W-3000 시리즈 컨트롤러를 테이블과 같이 평평한 곳에 설치하려면:

1. 고무 장착 다리 4개를 장치 밑에 놓습니다.
2. 측면 베젤을 제 위치에 끼워 부착합니다.
3. 장치를 평평한 곳에 놓습니다.

## 초기 설정 및 네트워크 연결

장치를 설치했으면 컨트롤러에서 초기 설정을 수행하여 IP 주소와 기타 기본적인 시스템 정보를 구성합니다. 자세한 내용과 지침을 보려면 *ArubaOS Quick Start Guide*에서 컨트롤러에 설치된 소프트웨어 버전을 참조하십시오.

## 장치 분리

W-3000 시리즈 컨트롤러를 48.26cm(19인치) 랙 시스템에서 분리하려면:

1. 콘센트에서 전원 코드를 뽑아 컨트롤러의 전기 공급을 중단합니다.
2. 컨트롤러에 연결된 모든 케이블 또는 장치를 분리합니다.
3. 컨트롤러와 랙 시스템을 고정한 랙 장착 나사 4개를 풀습니다.
4. 랙 시스템에서 컨트롤러를 분리합니다.

## 실제 사양

- 장치 치수(랙 장착 브래킷 제외)(HxWxD):
  - 모든 모델: 1.75" x 13.8" x 11.7"
  - 모든 모델: 44mm x 351mm x 297mm

장치 무게(랙 장착 브래킷 포함):

- W-3200: 7.1lbs/3.2kgs
- W-3400/W-3600: 7.4lbs/3.4kgs
- 선적 치수(높이x폭x길이)
  - 모든 모델: 6.5" x 18.2" x 16.5"
  - 모든 모델: 165mm x 462mm x 419mm
- 선적 무게:
  - W-3200: 9.4lbs/4.3kgs
  - W-3400/W-3600: 9.7lbs/4.4kgs

## 전원 관리 사양

### 전원 소비

- W-3200: 최대 35W
- W-3400: 최대 45W
- W-3600: 최대 60W

### 전원 사양(AC 입력 요구 사항)

- W-3200:
  - AC 입력 전압: 90-264V~, 범용 입력
  - AC 입력 전류: 1.5A
  - AC 입력 주파수: 47-63Hz
- W-3400/W-3600:
  - AC 입력 전압: 90-264V~, 범용 입력
  - AC 입력 전류: 2.2A
  - AC 입력 주파수: 47-63Hz

## 운용 사양

- 운용 온도 범위: 0°C ~ 40°C(32°F ~ 104°F)
- 운용 습도 범위: 5% ~ 95%(RH), 비응축

## 보관 사양

- 보관 온도 범위: 0°C ~ 50°C(32°F ~ 122°F)
- 보관 습도 범위: 5% ~ 95%(RH), 비응축

## 안전 및 규정 준수

Dell은 모든 Dell 하드웨어 제품에 대한 국가 특정 제한 및 추가 안전과 규정 정보가 들어 있는 다국어 문서를 제공합니다. Dell PowerConnect W-Series Safety, Environmental, and Regulatory Information 문서는 본 제품에 포함되어 있습니다.



**주의:** 이 설명서에 명시한 것 이외의 컨트롤 사용이나 성능 또는 절차를 조정하면 위험한 방사선 노출이 발생할 수 있습니다.

이 제품은 21 CFR Chapter 1, Subchapter J, Part 1040.10 및 IEC 60825-1: 1993, A1: 1997, A2: 2001, IEC 60825-2: 2000을 준수합니다.

앞서 설명한 레이저 안전 표준을 계속 준수하려면 승인된 공급업체의 승인된 Class 1 모듈만 Dell 제품에 설치해야 합니다.

### FCC Class A 장치

이 장치는 FCC 규정 Part 15에 준하여 테스트되었으며 Class A 디지털 장치의 제한을 준수하는 것으로 판명되었습니다. 이런 제한은 장비를 상업적인 환경에서 운용할 때 유해한 혼신으로부터 적절히 보호하기 위해 도입되었습니다. 이 장비는 무선 주파수 에너지를 생성, 사용 및 방사할 수 있으며 지침 설명서에 맞게 설치 및 사용하지 않는 경우 무선 통신에 유해한 혼신이 발생할 수 있습니다. 거주 지역에서 이 장비를 운용하는 경우 유해한 혼신이 발생할 수 있으며 이 경우 사용자 스스로 이런 영향이 발생하지 않도록 해야 합니다.

### Industry Canada

이 클래스 A 디지털 장비는 Canadian ICES-003을 준수합니다.

Cet appareil numérique de la classe A est conforme à la norme NMB-003 du Canada.

## NOM 정보(멕시코만 해당)

다음 정보는 공식 멕시코 표준(NOM)의 요구 사항을 준수하여 이 문서에서 설명하는 장치에 제공됩니다.

수입자: Dell Inc. de Mexico, S.A. de C.V.  
Paseo de la Reforma 2620-11° Piso  
Col. Lomas Atlas  
11950 Mexico, D.F.

모델 번호: 3200

- 공급 전압: 90-264V AC
- 주파수: 47-63Hz
- 전류 소비: 1.5A

모델 번호: 3400/3600

- 공급 전압: 90-264V AC
- 주파수: 47-63Hz
- 전류 소비: 2.2A

## Dell 장비의 적절한 폐기

지구 환경 준수 및 Dell 제품에 대한 최신 정보는 당사의 웹 사이트인 [www.dell.com](http://www.dell.com)을 참조하십시오.

### EU RoHS

**RoHS** Dell 제품은 EU RoHS(Restriction of Hazardous Substances) 지침 2002/95/EC도 준수합니다. EU RoHS는 전기 및 전자 장비 제조업체에서 특정한 위험 물질의 사용을 제한합니다. 특히 RoHS 지침에서 제한하는 물질은 납(인쇄된 회로 어셈블리에서 사용하는 땀납 포함), 카드뮴, 수은, 6가 크롬 및 브롬입니다. 일부 Dell 제품은 RoHS 지침 Annex 7에 나열된 면제에 적용됩니다(인쇄 회로 어셈블리에 사용되는 땀납의 납). 제품과 포장에는 왼쪽의 “RoHS” 레이블이 부착되어 있으며, 이는 지침에 대한 준수를 나타내는 것입니다.





# Dell PowerConnect W-3000 系列控制器 安裝指南



## 版權

© 2010 Aruba Networks, Inc. AirWave®、Aruba Networks®、Aruba Mobility Management System®、及其他註冊商標是 Aruba Networks, Inc. 的商標。Dell™、DELL™ 商標及 PowerConnect™ 是 Dell Inc. 的商標。

保留所有權利。本手冊規格如有改變，恕不通知。

源於美國。本手冊中出現的其他商標都是其各自公司的財產。

## 開放原始碼

某些 Aruba 產品包含由協力供應商開發的開放源軟體代碼，其中包括須遵照 GNU 通用公共許可證 (General Public License, GPL)、GNU 寬通用公共許可證 (Lesser General Public License, LGPL) 或其他開放源許可證規定使用的軟體代碼。可在以下網站上找到所使用的開放原始碼：

[http://www.arubanetworks.com/open\\_source](http://www.arubanetworks.com/open_source)

## 法律聲明

任何個人或公司，只要其使用 Aruba Networks, Inc. 交換平台和軟體來端接其他供應商的 VPN 用戶端設備，即表明該人或公司對此行為承擔全部責任，並會代表這些供應商，在 Aruba Networks, Inc. 萬一遭受任何以及所有與版權侵犯有關的法律訴訟時，為其承擔全部傷害和損失賠償。

<b>關於本指南</b>	<b>5</b>
指南總覽	5
相關文件	5
聯絡 Dell	5
<b>第 1 章</b>	<b>關於 PowerConnect W-3000 系列控制器</b>
最低軟體要求	7
包裝核對清單	7
型號摘要	8
1000Base-X (SFP) 埠	8
10/100/1000Base-T 十億位元乙太網路埠	8
串列控制臺埠	9
串列控制臺埠連接器	9
交流電源插座	10
LED 狀態指示燈	10
<b>第 2 章</b>	<b>安裝 W-3000 系列控制器</b>
對於電信機架：	11
對於伺服器機架：	11
在電信機架中安裝	11
在伺服器機架中安裝	13
桌面部署	13
初始設定與網路連接	13
拆卸	13
<b>附錄 A</b>	<b>規格、安全性與符合規範</b>
實體規格	15
電源管理規格	15
功率消耗	15
電源規格 (AC 輸入要求)	15
工作規格	15
儲存規格	16
安全性及符合規範	16
FCC A 級裝置	16
加拿大工業部	16
NOM 資訊 (僅墨西哥)	17
Dell 設備的正確處置	17
歐盟 RoHS	17



本前言包括以下資訊：

- [第 5 頁的「指南總覽」](#)
- [第 5 頁的「相關文件」](#)
- [第 5 頁的「聯絡 Dell」](#)

## 指南總覽

- [第 1 章，「關於 PowerConnect W-3000 系列控制器」（第 7 頁）](#) 介紹了 W-3000 系列控制器內以下三種控制器詳細的硬體摘要情況：W-3200、W-3400 和 W-3600。
- [第 2 章，「安裝 W-3000 系列控制器」（第 11 頁）](#) 提供機架安裝和安裝說明。
- [附錄 A，「規格、安全性與符合規範」（第 15 頁）](#) 包含產品技術規格和安全以及符合規範資訊。

## 相關文件

本指南中引用了以下文件，可以將它們視為成功執行 Dell 控制器安裝和管理所需的完整文件集的組成部分：

- *Dell PowerConnect ArubaOS 快速入門指南*
- *Dell PowerConnect ArubaOS 使用者指南*
- *Dell PowerConnect ArubaOS 5.0 指令行參考*

## 聯絡 Dell

網站支援	
主網站	<a href="http://www.dell.com">www.dell.com</a>
支援網站	<a href="http://support.dell.com">support.dell.com</a>
Dell 文件	<a href="http://support.dell.com/manuals">support.dell.com/manuals</a>



PowerConnect W-3000 系列控制器包括三個企業級無線 LAN 控制器。這些控制器連接、控制並智慧地將無線接入點 (Access Point, AP) 和無線監測器 (Air Monitor, AM) 整合為有線 LAN 系統。

PowerConnect W-3000 系列控制器包括以下型號：

- W-3200 多服務控制器  
W-3200 最多能夠支援 32 個已連接園區的 AP。
- W-3400 多服務控制器  
W-3400 最多能夠支援 64 個已連接園區的 AP。
- W-3600 多服務控制器  
W-3600 最多能夠支援 128 個已連接園區的 AP。



**注意：**選件相關的 AP 許可單獨計數，不含 AP 升級許可的數量。有關軟體許可方案與支援能力完整的詳細資訊，請聯絡您的 Dell 代表。

## 最低軟體要求

W-3000 系列控制器要求使用 ArubaOS 5.0.2 或更高版本。



**注意：**主控制器、其備用主控制器以及它的所有本地控制器都必須執行相同版本的 ArubaOS。當您升級網路並將 W-3000 系列控制器安裝到您的網路中後，請確認控制器上的軟體版本是否與網路其餘部分所使用的軟體版本一致。如果控制器上自帶的軟體版本早於網路升級後的版本，則您必須升級控制器上的軟體版本，使之與網路其餘部分所使用的軟體版本一致。

## 包裝核査清單

- W-3000 系列控制器
- 交流電源線（因國家而異）
- 機架安裝托架，含金屬構件（用於進行機架安裝）
- 扁型串列電纜 (RJ-45)
- 橡膠腳墊（用於桌面部署）
- 串列控制臺埠連接器（RJ-45 轉 DB9）
- *Dell PowerConnect ArubaOS 快速入門指南*
- *最終使用者許可合約 (End User License Agreement, EULA)*
- *安全、環保和符合規範資訊 (Safety, Environmental, and Regulatory Information, SERI) 文件*
- *保修和支援資訊 (Warranty and Support Information, WSI) 文件*



**注意：**如果發現任何不正確、缺失或損壞的部件，請通知您的供應商。請盡可能保留包裝箱，包括原始包裝材料。必要時，可以利用這些材料重新包裝裝置，將其退回給供應商。

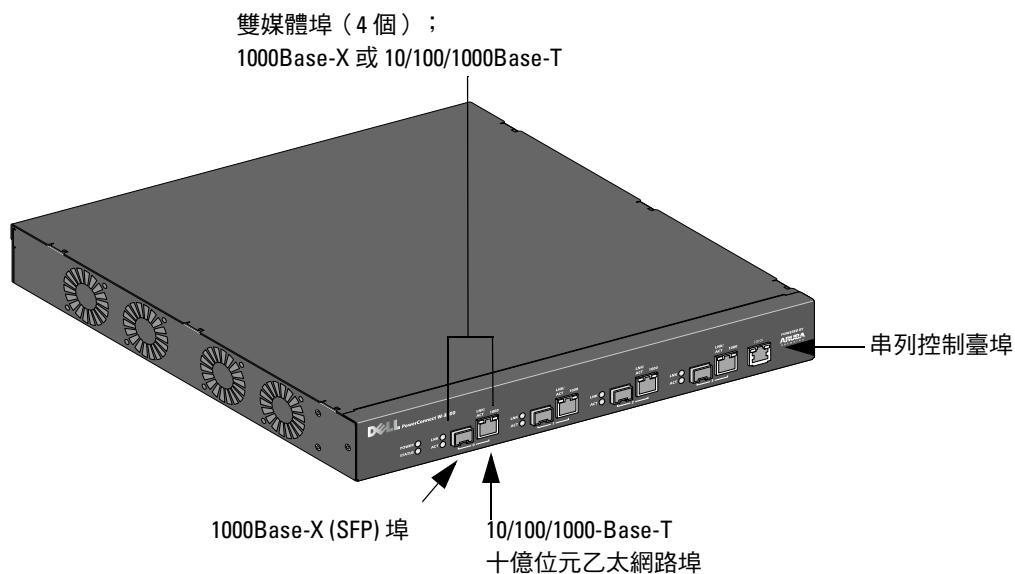


**注意：** 供與 W-3000 系列控制器一起使用的可選附件（如 SFP 模組）需另購。要了解詳細資訊以及獲得協助，請聯絡您的 Dell 代表。

## 型號摘要

W-3000 系列控制器的物理硬體型號摘要涵蓋該系列內的所有三個型號。三個控制器型號之間的差異取決於所購買的許可等級。本章各處插圖中所示的控制器型號為 W-3200。

**圖 1** W-3200 正視圖



**注意：** 埠零至三是雙媒體埠，可以利用所提供的 1000Base-X 或 10/100/1000Base-T 連接。不過，1000Base-X 光纖連接優先於 10/100/1000Base-T 銅連接。檢測到 1000Base-X 介面有鏈路時，10/100/1000Base-T 連接會被停用。

### 1000Base-X (SFP) 埠

有四個專用於光纖連接的 1000Base-X 組合埠，專供與 Dell SFP（迷你 GBIC）配合使用。

要購買相容的 SFP 模組，請聯絡您的 Dell 代表，以了解詳細資訊和獲得協助。



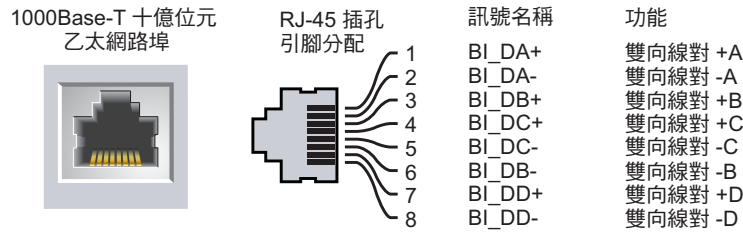
**注意：** Dell 對在其控制器系統內使用 Dell 光纖產品進行了測試，並支援使用這些產品。協力供應商光纖產品未經過測試或得到支援，因此，Dell 不能保證使用協力供應商光纖產品時能夠發揮它們的正常功能。

### 10/100/1000Base-T 十億位元乙太網路埠

共有四個 10/100/1000Base-T 十億位元乙太網路 (RJ-45) 埠。十億位元乙太網路使用所有八條芯線，每一對芯線都以雙向方式使用，也就是說，同一芯線對既用於資料傳輸，又用於資料接收。圖 2 圖解說明了 RJ-45 連接器上的 CAT-5 引腳分配。CAT-5 引腳分配將 10/100/1000Base-T 十億位元乙太網路埠上的以下引腳組對：1/2、3/6、4/5 和 7/8。



圖 2 十億位元乙太網路埠引腳分配



## 串列控制臺埠

提供了一個串列控制臺埠，用於與終端相連，以實現直接本地管理。該埠的 RJ-45 插孔連接器接受帶有插頭連接器的 RS-232 串列電纜。

圖 3 串列控制臺埠引腳分配

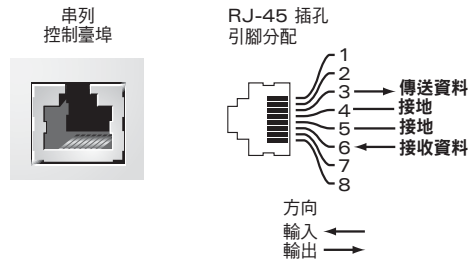


表 1 中列有串列控制臺埠的通訊設定。

表 1 控制臺終端設定

串列傳輸速率	數據位元	奇偶驗證	停止位	流控制
9600	8	無	1	無



**小心：** 請勿將接入點 (Access Point, AP) 連接到串列控制臺埠。串列控制臺埠只相容 RS-232 裝置。不支援非 RS-232 裝置，例如 AP。

## 串列控制臺埠連接器

可以使用模組連接器將 RJ-45 (插孔) 連接器轉換為 DB9 (插頭) 連接器。有關完整的詳細資訊，請參閱圖 4。

圖 4 RJ-45 (插孔) 轉 DB-9 (插頭) 模組連接器轉換

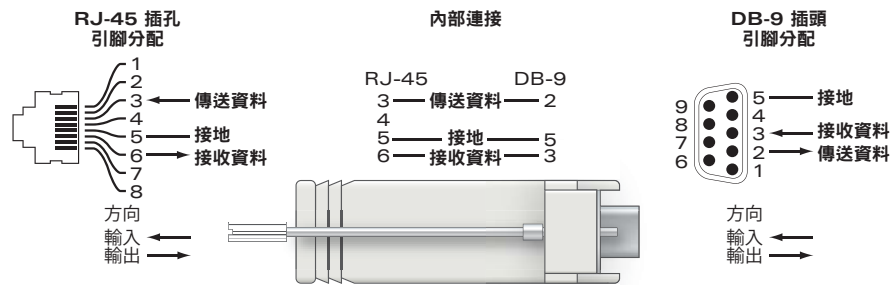
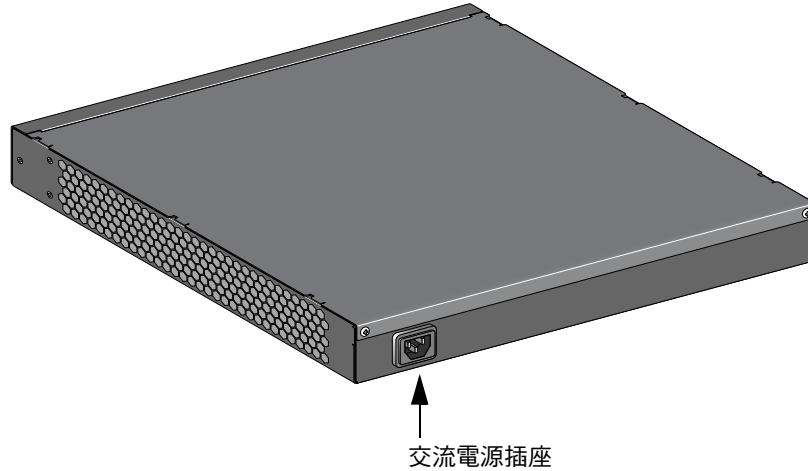


圖 5 為 W-3200 後視圖。

圖 5 W-3200 後視圖



### 交流電源插座

W-3000 系列控制器支援整合式交流供電，裝置後部的交流電源插座供與交流電源線（因國家而異）配合使用。有關電源規格的詳細資訊，請參閱第 15 頁的「電源管理規格」。

### LED 狀態指示燈

表 2 W-3000 系列控制器 LED 狀態指示燈

LED	功能	指示燈	狀態
POWER（電源）	輸入電源狀態指示燈	亮（綠燈常亮）	通電
		不亮	不通電
STATUS（狀態）	模組狀態指示燈	亮（綠燈常亮）	裝置執行中
		亮（紅燈常亮）	裝置出現故障
		亮（黃燈常亮）	裝置正在載入軟體
		不亮	不通電
LNK 1000Base-X 埠	鏈路狀態指示燈	亮（綠燈常亮）	鏈路已建立
		不亮	埠上無鏈路
ACT 1000Base-X 埠	活動狀態指示燈	亮（閃爍綠燈）	埠正在傳輸或接收資料
		不亮	無活動
LNK/ACT 10/100/1000Base-T 埠	鏈路/工作狀態指示燈	亮（綠燈常亮）	鏈路已建立
		亮（閃爍綠燈）	埠正在傳輸或接收資料
		不亮	埠上無鏈路
1000 10/100/1000Base-T 埠	介面速度指示燈	亮（綠燈常亮）	1000 Mbps 介面速度使用中
		不亮	10/100 Mbps 介面速度使用中

安裝 Dell PowerConnect W-3000 系列控制器必須具備下列工具和設備：

- 機架安裝托架（2 個，進行桌面安裝時不使用）
- 適用的螺絲刀
- 交流電源線（因國家而異）



**警告：** 在執行以下步驟之前，請檢視控制器附帶的安全說明。

### 對於電信機架：

- 6-32 x 1/4" 十字槽沉頭螺絲（6 個，附帶）
- 12-24 x 5/8" 十字槽沉頭螺絲（4 個，附帶）

### 對於伺服器機架：

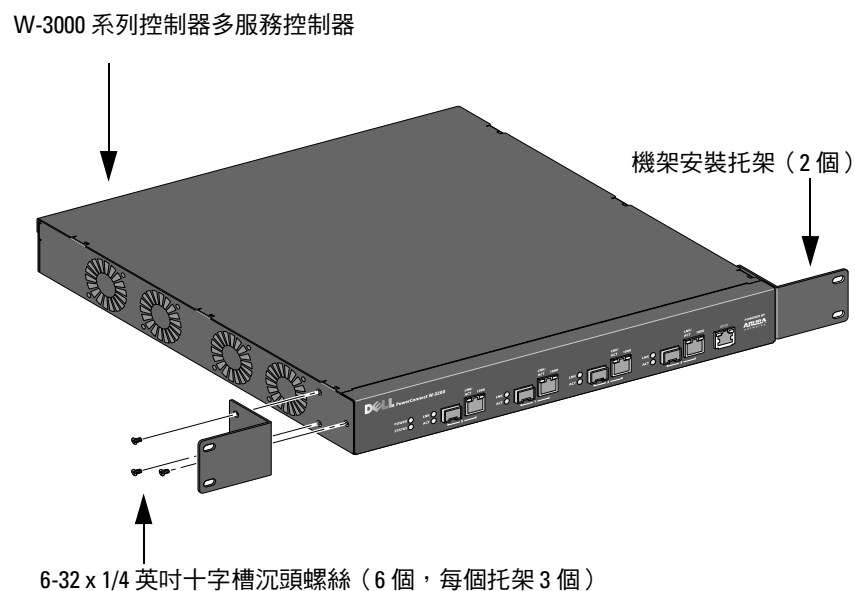
- 6-32 x 1/4" 十字槽沉頭螺絲（6 個，附帶）
- M6 x 20mm 十字槽沉頭螺絲（4 個，附帶）
- M6 鎖緊螺帽（4 個，附帶）或 M6 鎖緊夾（4 個，附帶）

## 在電信機架中安裝

要將 W-3000 系列控制器安裝到 19 英吋（48.26 釐米）機架系統中：

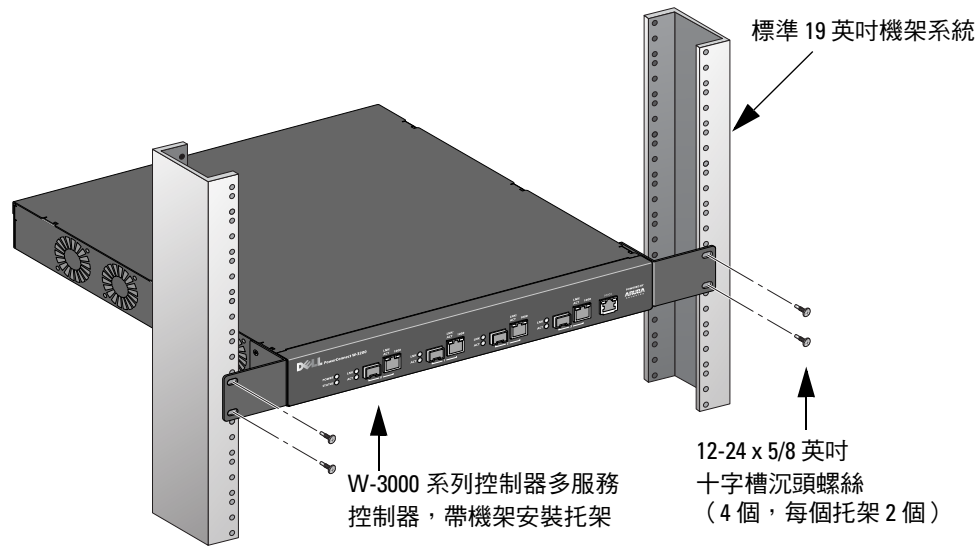
1. 將一個機架安裝托架置於控制器一側的安裝孔上（請參閱圖 1）。
2. 使用三個 6-32 x 1/4 英吋十字槽沉頭螺絲和一把適用的螺絲刀將托架固定在控制器上。
3. 在控制器的對側重複以上步驟。

**圖 1** 機架安裝托架



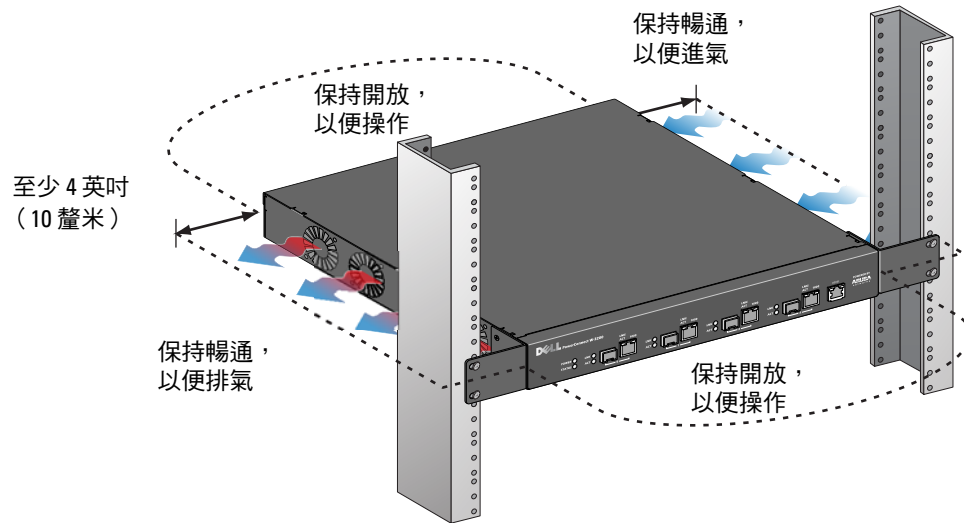
4. 使用四個 12-24 x 5/8 英寸十字槽沉頭螺絲和一把適用的螺絲刀將控制器安裝到貴組織的機架系統內（請參閱圖 2）。

**圖 2 機架安裝**



5. 在裝置的左右兩側至少留出四英寸（10 釐米）的空間，以便氣流通暢和通風（請參閱圖 3）。
6. 在裝置的前部和後部留出額外空間，以便插接電源線、網線，以及檢視 LED 狀態指示燈（請參閱圖 3）。

**圖 3 空氣流動要求**



7. 將交流電源線（因國家而異）連接到裝置後部。
8. 將電源線的一端插入電源插座，以通電啟動控制器。

## 在伺服器機架中安裝

要將 W-3000 系列控制器安裝到 19 英吋（48.26 釐米）伺服器機架系統中：



**注意：** 下列說明說明了在具有無螺紋方形孔的機架中安裝控制器的步驟。對於具有無螺紋圓形孔的機架，請改用提供的對開螺帽。

1. 將一個機架安裝托架置於控制器一側的安裝孔上（請參閱圖 1）。
2. 使用三個 6-32 x 1/4 英吋十字槽沉頭螺絲和一把適用的螺絲刀將托架固定在控制器上。
3. 在控制器的對側重複以上步驟。
4. 安裝四個鎖緊螺帽。
  - a. 先插入鎖緊螺帽的下緣，但要位於軌道後部方形開口上方。
  - b. 將鎖緊螺帽安裝工具的小端穿過軌道中的開口（從前部），將工具鉤在鎖緊螺帽的上緣上。
  - c. 將鎖緊螺帽朝著軌道推入，同時向上轉動工具，並朝著您的方向回拉工具，直至鎖緊螺帽的上緣「啞嗒」一音效卡入到位。
5. 使用四個 M6 x 20mm 十字槽沉頭螺絲和一把適用的螺絲刀將控制器安裝到貴組織的機架系統內。
6. 在裝置的左右兩側至少留出四英吋（10 釐米）的空間，以便氣流通暢和通風（請參閱圖 3）。
7. 在裝置的前部和後部留出額外空間，以便插接電源線、網線，以及檢視 LED 狀態指示燈（請參閱圖 3）。
8. 將交流電源線（因國家而異）連接到裝置後部。
9. 將電源線的另一端插入電源插座，為控制器供電。



**注意：** W-3000 系列控制器沒有開啟/關閉電源的開關。透過將電源線插頭插入電源插座（或拔出插頭）來控制給裝置的供電。

## 桌面部署

要將 W-3000 系列控制器部署在平面（例如桌面）上：

1. 將四個安裝橡膠墊插入裝置底部。
2. 按壓側蓋板，使其吧嗒一音效卡入到位。
3. 將裝置置於一個堅固的平面上。

## 初始設定與網路連接

物理安裝完成後，在控制器上執行初始設定，以組態 IP 位址和其他基本系統資訊。有關完整的詳細資訊和說明，請參閱 *ArubaOS 快速入門指南* 中有關您的控制器上所安裝軟體版本的資訊。

## 拆卸

要將 W-3000 系列控制器從 19 英吋（48.26 釐米）機架系統上卸下：

1. 從電源插座上拔出電源線，斷開給控制器的供電。
2. 斷開與控制器相連的所有其他電纜或裝置。
3. 鬆開用於將控制器固定在貴組織機架系統上的四個機架安裝螺絲。
4. 從機架系統上卸下控制器。



## 實體規格

- 裝置尺寸 (不含機架安裝托架) (高 x 寬 x 深):
  - 所有型號: 1.75" x 13.8" x 11.7"
  - 所有型號: 44 mm x 351 mm x 297 mm

裝置重量 (含機架安裝托架):

- W-3200: 7.1 lb/3.2 kg
- W-3400/W-3600: 7.4 lb/3.4 kg
- 包裝尺寸 (高 x 寬 x 深):
  - 所有型號: 6.5" x 18.2" x 16.5"
  - 所有型號: 165 mm x 462 mm x 419 mm
- 運輸重量:
  - W-3200: 9.4 lb/4.3 kg
  - W-3400/W-3600: 9.7 lb/4.4 kg

## 電源管理規格

### 功率消耗

- W-3200: 最大 35W
- W-3400: 最大 45W
- W-3600: 最大 60W

### 電源規格 (AC 輸入要求)

- W-3200:
  - 交流輸入電壓: 約 90-264 V, 通用輸入
  - AC 輸入電流: 1.5 A
  - 交流輸入頻率: 47-63 Hz
- W-3400/W-3600:
  - 交流輸入電壓: 約 90-264 V, 通用輸入
  - AC 輸入電流: 2.2 A
  - 交流輸入頻率: 47-63 Hz

## 工作規格

- 工作溫度範圍: 0°C 至 40°C (32°F 至 104°F)
- 工作濕度範圍: 5% 至 95% (相對濕度), 無冷凝

## 儲存規格

- 儲存溫度範圍：0°C 至 50°C（32°F 至 122°F）
- 儲存濕度範圍：5% 至 95%（相對濕度），無冷凝

## 安全性及符合規範

Dell 提供了一個多語言文件，其中包含所有 Dell 硬體產品的國家特定限制以及其他安全性和符合規範資訊。本產品附帶了 Dell PowerConnect W 系列安全、環保和符合規範資訊文件。



**小心：** 所進行的效能或程式控制或調整如果不是本手冊中規定的控制和調整，可能會導致危險的輻射暴露。

本產品符合 21 CFR 第 1 章第 J 分章第 1040.10 部分，以及 IEC 60825-1:1993、A1:1997、A2:2001、IEC 60825-2:2000。

要繼續遵守以上雷射安全標準，應在 Dell 產品中安裝由我們認可的供應商生產的、經過認證的 1 類模組。

### FCC A 級裝置

本設備經測試證明符合 FCC 規章第 15 部分有關 A 級數位裝置的限制規定。這些限制旨在對設備在商務環境中工作時產生的有害干擾提供合理防護。本設備可產生、使用並會發射無線射頻能量，如果不按照說明手冊進行安裝和使用，有可能對無線電通訊產生有害的干擾。在住宅區執行本設備可能會導致有害干擾，發生有害干擾時，使用者必須修正干擾並承擔相應的費用。

### 加拿大工業部

本 A 級數位裝置符合加拿大 ICES-003 標準。

Cet appareil numérique de la classe A est conforme à la norme NMB-003 du Canada.



## NOM 資訊 (僅墨西哥)

按照墨西哥官方標準 (NOM) 的要求，本文件所述裝置上提供了下列資訊：

進口商： Dell Inc. de Mexico, S.A. de C.V.  
Paseo de la Reforma 2620-11° Piso  
Col. Lomas Atlas  
11950 Mexico, D.F.

型號：3200

- 電源電壓：90-264 V AC
- 頻率：47-63 Hz
- 電流消耗：1.5 A


型號：3400/3600

- 電源電壓：90-264 V AC
- 頻率：47-63 Hz
- 電流消耗：2.2 A

## Dell 設備的正確處置

有關全球環境符合性以及 Dell 產品的最新資訊，請瀏覽我們的網站 [www.dell.com](http://www.dell.com)。

### 歐盟 RoHS

 Dell 產品也遵守歐盟的 2002/95/EC 號危害物質限用 (Restriction of Hazardous Substances, RoHS) 法令。歐盟 RoHS 限制在電氣和電子設備的生產中使用某些有害物質。具體地講，RoHS 法令所規定的限用材料為：鉛（包括印刷電路元件中使用的焊料）、鎘、汞、六價鉻及溴。某些 Dell 產品符合 RoHS 法令附錄 7 中所列的豁免規定（關於印刷電路組件所用焊料中的鉛）。產品和包裝上將貼有左圖所示的「RoHS」標籤，以表明其符合該法令的要求。



# Dell PowerConnect W-3000 系列控制器 安装指南



## 版权

版权所有 2010 Aruba Networks, Inc. AirWave®、Aruba Networks®、Aruba Mobility Management System®、及其它注册商标是 Aruba Networks, Inc. 的商标。Dell™、DELL™ 徽标及 PowerConnect™ 是 Dell Inc. 的商标。

版权所有 保留所有权利。本手册规格如有变动，恕不通知。

源于美国。本手册中出现的其它商标都是其各自公司的财产。

## 开放源代码

某些 Aruba 产品包含由第三方开发的开放源软件代码，其中包括须遵照 GNU 通用公共许可证 (General Public License, GPL)、GNU 宽通用公共许可证 (Lesser General Public License, LGPL) 或其它开放源许可证规定使用的软件代码。可在以下站点上找到所使用的开放源代码：

[http://www.arubanetworks.com/open\\_source](http://www.arubanetworks.com/open_source)

## 法律声明

任何个人或公司，只要其使用 Aruba Networks, Inc. 交换平台和软件来端接其它厂商的 VPN 客户端设备，即表明该人或公司对此行为承担全部责任，并会代表这些厂商，在 Aruba Networks, Inc. 万一遭受任何以及所有与版权侵犯有关的法律诉讼时，为其承担全部伤害和损失赔偿。

<b>关于本指南</b>	<b>5</b>
指南总览	5
相关文档	5
联系 Dell	5
<b>第 1 章</b>	<b>关于 PowerConnect W-3000 系列控制器</b>
最低软件要求	7
包装核查清单	7
型号概览	8
1000Base-X (SFP) 端口	8
10/100/1000Base-T 千兆位以太网端口	9
串行控制台端口	9
串行控制台端口适配器	10
交流电源插座	10
LED 状态指示灯	10
<b>第 2 章</b>	<b>安装 W-3000 系列控制器</b>
对于电信机架:	13
对于服务器机架:	13
在电信机架中安装	13
在服务器机架中安装	15
桌面部署	15
初始设置与网络连接	15
拆卸	15
<b>附录 A</b>	<b>规格、安全性与合规性</b>
实体规格	17
电源管理规格	17
功耗	17
电源规格 (AC 输入要求)	17
工作规格	17
存储规格	18
安全性及合规性	18
FCC A 级装置	18
加拿大工业部	18
NOM 信息 (仅墨西哥)	19
Dell 设备的正确处置	19
欧盟 RoHS	19



本前言包括以下信息：

- 第 5 页的“指南总览”
- 第 5 页的“相关文档”
- 第 5 页的“联系 Dell”

## 指南总览

- 第 1 章，“关于 PowerConnect W-3000 系列控制器”（第 7 页）介绍了 W-3000 系列控制器内以下三种控制器详细的硬件概要情况：W-3200、W-3400 和 W-3600。
- 第 2 章，“安装 W-3000 系列控制器”（第 13 页）提供机架安装和安装说明。
- 附录 A，“规格、安全性与合规性”（第 17 页）包含产品技术规格和安全以及合规性信息。

## 相关文档

本指南中引用了以下文档，可以将它们视为成功执行 Dell 控制器安装和管理所需的完整文档集的组成部分：

- *Dell PowerConnect ArubaOS 快速入门指南*
- *Dell PowerConnect ArubaOS 用户指南*
- *Dell PowerConnect ArubaOS 5.0 命令行参考*

## 联系 Dell

网站支持	
主站点	<a href="http://www.dell.com">www.dell.com</a>
支持站点	<a href="http://support.dell.com">support.dell.com</a>
Dell 文档	<a href="http://support.dell.com/manuals">support.dell.com/manuals</a>





PowerConnect W-3000 系列控制器包括三个企业级无线 LAN 控制器。这些控制器连接、控制并智能地将无线接入点 (Access Point, AP) 和无线监测器 (Air Monitor, AM) 整合为有线 LAN 系统。

PowerConnect W-3000 系列控制器包括以下型号：

- W-3200 多服务控制器  
W-3200 最多能够支持 32 个已连接园区的 AP。
- W-3400 多服务控制器  
W-3400 最多能够支持 64 个已连接园区的 AP。
- W-3600 多服务控制器  
W-3600 最多能够支持 128 个已连接园区的 AP。



**注意：** 选件相关的 AP 许可单独计数，不含 AP 升级许可的数量。有关软件许可方案与支持能力完整的详细信息，请联系您的 Dell 代表。

## 最低软件要求

W-3000 系列控制器要求使用 ArubaOS 5.0.2 或更高版本。



**注意：** 主控制器、其备用主控制器以及它的所有本地控制器都必须运行相同版本的 ArubaOS。当您升级网络并将 W-3000 系列控制器安装到您的网络中后，请确认控制器上的软件版本是否与网络其余部分所使用的软件版本一致。如果控制器上自带的软件版本早于网络升级后的版本，则您必须升级控制器上的软件版本，使之与网络其余部分所使用的软件版本一致。

## 包装核查清单

- W-3000 系列控制器
- 交流电源线（因国家而异）
- 机架安装托架，含金属构件（用于进行机架安装）
- 扁型串行电缆 (RJ-45)
- 橡胶脚垫（用于桌面部署）
- 串行控制台端口适配器（RJ-45 转 DB9）
- *Dell PowerConnect ArubaOS 快速入门指南*
- *最终用户许可协议 (End User License Agreement, EULA)*
- *安全、环保和合规性信息 (Safety, Environmental, and Regulatory Information, SERI) 文档*
- *保修和支持信息 (Warranty and Support Information, WSI) 文档*



**注意：** 如果发现任何不正确、缺失或损坏的部件，请通知您的供应商。请尽可能保留包装箱，包括原始包装材料。必要时，可以利用这些材料重新包装装置，将其退回给供应商。

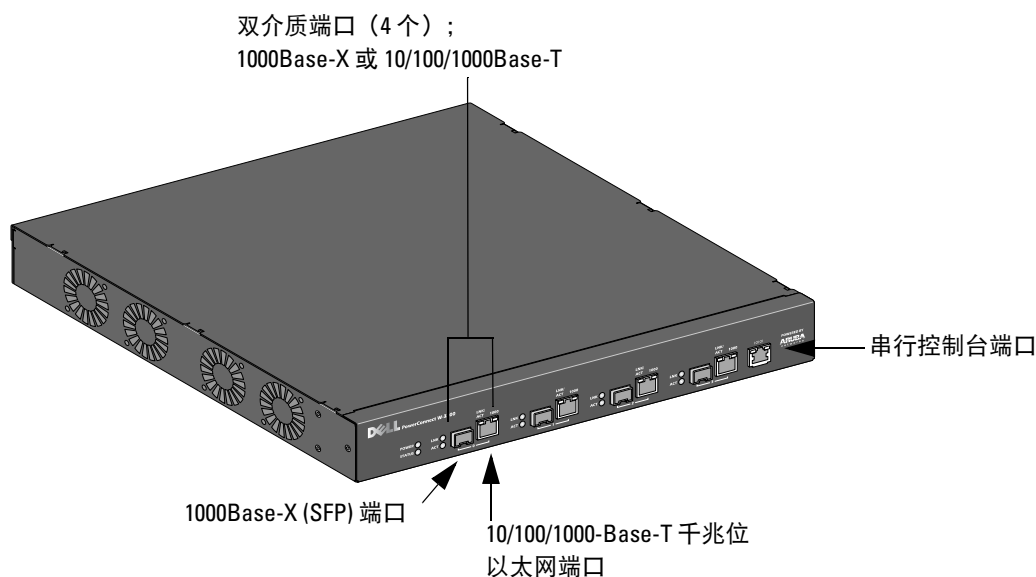


**注意：** 供与 W-3000 系列控制器一起使用的可选附件（如 SFP 模块）需另购。要了解详细信息以及获得协助，请联系您的 Dell 代表。

## 型号概览

W-3000 系列控制器的物理硬件型号概览涵盖该系列内的所有三个型号。三个控制器型号之间的差异取决于所购买的许可级别。本章各处插图中所示的控制器型号为 W-3200。

**图 1** W-3200 正视图



**注意：** 端口零至三是双介质端口，可以利用所提供的 1000Base-X 或 10/100/1000Base-T 连接。不过，1000Base-X 光纤连接优先于 10/100/1000Base-T 铜连接。检测到 1000Base-X 接口有链路时，10/100/1000Base-T 连接会被禁用。

### 1000Base-X (SFP) 端口

有四个专用于光纤连接的 1000Base-X 组合端口，专供与 Dell SFP（迷你 GBIC）配合使用。

要购买兼容的 SFP 模块，请联系您的 Dell 代表，以了解详细信息和获得协助。

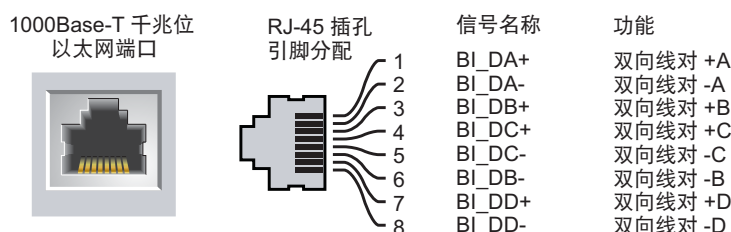


**注意：** Dell 对在其控制器系统内使用 Dell 光纤产品进行了测试，并支持使用这些产品。第三方光纤产品未经过测试或得到支持，因此，Dell 不能保证使用第三方光纤产品时能够发挥它们的正常功能。

## 10/100/1000Base-T 千兆位以太网端口

共有四个 10/100/1000Base-T 千兆位以太网 (RJ-45) 端口。千兆位以太网使用所有八条芯线，每一对芯线都以双向方式使用，也就是说，同一芯线对既用于数据传输，又用于数据接收。图 2 图解说明了 RJ-45 连接器上的 CAT-5 引脚分配。CAT-5 引脚分配将 10/100/1000Base-T 千兆位以太网端口上的以下引脚组对：1/2、3/6、4/5 和 7/8。

图 2 千兆位以太网端口引脚分配



## 串行控制台端口

提供了一个串行控制台端口，用于与终端相连，以实现直接本地管理。该端口的 RJ-45 插孔连接器接受带有插头连接器的 RS-232 串行电缆。

图 3 串行控制台端口引脚分配

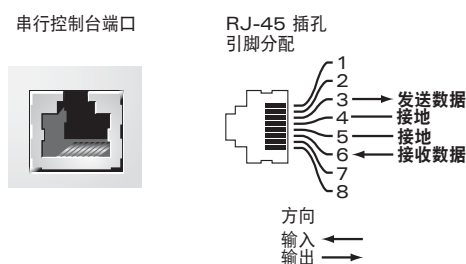


表 1 中列有串行控制台端口的通讯设置。

表 1 控制台终端设置

波特率	数据位	奇偶校验	停止位	流控制
9600	8	无	1	无



**小心：** 请勿将接入点 (Access Point, AP) 连接到串行控制台端口。串行控制台端口只兼容 RS-232 装置。不支持非 RS-232 装置，例如 AP。

## 串行控制台端口适配器

可以使用模块适配器将 RJ-45（插孔）连接器转换为 DB9（插头）连接器。有关完整的详细信息，请参阅图 4。

图 4 RJ-45（插孔）转 DB-9（插头）模块适配器转换

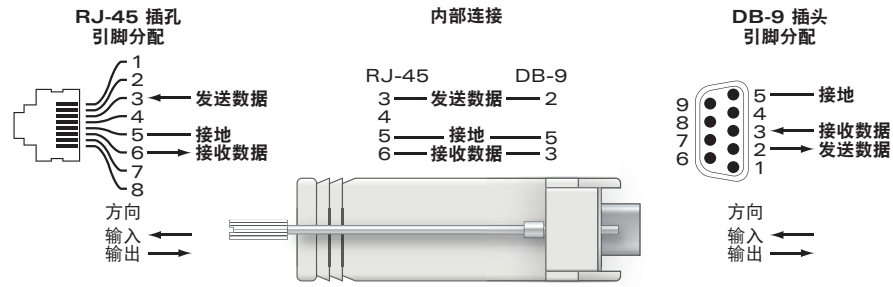
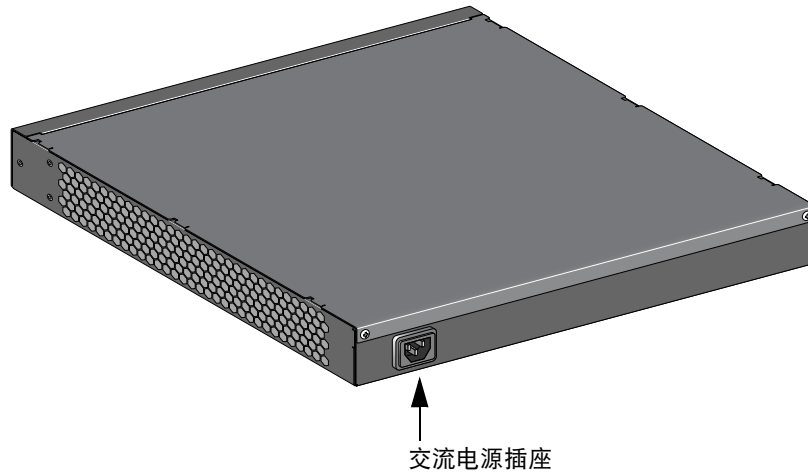


图 5 为 W-3200 后视图。

图 5 W-3200 后视图



## 交流电源插座

W-3000 系列控制器支持集成式交流供电，装置后部的交流电源插座供与交流电源线（因国家而异）配合使用。有关电源规格的详细信息，请参阅第 17 页的“电源管理规格”。

## LED 状态指示灯

表 2 W-3000 系列控制器 LED 状态指示灯

LED	功能	指示灯	状态
POWER（电源）	输入电源状态指示灯	亮（绿灯常亮）	通电
		不亮	不通电
STATUS（状态）	模块状态指示灯	亮（绿灯常亮）	装置运行中
		亮（红灯常亮）	装置出现故障
		亮（黄灯常亮）	装置正在加载软件
		不亮	不通电

**表 2 W-3000 系列控制器 LED 状态指示灯**

LED	功能	指示灯	状态
LNK 1000Base-X 端口	链路状态指示灯	亮（绿灯常亮）	链路已建立
		不亮	端口上无链路
ACT 1000Base-X 端口	活动状态指示灯	亮（闪烁绿灯）	端口正在传输或接收数据
		不亮	无活动
LNK/ACT 10/100/1000Base-T 端口	链路/工作状态指示灯	亮（绿灯常亮）	链路已建立
		亮（闪烁绿灯）	端口正在传输或接收数据
		不亮	端口上无链路
1000 10/100/1000Base-T 端口	接口速度指示灯	亮（绿灯常亮）	1000 Mbps 接口速度使用中
		不亮	10/100 Mbps 接口速度使用中



安装 Dell PowerConnect W-3000 系列控制器必须具备下列工具和设备：

- 机架安装托架（2 个，进行桌面安装时不使用）
- 适用的螺丝刀
- 交流电源线（因国家而异）



**警告：** 在执行以下步骤之前，请查看控制器附带的安全说明。

### 对于电信机架：

- 6-32 x 1/4" 十字槽沉头螺丝（6 个，附带）
- 12-24 x 5/8" 十字槽沉头螺丝（4 个，附带）

### 对于服务器机架：

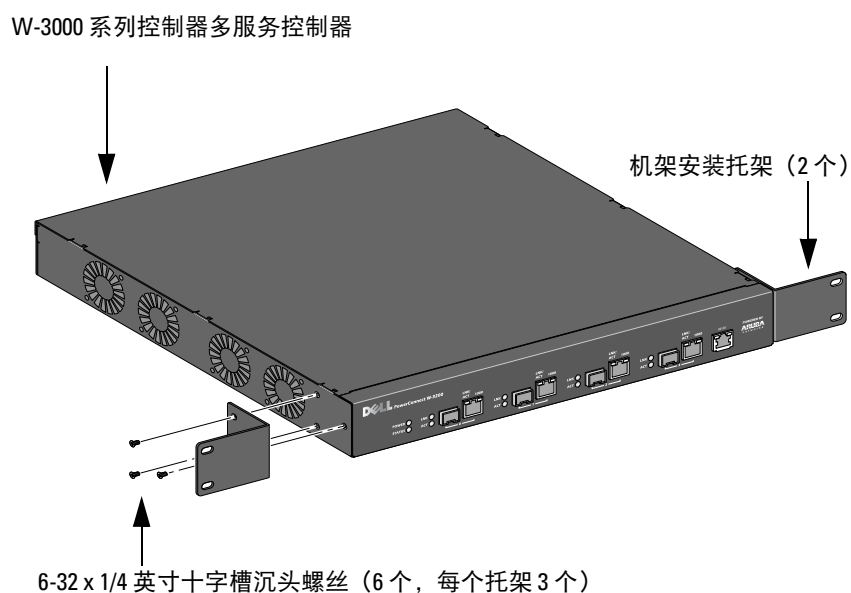
- 6-32 x 1/4" 十字槽沉头螺丝（6 个，附带）
- M6 x 20mm 十字槽沉头螺丝（4 个，附带）
- M6 锁紧螺帽（4 个，附带）或 M6 锁紧夹（4 个，附带）

## 在电信机架中安装

要将 W-3000 系列控制器安装到 19 英寸（48.26 厘米）机架系统中：

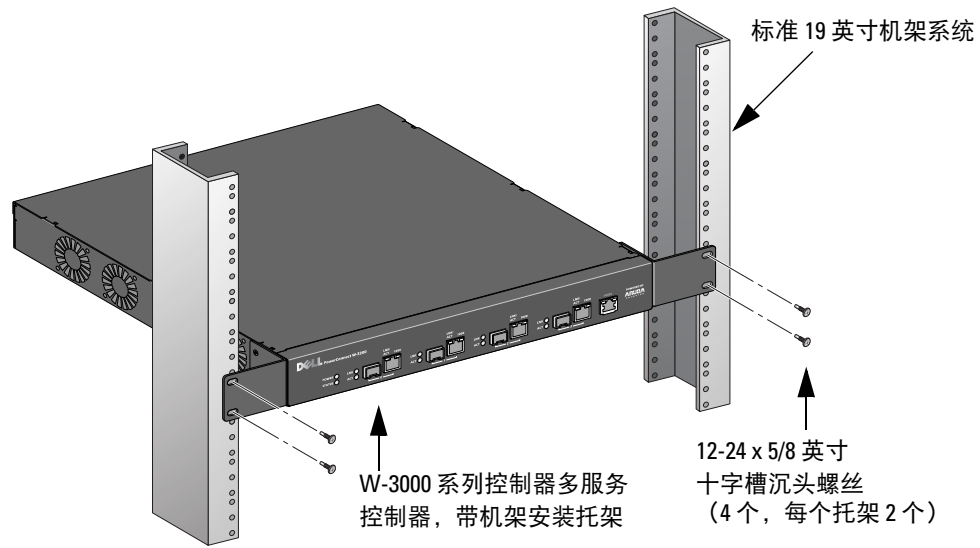
1. 将一个机架安装托架置于控制器一侧的安装孔上（请参阅图 1）。
2. 使用三个 6-32 x 1/4 英寸十字槽沉头螺丝和一把适用的螺丝刀将托架固定在控制器上。
3. 在控制器的对侧重复以上步骤。

**图 1** 机架安装托架



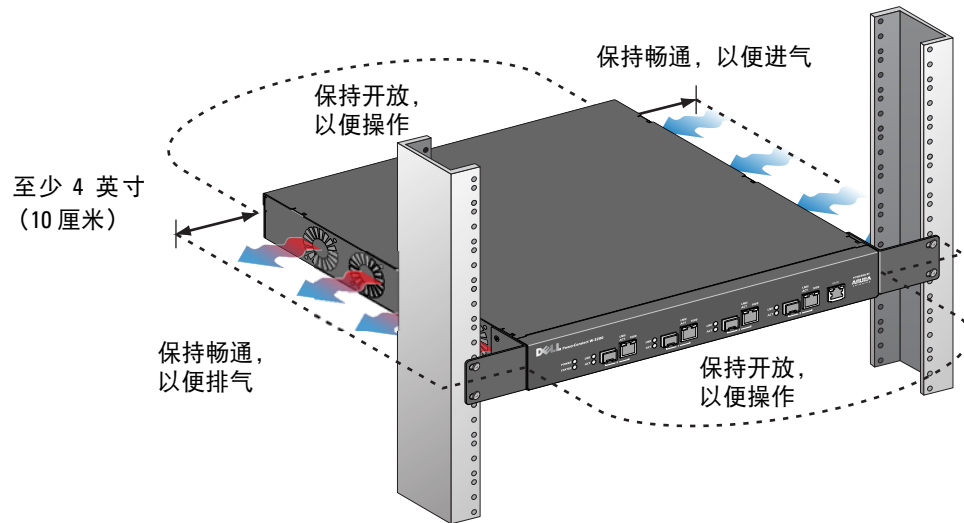
- 使用四个 12-24 x 5/8 英寸十字槽沉头螺丝和一把适用的螺丝刀将控制器安装到贵组织的机架系统内（请参阅图 2）。

**图 2 机架安装**



- 在装置的左右两侧至少留出四英寸（10 厘米）的空间，以便气流畅通和通风（请参阅图 3）。
- 在装置的前部和后部留出额外空间，以便插接电源线、网线，以及查看 LED 状态指示灯（请参阅图 3）。

**图 3 空气流动要求**



- 将交流电源线（因国家而异）连接到装置后部。
- 将电源线的另一端插入电源插座，以通电启动控制器。



## 在服务器机架中安装

要将 W-3000 系列控制器安装在 19 英寸（48.26 厘米）服务器机架系统中：



**注意：** 下列说明描述了在具有无螺纹方形孔的机架中安装控制器的步骤。对于具有无螺纹圆形孔的机架，请改用提供的对开螺母。

1. 将一个机架安装托架置于控制器一侧的安装孔上（请参阅图 1）。
2. 使用三个 6-32 x 1/4 英寸十字槽沉头螺丝和一把适用的螺丝刀将托架固定在控制器上。
3. 在控制器的对侧重复以上步骤。
4. 安装四个锁紧螺帽。
  - a. 先插入锁紧螺帽的下缘，但要位于轨道后部方形开口上方。
  - b. 将锁紧螺帽安装工具的小端穿过轨道中的开口（从前部），将工具钩在锁紧螺帽的上缘上。
  - c. 将锁紧螺帽朝着轨道推入，同时向上转动工具，并朝着您的方向回拉工具，直至锁紧螺帽的上缘“咔嗒”一声卡入到位。
5. 使用四个 M6 x 20mm 十字槽沉头螺丝和一把适用的螺丝刀将控制器安装到贵组织的机架系统内。
6. 在装置的左右两侧至少留出四英寸（10 厘米）的空间，以便气流畅通和通风（请参阅图 3）。
7. 在装置的前部和后部留出额外空间，以便插接电源线、网线，以及查看 LED 状态指示灯（请参阅图 3）。
8. 将交流电源线（因国家而异）连接到装置后部。
9. 将电源线的另一端插入电源插座，为控制器供电。



**注意：** W-3000 系列控制器没有打开/关闭电源的开关。通过将电源线插头插入电源插座（或拔出插头）来控制给装置的供电。

## 桌面部署

要将 W-3000 系列控制器部署在平面（例如桌面）上：

1. 将四个安装橡胶垫插入装置底部。
2. 按压侧盖板，使其吧嗒一声卡入到位。
3. 将装置置于一个坚固的平面上。

## 初始设置与网络连接

物理安装完成后，在控制器上运行初始设置，以配置 IP 地址和其它基本系统信息。有关完整的详细信息和说明，请参阅 *ArubaOS 快速入门指南* 中有关您的控制器上所安装软件版本的信息。

## 拆卸

要将 W-3000 系列控制器从 19 英寸（48.26 厘米）机架系统上卸下：

1. 从电源插座上拔下电源线，断开给控制器的供电。
2. 断开与控制器相连的所有其它电缆或装置。
3. 松开用于将控制器固定在贵组织机架系统上的四个机架安装螺丝。
4. 从机架系统上卸下控制器。



## 实体规格

- 装置尺寸（不含机架安装托架）（高 x 宽 x 深）：
  - 所有型号：1.75" x 13.8" x 11.7"
  - 所有型号：44 mm x 351 mm x 297 mm

装置重量（含机架安装托架）：

- W-3200：7.1 lb/3.2 kg
- W-3400/W-3600：7.4 lb/3.4 kg
- 包装尺寸（高 x 宽 x 深）：
  - 所有型号：6.5" x 18.2" x 16.5"
  - 所有型号：165 mm x 462 mm x 419 mm
- 运输重量：
  - W-3200：9.4 lb/4.3 kg
  - W-3400/W-3600：9.7 lb/4.4 kg

## 电源管理规格

### 功耗

- W-3200：最大 35W
- W-3400：最大 45W
- W-3600：最大 60W

### 电源规格（AC 输入要求）

- W-3200：
  - 交流输入电压：约 90-264 V，通用输入
  - AC 输入电流：1.5 A
  - 交流输入频率：47-63 Hz
- W-3400/W-3600：
  - 交流输入电压：约 90-264 V，通用输入
  - AC 输入电流：2.2 A
  - 交流输入频率：47-63 Hz

## 工作规格

- 工作温度范围：0°C 至 40°C（32°F 至 104°F）
- 工作湿度范围：5% 至 95%（相对湿度），无冷凝

## 存储规格

- 存储温度范围：0°C 至 50°C (32°F 至 122°F)
- 存储湿度范围：5% 至 95% (相对湿度)，无冷凝

## 安全性及合规性

Dell 提供了一个多语言文档，其中包含所有 Dell 硬件产品的国家特定限制以及其它安全性和合规性信息。本产品附带了 Dell PowerConnect W 系列安全、环保和合规性信息文档。



**小心：** 所进行的性能或程序控制或调整如果不是本手册中规定的控制和调整，可能会导致危险的辐射暴露。

本产品符合 21 CFR 第 1 章第 J 分章第 1040.10 部分，以及 IEC 60825-1: 1993、A1: 1997、A2: 2001、IEC 60825-2: 2000。

要继续遵守以上激光安全标准，应在 Dell 产品中安装由我们认可的供应商生产的、经过认证的 1 类模块。

### FCC A 级装置

本设备经测试证明符合 FCC 规章第 15 部分有关 A 级数字装置的限制规定。这些限制旨在对设备在商务环境中工作时产生的有害干扰提供合理防护。本设备可产生、使用并会发射无线射频能量，如果不按照说明手册进行安装和使用，有可能对无线电通讯产生有害的干扰。在住宅区运行本设备可能会导致有害干扰，发生有害干扰时，用户必须纠正干扰并承担相应的费用。

### 加拿大工业部

本 A 级数字装置符合加拿大 ICES-003 标准。

Cet appareil numérique de la classe A est conforme à la norme NMB-003 du Canada.

## NOM 信息 (仅墨西哥)

按照墨西哥官方标准 (NOM) 的要求, 本文档所述装置上提供了下列信息:

进口商: Dell Inc. de Mexico, S.A. de C.V.  
Paseo de la Reforma 2620-11° Piso  
Col. Lomas Atlas  
11950 Mexico, D.F.

型号: 3200

- 电源电压: 90-264 V AC
- 频率: 47-63 Hz
- 电流消耗: 1.5 A


型号: 3400/3600

- 电源电压: 90-264 V AC
- 频率: 47-63 Hz
- 电流消耗: 2.2 A

## Dell 设备的正确处置

有关全球环境符合性以及 Dell 产品的最新信息, 请访问我们的网站 [www.dell.com](http://www.dell.com)。

### 欧盟 RoHS

 Dell 产品也遵守欧盟的 2002/95/EC 号有害物质限用 (Restriction of Hazardous Substances, RoHS) 法令。欧盟 RoHS 限制在电气和电子设备的生产中使用某些有害物质。具体地讲, RoHS 法令所规定的限用材料为: 铅 (包括印刷电路组件中使用的焊料)、镉、汞、六价铬及溴。某些 Dell 产品符合 RoHS 法令附录 7 中所列的豁免规定 (关于印刷电路组件所用焊料中的铅)。产品和包装上将贴有左图所示的 “RoHS” 标签, 以表明其符合该法令的要求。



# **PowerConnect Dell Kontroler Seri W-3000 Panduan Instalasi**



## **Hak cipta**

© 2010 Aruba Networks, Inc. AirWave®, Aruba Networks®, Aruba Mobility Management System®, dan merek terdaftar lainnya adalah merek dagang Aruba Networks, Inc. Dell™, logo DELL™, dan PowerConnect™ adalah merek dagang Dell Inc.

Hak cipta dilindungi undang-undang. Spesifikasi dalam manual ini dapat berubah sewaktu-waktu tanpa pemberitahuan.

Berasal dari AS. Merek dagang lain yang muncul dalam manual ini adalah milik perusahaannya masing-masing.

## **Kode Sumber Terbuka**

Beberapa produk Aruba mengandung kode perangkat lunak Sumber Terbuka yang dikembangkan oleh pihak ketiga, termasuk kode perangkat lunak yang tunduk pada GNU General Public License (GPL), GNU Lesser General Public License (LGPL), atau Lisensi Sumber Terbuka lain. Kode Sumber Terbuka yang digunakan tercantum di situs ini:

[http://www.arubanetworks.com/open\\_source](http://www.arubanetworks.com/open_source)

## **Pemberitahuan Hukum**

Penggunaan perangkat lunak dan platform switch Aruba Networks, Inc, oleh semua individu atau perusahaan, untuk menghentikan perangkat klien VPN milik vendor lain merupakan penerimaan tanggung jawab sepenuhnya oleh individu atau perusahaan tersebut untuk tindakan ini dan melepaskan sepenuhnya tanggung jawab Aruba Networks, Inc. dari setiap dan semua tindakan hukum yang mungkin ditujukan kepadanya yang berkaitan dengan pelanggaran hak cipta atas nama vendor tersebut.



<b>Tentang Panduan</b> .....	<b>5</b>
Ikhtisar Panduan.....	5
Dokumen Terkait.....	5
Menghubungi Dell .....	5
<b>Bab 1</b>	
<b>Tentang PowerConnect Kontroler Seri W-3000</b> .....	<b>7</b>
Persyaratan Perangkat Lunak Minimum .....	7
Daftar Periksa Isi Kemasan .....	7
Ikhtisar Model .....	8
Port 1000Base-X (SFP).....	8
Port Ethernet 10/100/1000Base-T Gigabit.....	9
Port Konsol Serial.....	9
Adaptor Port Konsol Serial .....	9
Soket Daya AC .....	10
Indikator Status LED.....	10
<b>Bab 2</b>	
<b>Memasang Kontroler Seri W-3000</b> .....	<b>13</b>
Untuk Rak Telekom:.....	13
Untuk Rak Server:.....	13
Pemasangan di Rak Telekom .....	13
Pemasangan di Rak Server.....	15
Penempatan di Atas Meja.....	16
Setup Awal dan Konektivitas Jaringan.....	16
Pelepasan .....	16
<b>Lampiran A</b>	
<b>Spesifikasi, Keselamatan &amp; Kepatuhan</b> .....	<b>17</b>
Spesifikasi Fisik.....	17
Spesifikasi Manajemen Daya .....	17
Konsumsi Daya .....	17
Spesifikasi Daya (Persyaratan Masukan AC).....	17
Spesifikasi Operasi.....	17
Spesifikasi Penyimpanan .....	18
Kepatuhan Peraturan dan Keselamatan .....	18
Perangkat Kelas A FCC.....	18
Industry Canada.....	18
Informasi NOM (Meksiko Saja).....	19
Cara Membuang Peralatan Dell yang Benar .....	19
RoHS Uni Eropa.....	19



Prakata ini mengandung informasi berikut ini:

- “Ikhtisar Panduan” di halaman 5
- “Dokumen Terkait” di halaman 5
- “Menghubungi Dell” di halaman 5

## Ikhtisar Panduan

- Bab 1, “Tentang PowerConnect Kontroler Seri W-3000” di halaman 7 menyediakan ikhtisar perangkat keras yang terperinci tentang ketiga kontroler dalam Kontroler Seri W-3000: W-3200, W-3400, dan W-3600.
- Bab 2, “Memasang Kontroler Seri W-3000” di halaman 13 menyediakan petunjuk instalasi dan pemasangan rak.
- Lampiran A, “Spesifikasi, Keselamatan & Kepatuhan” di halaman 17 mencakup spesifikasi teknis, keselamatan, dan informasi tentang kepatuhan pada peraturan untuk produk.

## Dokumen Terkait

Dokumen berikut ini dirujuk dalam panduan ini dan dipandang sebagai komponen kumpulan dokumentasi lengkap yang diperlukan agar dapat memasang dan mengelola Kontroler Dell:

- *Panduan Mulai Cepat ArubaOS PowerConnect Dell*
- *Panduan Pengguna PowerConnect Dell ArubaOS*
- *Rujukan Baris Perintah PowerConnect Dell ArubaOS 5.0*

## Menghubungi Dell

Dukungan Situs Web	
Situs Utama	<a href="http://www.dell.com">www.dell.com</a>
Situs Dukungan	<a href="http://support.dell.com">support.dell.com</a>
Dokumentasi Dell	<a href="http://support.dell.com/manuals">support.dell.com/manuals</a>



Kontroler Seri W-3000 PowerConnect terdiri atas tiga kontroler LAN nirkabel kelas perusahaan. Kontroler ini menghubungkan, mengontrol, dan secara cerdas mengintegrasikan Titik Akses (AP) dan Pemantau Udara (AM) ke dalam sistem LAN berkabel.

Kontroler Seri W-3000 PowerConnect terdiri atas model berikut ini:

- Kontroler Multi-Layanan W-3200  
W-3200 mampu mendukung hingga 32 Titik Akses eksternal yang terhubung ke kampus.
- Kontroler Multi-Layanan W-3400  
W-3400 mampu mendukung hingga 64 Titik Akses eksternal yang terhubung ke kampus.
- Kontroler Multi-Layanan W-3600  
W-3600 mampu mendukung hingga 128 Titik Akses eksternal yang terhubung ke kampus.



---

**Catatan:** Lisensi Titik Akses yang berkaitan dengan fitur dihitung masing-masing dan merupakan lisensi terpisah dari lisensi upgrade Titik Akses. Hubungi perwakilan Dell untuk menanyakan perincian lengkap mengenai pilihan lisensi perangkat lunak dan kapasitas dukungan.

---

## Persyaratan Perangkat Lunak Minimum

Kontroler Seri W-3000 memerlukan ArubaOS 5.0.2 atau lebih baru.



---

**Catatan:** Kontroler induk, kontroler induk redundannya, dan semua kontroler lokalnya harus dijalankan pada versi ArubaOS yang sama. Setelah Anda mengupgrade jaringan Anda dan menginstal Kontroler Seri W-3000 pada jaringan itu, periksalah bahwa versi perangkat lunak pada kontroler sama dengan sisa jaringan. Jika versi yang menyertai kontroler lebih tua daripada versi jaringan setelah diupgrade, Anda harus mengupgrade kode pada kontroler agar sama dengan bagian lain jaringan.

---

## Daftar Periksa Isi Kemasan

- Kontroler Seri W-3000
- Kabel Listrik AC (berbeda tiap negara)
- Braket Dudukan Rak dengan Perangkat Keras (untuk dudukan rak)
- Kabel Serial Datar (RJ-45)
- Kaki Karet (untuk penempatan di atas meja)
- Adaptor Port Konsol Serial (RJ-45 ke DB9)
- *Panduan Mulai Cepat ArubaOS PowerConnect Dell*
- *Kesepakatan Lisensi Pengguna Akhir (EULA)*
- *Dokumen Keselamatan, Lingkungan, dan Peraturan (SERI)*
- *Dokumen Informasi Dukungan dan Garansi (WSI)*



**Catatan:** Beri tahu pemasok jika ada komponen yang salah, tidak ada, atau rusak. Jika mungkin, simpan kardusnya, termasuk bahan kemasan aslinya. Gunakan benda-benda ini untuk mengemas ulang dan mengembalikan unit kepada pemasok jika perlu.

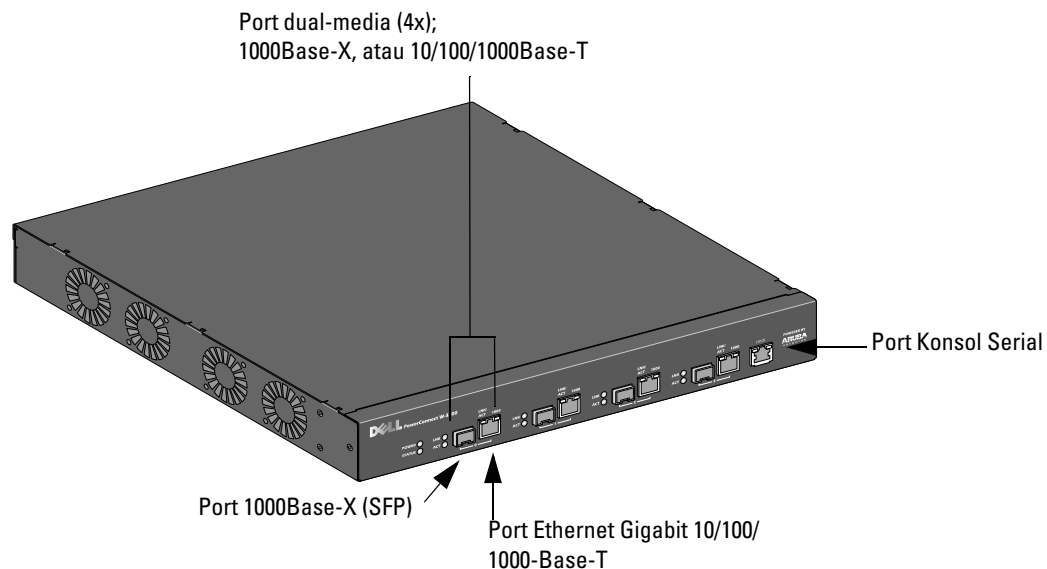


**Catatan:** Aksesori pilihan, seperti modul SFP, tersedia untuk digunakan bersama Kontroler Seri W-3000 dan dijual terpisah. Hubungi wiraniaga Dell untuk mendapatkan perincian dan bantuan.

## Ikhtisar Model

Ikhtisar model perangkat keras fisik Kontroler Seri W-3000 mencakup ketiga model dalam seri ini. Perbedaan antara ketiga model kontroler ini tergantung pada tingkat lisensi yang dibeli. Model kontroler yang digambarkan dalam ilustrasi dalam bab ini adalah W-3200.

**Gambar 1** *Tampak Depan W-3200*



**Catatan:** Port nol hingga tiga adalah port dual-media dan dapat menggunakan baik koneksi 1000Base-X atau 10/100/1000Base-T yang disediakan. Namun, koneksi serat optik 1000Base-X memiliki prioritas lebih tinggi daripada koneksi tembaga 10/100/1000Base-T. Jika terdeteksi hubungan untuk antarmuka 1000Base-X, koneksi 10/100/1000Base-T akan dinonaktifkan.

### Port 1000Base-X (SFP)

Ada empat port kombinasi 1000Base-X untuk konektivitas serat saja dan dimaksudkan untuk digunakan dengan SFP Dell (GBIC mini).

Untuk membeli modul SFP yang kompatibel, hubungi wiraniaga penjualan Dell untuk memperoleh perincian dan bantuan.

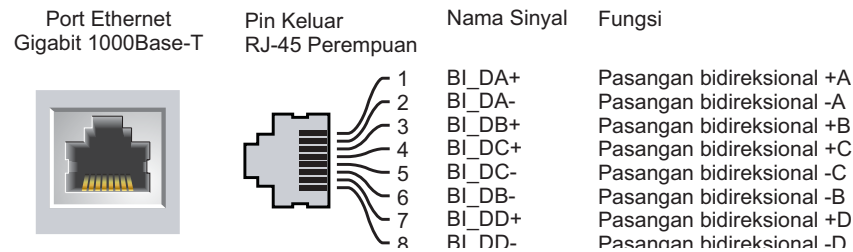


**Catatan:** Dell menguji dan mendukung optik Dell dalam sistem kontrolernya. Optik pihak ketiga tidak diuji atau didukung; maka Dell tidak menjamin optik pihak ketiga akan berfungsi dengan benar.

## Port Ethernet 10/100/1000Base-T Gigabit

Ada empat port (RJ-45) Ethernet Gigabit 10/100/1000Base-T. Ethernet Gigabit menggunakan kedelapan kawat dan setiap pasangan digunakan secara dua arah, yang berarti pasangan yang sama digunakan baik untuk pengiriman maupun penerimaan data. [Gambar 2](#) menunjukkan pin keluar KAT-5 yang terdapat pada konektor RJ-45. Pin keluar KAT-5 menyandingkan pin berikut ini pada port Ethernet Gigabit 10/100/1000Base-T: 1/2, 3/6, 4/5, dan 7/8.

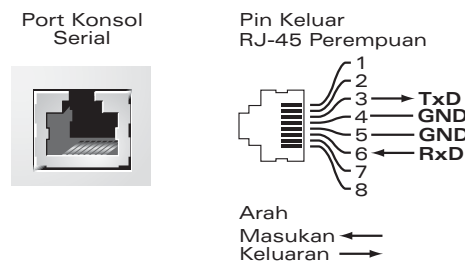
**Gambar 2** Pin Keluar Port Ethernet Gigabit



## Port Konsol Serial

Sebuah port konsol serial disediakan untuk koneksi ke terminal, yang memungkinkan pengelolaan lokal secara langsung. Konektor perempuan RJ-45 port menerima kabel serial RS-232 dengan konektor laki-laki.

**Gambar 3** Pin Keluar Port Konsol Serial



Setelan komunikasi untuk port konsol serial diuraikan di [Tabel 1](#).

**Tabel 1** Setelan Terminal Konsol

Laju Baud	Bit Data	Paritas	Bit Stop	Kendali Aliran
9600	8	Tak ada	1	Tak ada

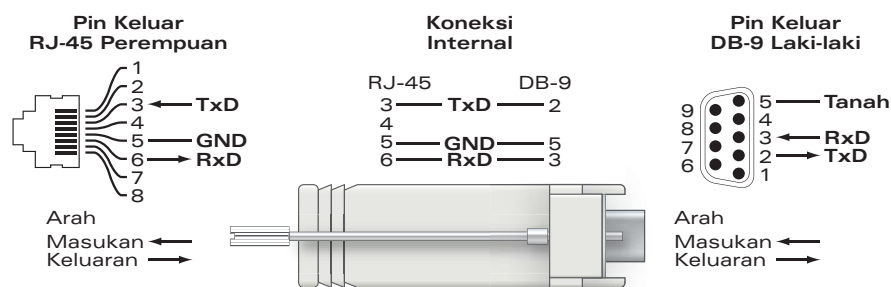


**Hati-hati:** Jangan hubungkan Titik Akses ke port konsol serial. Port konsol serial hanya kompatibel dengan perangkat RS-232. Perangkat non-RS-232, seperti Titik Akses, tidak didukung.

## Adaptor Port Konsol Serial

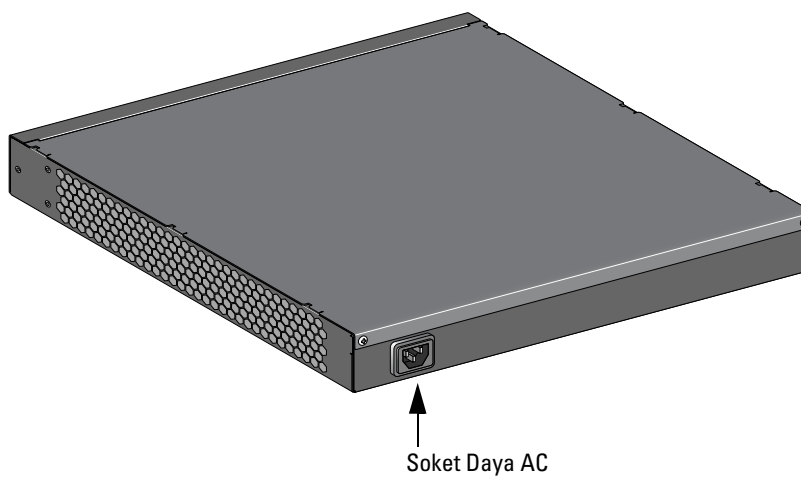
Adaptor modular dapat digunakan untuk mengonversi konektor (perempuan) RJ-45 menjadi konektor (laki-laki) DB9. Rujuklah [Gambar 4](#) untuk melihat perincian lengkap.

**Gambar 4** Konversi Adaptor Modular RJ-45 (perempuan) ke DB9 (laki-laki)



Gambar 5 mewakili tampak belakang W-3200.

**Gambar 5** Tampak Belakang W-3200



### Soket Daya AC

Kontroler Seri W-3000 mendukung pendayaan AC terintegrasi dan soket daya AC di bagian belakang unit untuk digunakan dengan kabel daya AC (berbeda tiap negara). Rujuklah “[Spesifikasi Manajemen Daya](#)” di halaman 17 untuk melihat perincian spesifikasi daya.

### Indikator Status LED

**Tabel 2** Indikator Status LED Kontroler Seri W-3000

LED	Fungsi	Indikator	Status
POWER	Indikator Status Daya Masukan	Hidup (Hijau Terus)	Daya hidup
		Mati	Tak ada daya
STATUS	Indikator Status Modul	Hidup (Hijau Terus)	Perangkat dapat beroperasi
		Hidup (Merah Terus)	Perangkat gagal
		Hidup (Kuning Terus)	Perangkat sedang memuat perangkat lunak
		Mati	Tak ada daya
Port LNK 1000Base-X	Indikator Status Sambungan	Hidup (Hijau Terus)	Sambungan telah terjadi



**Tabel 2** Indikator Status LED Kontroler Seri W-3000

LED	Fungsi	Indikator	Status
		Mati	Tak ada sambungan di port
Port ACT 1000Base-X	Indikator Status Aktivitas	Hidup (Hijau Berkedip)	Port sedang mengirim atau menerima data
		Mati	Tidak ada aktivitas
Port LNK/ACT 10/100/1000Base-T	Indikator Status Sambungan/Aktivitas	Hidup (Hijau Terus)	Sambungan telah terjadi
		Hidup (Hijau Berkedip)	Port sedang mengirim atau menerima data
		Mati	Tak ada sambungan di port
Port 1000 10/100/1000Base-T	Indikator Kecepatan Antarmuka	Hidup (Hijau Terus)	Kecepatan antarmuka 1000 Mbps sedang digunakan
		Mati	Kecepatan antarmuka 10/100 Mbps sedang digunakan



Alat dan peralatan berikut ini diperlukan untuk memasang PowerConnect Kontroler Seri W-3000 Dell:

- Braket Dudukan Rak (x2, tidak digunakan untuk instalasi di atas meja)
- Obeng yang Sesuai
- Kabel Listrik AC (berbeda tiap negara)



---

**Peringatan:** Sebelum melakukan prosedur berikut, bacalah petunjuk keselamatan yang menyertai kontroler.

---

### Untuk Rak Telekom:

- Sekrup Kepala Phillips 6-32 x 1/4" (6x, disediakan)
- Sekrup Kepala Phillips 12-24 x 5/8" (4x, disediakan)

### Untuk Rak Server:

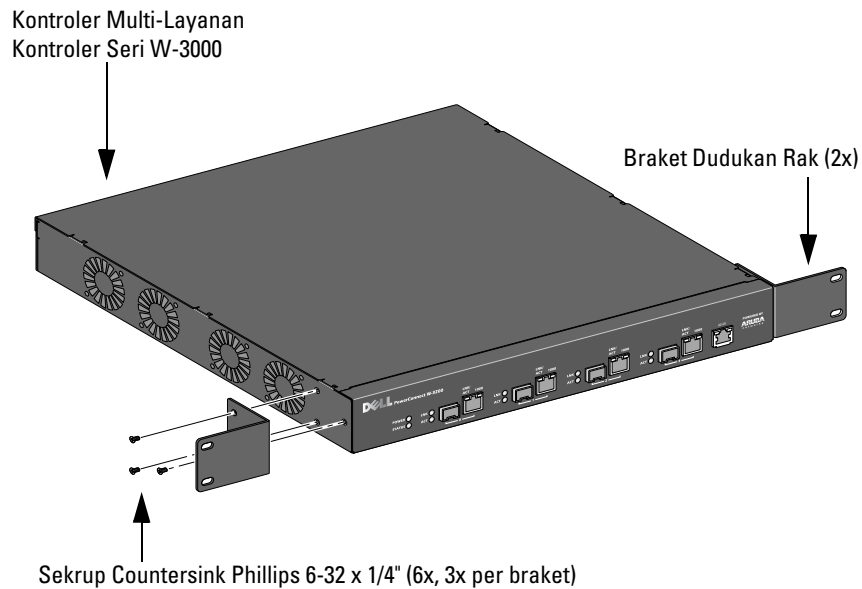
- Sekrup Kepala Phillips 6-32 x 1/4" (6x, disediakan)
- Sekrup Kepala Phillips M6 x 20mm (4x, disediakan)
- Mur "Cage" M6 (4x, disediakan) atau Klip "Cage" M6 (4x, disediakan)

## Pemasangan di Rak Telekom

Untuk menginstal Kontroler Seri W-3000 ke dalam sistem rak 19 inci (48,26 cm):

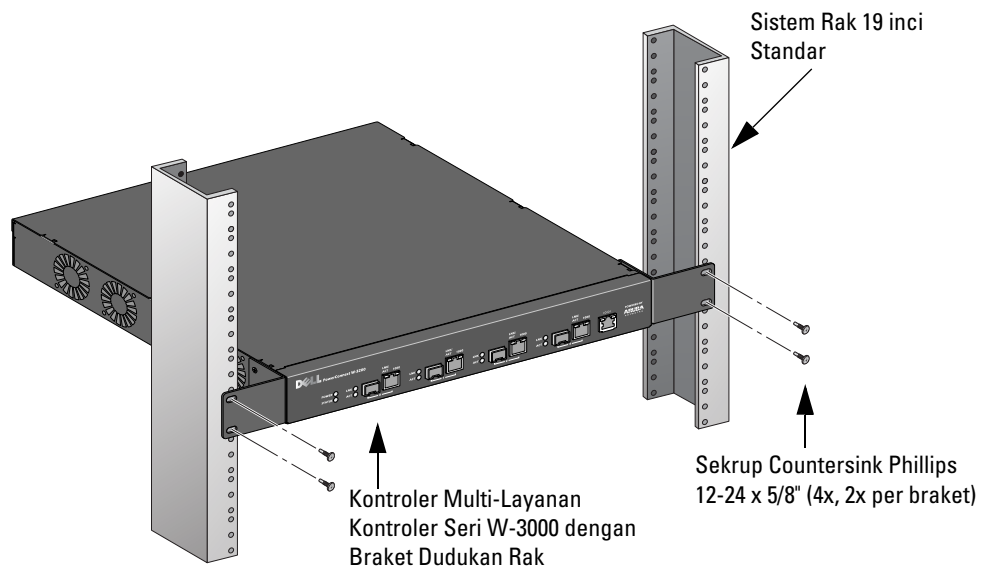
1. Letakkan braket dudukan rak di atas lubang dudukan pada satu sisi kontroler (lihat [Gambar 1](#)).
2. Pasangkan braket pada kontroler menggunakan tiga sekrup countersink Phillips 6-32 x 1/4" dan obeng yang sesuai.
3. Ulangi langkah-langkah ini pada sisi kontroler satunya.

**Gambar 1** *Braket Dudukan Rak*



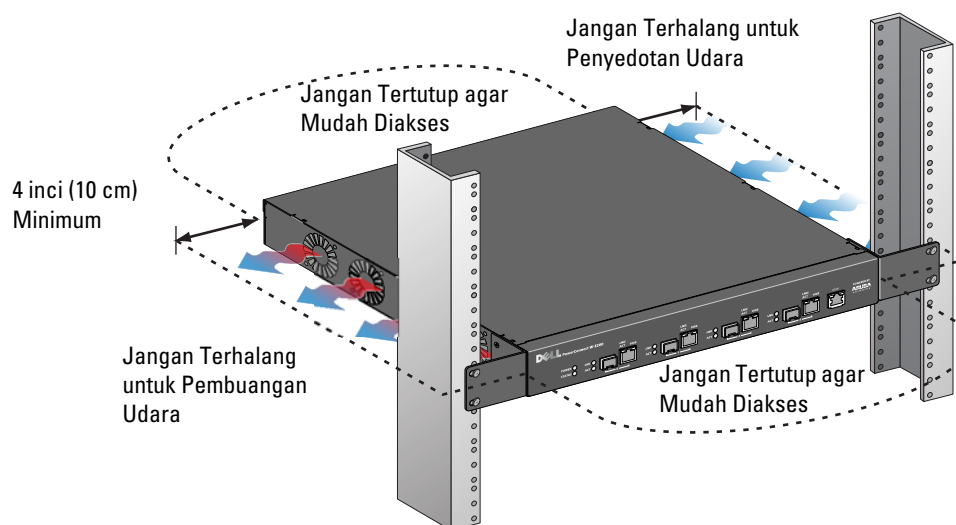
4. Pasang kontroler di dalam sistem rak organisasi Anda, dengan empat sekrup countersink Phillips 12-24 x 5/8" dan obeng yang sesuai (lihat [Gambar 2](#)).

**Gambar 2** *Pemasangan Dudukan Rak*



5. Sisakan ruang minimal empat inci (10 cm) di sisi kiri dan kanan unit untuk ventilasi dan aliran udara yang baik (lihat [Gambar 3](#)).
6. Sisakan ruang tambahan di depan dan belakang unit untuk mengakses kabel listrik, kabel jaringan, dan indikator status LED (lihat [Gambar 3](#)).

**Gambar 3** Persyaratan Aliran Udara



7. Hubungkan kabel listrik AC (berbeda tiap negara) ke bagian belakang unit.
8. Colokkan ujung kabel listrik satunya ke stopkontak listrik untuk memberi listrik kepada kontroler.

## Pemasangan di Rak Server

Untuk memasang kontroler Kontroler Seri W-3000 ke dalam sistem rak Server 19 inci (48,26 cm):



**Catatan:** Petunjuk berikut menjabarkan instalasi kontroler dalam rak dengan lubang segi empat tanpa ulir. Untuk rak dengan lubang bulat tanpa ulir, gunakan mur klip yang disediakan.

1. Letakkan braketudukan rak di atas lubang kedudukan pada satu sisi kontroler (lihat [Gambar 1](#)).
2. Pasangkan braket pada kontroler menggunakan tiga sekrup kepala Phillips 6-32 x 1/4" dan obeng yang sesuai.
3. Ulangi langkah-langkah ini pada sisi kontroler satunya.
4. Pasang keempat mur "cage".
  - a. Mulailah dengan memasukkan lidah bawah mur "cage" di atas lubang segi empat di bagian belakang rel.
  - b. Masukkan ujung kecil alat pemasangan mur "cage" melalui lubang di rel (dari depan), dan kaitkan alat di lidah atas mur "cage" itu.
  - c. Dorong mur "cage" masuk, ke arah rel, sambil memutar alat naik dan menarik alat kembali ke arah Anda sampai lidah atas mur "cage" terpasang pada tempatnya.
5. Pasang kontroler di dalam sistem rak organisasi Anda, dengan empat sekrup kepala Phillips M6 x 20mm dan obeng yang sesuai.
6. Sisakan ruang minimal empat inci (10 cm) di sisi kiri dan kanan unit untuk ventilasi dan aliran udara yang baik (lihat [Gambar 3](#)).
7. Sisakan ruang tambahan di depan dan belakang unit untuk mengakses kabel listrik, kabel jaringan, dan indikator status LED (lihat [Gambar 3](#)).
8. Hubungkan kabel listrik AC (berbeda tiap negara) ke bagian belakang unit.
9. Colokkan ujung kabel listrik satunya ke stopkontak listrik untuk memberi listrik kepada kontroler.



**Catatan:** Kontroler Seri W-3000 tidak memiliki sakelar hidup/mati. Listrik ke unit dikendalikan dengan mencolokkan (atau mencabut) steker kabel listrik ke stopkontak.

## Penempatan di Atas Meja

Untuk menempatkan Kontroler Seri W-3000 pada permukaan datar, seperti di permukaan meja:

1. Masukkan keempat kaki dudukan karet ke bagian bawah unit.
2. Tempelkan bezel samping dengan memasukkannya ke tempatnya.
3. Letakkan unit di atas permukaan keras yang datar.

## Setup Awal dan Konektivitas Jaringan

Setelah pemasangan fisik selesai, jalankan setup awal pada kontroler untuk mengonfigurasi alamat IP dan informasi sistem dasar lain. Untuk perincian dan petunjuk lengkap, rujuklah *Panduan Mulai Cepat ArubaOS* untuk versi perangkat lunak yang diinstal di kontroler Anda.

## Pelepasan

Untuk melepaskan Kontroler Seri W-3000 dari sistem rak 19 inci (48,26 cm):

1. Putuskan hubungan listrik ke kontroler dengan mencabut kabel listrik dari stopkontak.
2. Cabut kabel atau perangkat lain yang terpasang pada kontroler.
3. Kendurkan keempat sekrup dudukan rak yang menempelkan kontroler pada sistem rak organisasi.
4. Keluarkan kontroler dari sistem rak.

### Spesifikasi Fisik

- Dimensi Perangkat (tanpa braket dudukan rak) (PxLxT):
  - Semua Model: 1,75" x 13,8" x 11,7"
  - Semua Model: 44 mm x 351 mm x 297 mm

Berat Perangkat (dengan braket dudukan rak):

- W-3200: 7,1 lb/3,2 kg
- W-3400/W-3600: 7,4 lb/3,4 kg
- Dimensi Pengiriman (PxLxT):
  - Semua Model: 6,5" x 18,2" x 16,5"
  - Semua Model: 165 mm x 462 mm x 419 mm
- Berat Pengiriman:
  - W-3200: 9,4 lb/4,3 kg
  - W-3400/W-3600: 9,7 lb/4,4 kg

### Spesifikasi Manajemen Daya

#### Konsumsi Daya

- W-3200: 35 W maksimum
- W-3400: 45 W maksimum
- W-3600: 60 W maksimum

#### Spesifikasi Daya (Persyaratan Masukan AC)

- W-3200:
  - Tegangan Masukan AC: 90-264 V~, Masukan Universal
  - Arus Masukan AC: 1,5 A
  - Frekuensi Masukan AC: 47-63 Hz
- W-3400/W-3600:
  - Tegangan Masukan AC: 90-264 V~, Masukan Universal
  - Arus Masukan AC: 2,2 A
  - Frekuensi Masukan AC: 47-63 Hz

### Spesifikasi Operasi

- Kisaran Suhu Operasi: 0°C sampai 40°C (32°F sampai 104°F)
- Kisaran Kelembapan Operasi: 5% sampai 95% (Kelembapan Relatif), non-kondensasi

## Spesifikasi Penyimpanan

- Kisaran Suhu Penyimpanan: 0°C sampai 50°C (32°F sampai 122°F)
- Kisaran Kelembapan Penyimpanan: 5% sampai 95% (RH), non-kondensasi

## Kepatuhan Peraturan dan Keselamatan

Dell menyediakan dokumen multi-bahasa yang mengandung pembatasan yang berbeda tiap negara dan informasi keselamatan dan peraturan tambahan untuk semua produk perangkat keras Dell. Dokumen Informasi Keselamatan, Lingkungan, dan Peraturan Seri W PowerConnect Dell disertakan dengan produk ini.



---

**Hati-hati:** Penggunaan kontrol atau penyesuaian kinerja atau prosedur selain yang disebutkan dalam pedoman ini dapat mengakibatkan keterpaparan radiasi berbahaya.

---

Produk ini mematuhi 21 CFR Bab 1, Subbab J, Bagian 1040.10, dan IEC 60825-1: 1993, A1: 1997, A2: 2001, IEC 60825-2: 2000.

Agar terus patuh kepada standar keselamatan laser di atas, hanya modul Kelas 1 yang disetujui, dari vendor kami yang disetujui, yang sebaiknya diinstal dalam produk Dell.

### Perangkat Kelas A FCC

Peralatan ini telah diuji dan didapati mematuhi batas untuk perangkat digital Kelas A, sesuai dengan Bagian 15 dalam Peraturan FCC. Batas ini dirancang untuk memberi perlindungan yang wajar terhadap interferensi berbahaya saat peralatan dioperasikan dalam lingkungan komersial. Peralatan ini menghasilkan, menggunakan, dan dapat meradiasikan energi frekuensi radio dan, jika tidak dipasang dan digunakan sesuai dengan pedoman petunjuk, dapat menimbulkan interferensi berbahaya bagi komunikasi radio. Pengoperasian peralatan ini di area perumahan mungkin akan menyebabkan interferensi berbahaya, yang jika terjadi, pengguna wajib mengoreksi interferensi dengan biaya sendiri.

### Industry Canada

Alat digital Kelas A ini mematuhi ICES-003 Kanada.

Cet appareil numérique de la classe A est conforme à la norme NMB-003 du Canada.



## Informasi NOM (Meksiko Saja)

Informasi berikut ini disediakan untuk perangkat yang diuraikan dalam dokumen ini, untuk mematuhi persyaratan standar Meksiko resmi (NOM):

Importir: Dell Inc. de Mexico, S.A. de C.V.  
Paseo de la Reforma 2620-11° Piso  
Col. Lomas Atlas  
11950 Mexico, D.F.

Nomor Model: 3200

- Tegangan Catu: 90-264 V AC
- Frekuensi: 47-63 Hz
- Konsumsi arus: 1,5 A

Nomor Model: 3400/3600

- Tegangan Catu: 90-264 V AC
- Frekuensi: 47-63 Hz
- Konsumsi arus: 2,2 A

## Cara Membuang Peralatan Dell yang Benar

Untuk membaca informasi terbaru tentang Kepatuhan Lingkungan Global dan produk Dell, lihat situs web kami di [www.dell.com](http://www.dell.com).

### RoHS Uni Eropa



Produk Dell juga mematuhi Arahan tentang Pembatasan Zat Berbahaya Uni Eropa 2002/95/EC (RoHS). RoHS EU membatasi penggunaan bahan berbahaya tertentu dalam pembuatan peralatan listrik dan elektronik. Secara spesifik, bahan yang dibatasi oleh Arahan RoHS adalah Timbel (termasuk Solder yang digunakan dalam perakitan sirkuit cetak), Kadmium, Air Raksa, Kromium Heksavalen, dan Bromin. Sebagian produk Dell termasuk dalam pengecualian yang tercantum dalam Annex 7 Arahan RoHS (Timbel dalam solder yang digunakan dalam perakitan sirkuit cetak). Produk dan kemasan akan ditandai dengan label “RoHS” yang berada di kiri, menandakan kepatuhan pada Arahan ini.



# בקר Dell PowerConnect W-3000 Series

מדריך התקנה



## זכויות יוצרים

© 2010 Aruba Networks, Inc. AirWave®, Aruba Networks®, Aruba Mobility Management System®  
וסימנים רשומים אחרים הם סימנים מסחריים של Dell™, Aruba Networks, Inc. הלוגו של Dell™ ו- PowerConnect™ הם  
סימנים מסחריים של Dell Inc.

כל הזכויות שמורות. המפרטים במדריך זה כפופים לשינויים ללא הודעה.

נוצר בארה"ב. כל הסימנים המסחריים המופיעים במדריך זה הם קניין בעליהם בהתאמה.

## מקור קוד פתוח

חלק ממוצרי Aruba כוללים קוד תוכנת מקור פתוח שפותח על-ידי צדדים שלישיים, כולל קוד תכנה כפוף ל- GNU General Public License (GPL), GNU Lesser General Public License (LGPL), או רישיון קוד פתוח אחר. את קוד המקור הפתוח שנמצא בשימוש ניתן למצוא באתר זה:

[http://www.arubanetworks.com/open\\_source](http://www.arubanetworks.com/open_source)

## הודעה משפטית

השימוש בפלטפורמות ותוכנת המיתוג של Aruba Networks, Inc. על-יד כל האנשים הפרטיים או הארגונים, כדי לסיים התקני לקוח של ספקי VPN אחרים יוצרת הסכמה מוחלטת של חבות על-ידי אדם פרטי או ארגון אלה עבור פעולה זו ושיפוי, במלואו, של .  
Aruba Networks, Inc מפני מפני פעולות חוקיות כלשהן וכולן העשויות להינקט נגדה בהתייחס להפרה של זכויות יוצרים מטעם ספקים אלה.

5	.....	<b>אודות מדריך זה</b>
5	.....	סקירה כללית על המדריך
5	.....	מסמכים קשורים
5	.....	יצירת קשר עם Dell
7	.....	<b>התקנת בקרי PowerConnect W-3000 Series</b>
7	.....	דרישות מערכת מינימליות
7	.....	רשימת בדיקה לאריזה
8	.....	סריקה כללית של הדגם
8	.....	יציאות 10/1000Base-X (SFP)
9	.....	יציאות 10/100/1000Base-T Gigabit Ethernet
9	.....	יציאת מסוף טורית
9	.....	מתאם יציאת מסוף טורית
10	.....	שקע חשמל AC
10	.....	מחווני מצב נורית
13	.....	<b>התקנת בקרי W-3000 Series</b>
13	.....	עבור מעמד טלקומוניקציה
13	.....	עבור מעמד שרת
13	.....	התקנה במעמד טלקומוניקציה
15	.....	התקנה במעמד שרת
16	.....	פריסה על שולחן
16	.....	הגדרה ראשונית וקישוריות רשת
16	.....	הסרה
17	.....	<b>מפרטים, בטיחות והתאמה</b>
17	.....	מפרטים פיזיים
17	.....	מפרטי ניהול חשמל
17	.....	צריכת חשמל
17	.....	מפרטי חשמל (דרישות כניסת AC)
17	.....	מפרטי תפעול
18	.....	מפרטי אחסון
18	.....	תאימות לבטיחות ולתקינה
18	.....	FCC Class A Device
19	.....	דרך נאותה להשלכת ציוד Dell
19	.....	RoHS של האיחוד האירופי

**פרק 1**

**פרק 2**

**נספח A**



מבוא זה כולל את המידע הבא:

- "סקירה כללית על המדריך" בעמוד 5
- "מסמכים קשורים" בעמוד 5
- "יצירת קשר עם Dell" בעמוד 5

## סקירה כללית על המדריך

- פרק 1, "אודות בקר PowerConnect W-3000 Series" בעמוד 7 מספק סקירה כללית מפורטת על חומרת שלושת הבקרים במסגרת בקר W-3000 Series: ה-W-3200, ה-W-3400 וכן ה-W-3600.
- פרק 2, "התקנת בקרי W-3000 Series" בעמוד 13 מספר הוראות להרכבה ולהתקנה במעמד.
- ספח A, "מפרטים, בטיחות והתאמה" בעמוד 17 כולל מפרט טכני של המוצר, ומידע על בטיחות, תקינה והתאמה.

## מסמכים קשורים

המסמכים הבאים מוזכרים במדריך זה ונחשבים כחלק מהרכיבים של ערכת התיעוד המלא שנדרשת לשם התקנה וניהול מוצלחים של בקר Dell.

- *Dell PowerConnect ArubaOS Quick Start Guide*
- *Dell PowerConnect ArubaOS User Guide*
- *Dell PowerConnect ArubaOS 5.0 Command Line Reference*

## יצירת קשר עם Dell

תמיכה באמצעות אתר אינטרנט	
<a href="http://www.dell.com">www.dell.com</a>	אתר ראשי
<a href="http://support.dell.com">support.dell.com</a>	אתר תמיכה
<a href="http://support.dell.com/manuals">support.dell.com/manuals</a>	תיעוד של Dell





## התקנת בקרי PowerConnect W-3000 Series

הבקרים PowerConnect W-3000 Series כוללים שלושה בקרי LAN אלחוטי ברמה ארגונית. הבקרים מחברים, מבקרים ומשליבים בצורה חכמה נקודות גישה אלחוטיות (APs) ו-Air Monitors (מנטרי ערוץ כשאין שידור - AMs) לתוך מערכת LAN חוטית.

הבקרים PowerConnect W-3000 Series כוללים את הדגמים הבאים:

- Multi-Service בקר W-3200
- ה- W-3200 מסוגל לתמוך לכל היותר ב- 32 נקודות גישה בחיבור קמפוס.
- Multi-Service בקר W-3400
- ה- W-3400 מסוגל לתמוך לכל היותר ב- 64 נקודות גישה בחיבור קמפוס.
- Multi-Service בקר W-3600
- ה- W-3600 מסוגל לתמוך לכל היותר ב- 128 נקודות גישה בחיבור קמפוס.

הערה: רישיונות הקשורים למאפייני נקודת גישה נספרים בנפרד ובנוסף לרישיונות שדרוג נקודת הגישה. לקבלת פרטים מלאים לגבי אפשרויות שדרוג רישוי לתוכנה ויכולות תמיכה, צור קשר עם נציג Dell.



## דרישות מערכת מינימליות

הבקרים W-3000 Series מחייבים ArubaOS ואילך.

הערה: הבקר הראשי, הבקר הראשי היתיר שלו, וכל הבקרים המקומיים שלו חייבים לפעול באותו קוד של ArubaOS. לאחר שתשדרג את הרשת ותתקין את בקר W-3000 Series ברשת, ודא שגרסת התוכנה בבקר תואמת לחלק הנוטר של הרשת. אם הגרסה המשווקת בבקר קודמת לגרסה שאליה שדרגת את הרשת, עליך לשדרג את הקוד בבקר כדי להתאים לחלק הנוטר של הרשת.



## רשימת בדיקה לאריזה

- בקר W-3000 Series
- כבל חשמל AC (ספציפי למדינה)
- זוויות להתקנה במעמד עם חומרה (להתקנה במעמד)
- כבל טורי שטוח (RJ-45)
- רגליות גומי (לפריסות על שולחן)
- מתאם יציאת מסוף טורית (RJ-45 אל DB9)
- *Dell PowerConnect ArubaOS Quick Start Guide*
- הסכם רישיון למשתמש קצה (EULA)
- מסמך מידע בנושא בטיחות, סביבה ותקינה (SERI)
- מסמך מידע בנושא אחריות ותמיכה (WSI)

**הערה:** הודע לספק אם קיימים חלקים שגויים, חסרים או פגומים. אם ניתן, שמור על הקרטון, כולל חומרי האריזה המקוריים. השתמש בחומרי האריזה כדי לארוז מחדש את היחידה לספק, אם נדרש.



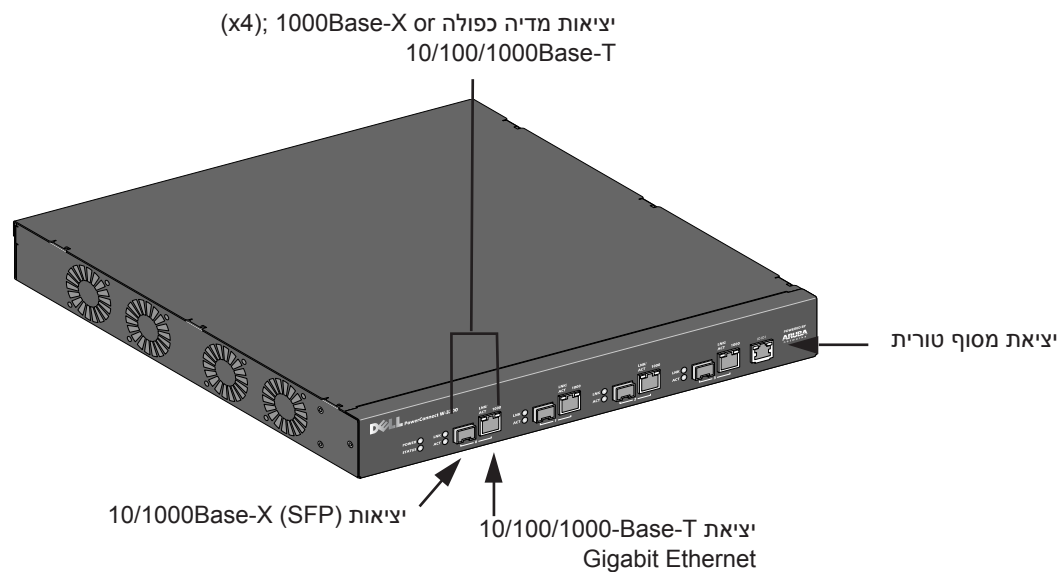
**הערה:** אביזרים אופציונליים, דוגמת מודול SFP, זמינים עם ה- בקר W-3000 Series ונמכרים בנפרד. לפרטים ולאביזרים, פנה אל נציג Dell.



## סריקה כללית של הדגם

הסריקה הכללית של חומרת דגם הבקר W-3000 Series מתייחסת לכל שלושת הדגמים שבסדרה. ההבדל בין שלושת דגמי הבקר תלויה על ברמת הרישוי שנרכשה. דגם הבקר שמתואר באיורים בהמשך פרק זה הם של W-3200.

**איור 1 W-3200 מבט חזית**



**הערה:** היציאות אפס עד ארבע הן יציאות מדיה כפולה ויכולות להשתמש בחיבורים המסופקים של 1000Base-X או 10/100/1000Base-T. עם זאת, לחיבור הסיבי של 1000Base-X יש קדימות לעומת חיבור כבלי הנחשת 10/100/1000Base-T. אם קישור מזהה עבור הממשק 1000Base-X, החיבור 10/100/1000Base-T יושבת.



## יציאות 10/1000Base-X (SFP)

קיימות ארבע יציאות שילוב 1000Base-X לקישוריות סיב אופטי בלבד ומיועדות לשימוש עם Dell SFPs (mini-GBICs).

כדי לרכוש מודולים תואמים של SFP, פנה לנציג של Dell לקבלת פרטים וסיוע.

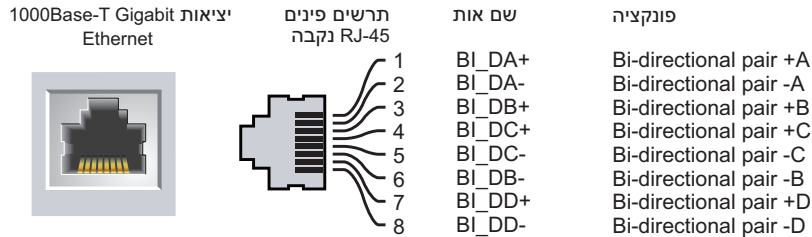
**הערה:** Dell בודקת ותומכת ב- Dell optics במסגרת מערכות הבקר שלהם. האופטיות של צד שלישי אינה נבדקת או נתמכת. לפיכך Dell אינה מבטיחה פונקציונליות נאותה של אופטיות צד שלישי.



# יציאות 10/100/1000Base-T Gigabit Ethernet

קיימות ארבע יציאות 10/100/1000Base-T Gigabit Ethernet (RJ-45). משתמש בכל שמונה החוטים וכל זוג משמש בצורה דו-כיוונית, כלומר, אותו זוג משמש הן לשידור נתונים והן לקבלה. **איור 1** מדגים את תרשים הפינים CAT-5 שנמצא על מחבר RJ-45. תרשים הפינים ה- CAT-5 מתאים את זוגות הפינים הבאים ביציאת 10/100/1000Base-T Gigabit Ethernet: 1/2, 3/6, 4/5 ו-7/8.

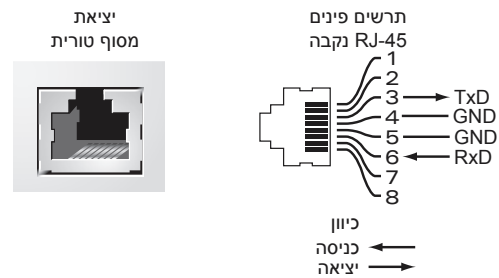
## איור 2 תרשים פינים של יציאת Ethernet Gigabit



## יציאת מסוף טורית

יציאת מסוף טורית מסופקת לשם חיבור למסוף, ומאפשרת ניהול מקומי ישיר. מחבר נקבה RJ-45 של היציאה מקבל כבל טורי RS-232 עם מחבר זכר.

## איור 3 תרשים פינים של יציאת מסוף טורית



הגדרות תקשורת עבור היציאה הטורית מצוינות ב: **טבלה 1**.

### טבלה 1 הגדרות סיים מסוף

קצב שידור	סיביות נתונים	זוגיות	סיביות עצירה	בקרת זרימה
9600	8	ללא	1	ללא

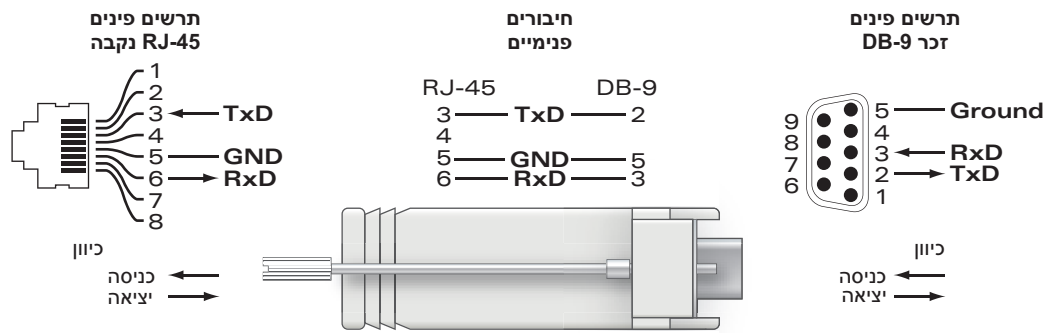
זהירות: אל תחבר נקודת גישה ליציאת מסוף טורית. יציאת המסוף הטורית תואמת להתקני RS-232 בלבד. התקנים שאינם RS-232, דוגמת נקודות גישה, אינם נתמכים.



## מתאם יציאת מסוף טורית

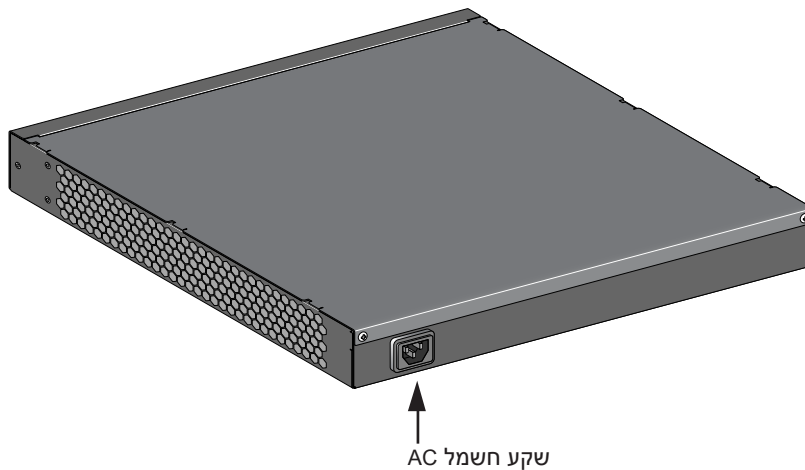
מתאם מודולרי שיכול לשמש להמרת מחבר RJ-45 (נקבה) למחבר DB9 (זכר). לקבלת פרטים מלאים, עיין ב: **איור 4**.

## איור 4 RJ-45 מתאם המרה מודולרי (נקבה) אל DB9 (זכר)



איור 5 מייצג מבט מאחור של W-3200.

איור 5 W-3200 - מבט מאחור



## שקע חשמל AC

הבקר W-3000 Series תומך בהפעלה משולבת באמצעות AC ושקע חשמל AC בחלק האחורי של היחידה משמש עבור כבל חשמל AC (ספציפי למדינה). לקבלת מפרטי חשמל, עיין ב: "מפרטי ניהול חשמל" בעמוד 17

## מחווני מצב נורית

טבלה 2 בקר W-3000 Series מחווני מצב נורית

נורית	פונקציה	מחווני מצב	מצב
POWER	מחווני מצב כניסת חשמל	פועל (ירוק יציב)	מופעל
		כבוי	לא מופעל
STATUS	מחווני מצב מודול	פועל (ירוק יציב)	ההתקן תפעולי
		פועל (אדום יציב)	כשל בהתקן
		פועל (כתום יציב)	ההתקן טוען תוכנה
		כבוי	לא מופעל
יציאות LNK 1000Base-X	מחווני מצב קישור	פועל (ירוק יציב)	הקישור נוצר
		כבוי	אין קישור ביציאה

טבלה 2 בקר W-3000 Series מחווני מצב נורית

מצב	מחונן	פונקציה	נורית
היציאה משדרת או מקבלת נתונים	פועל (ירוק מהבהב)	מחונן מצב פעילות	יציאות ACT 1000Base-X
אין פעילות	כבוי		
הקישור נוצר	פועל (ירוק יציב)	מחונן מצב קישור/פעילות	יציאות LNK/ACT 10/100/1000Base-T
היציאה משדרת או מקבלת נתונים	פועל (ירוק מהבהב)		
אין קישור ביציאה	כבוי		
מהירות ממשק 1000 Mbps בשימוש	פועל (ירוק יציב)	מחונן מהירות ממשק	יציאות 1000 10/100/1000Base-T
מהירות ממשק 10/100 Mbps בשימוש	כבוי		



הכלים והציוד הבאים נדרשים כדי להתקין את בקר Dell PowerConnect W-3000 Series:

- זוויות להתקנה במעמד (2x, לא נדרשות להתקנה על השולחן)
- מברגים מתאימים
- כבל חשמל AC (ספציפי למדינה)

אזהרה: לפני ביצוע ההליך הבא, בדוק את הוראות הבטיחות שמצורפות לבקר.



### עבור מעמד טלקומוניקציה:

- ברגים עם ראש פיליפס "6-32 x 1/4" (6x, כלולים)
- ברגים עם ראש פיליפס "12-24 x 5/8" (4x, כלולים)

### עבור מעמד שרת:

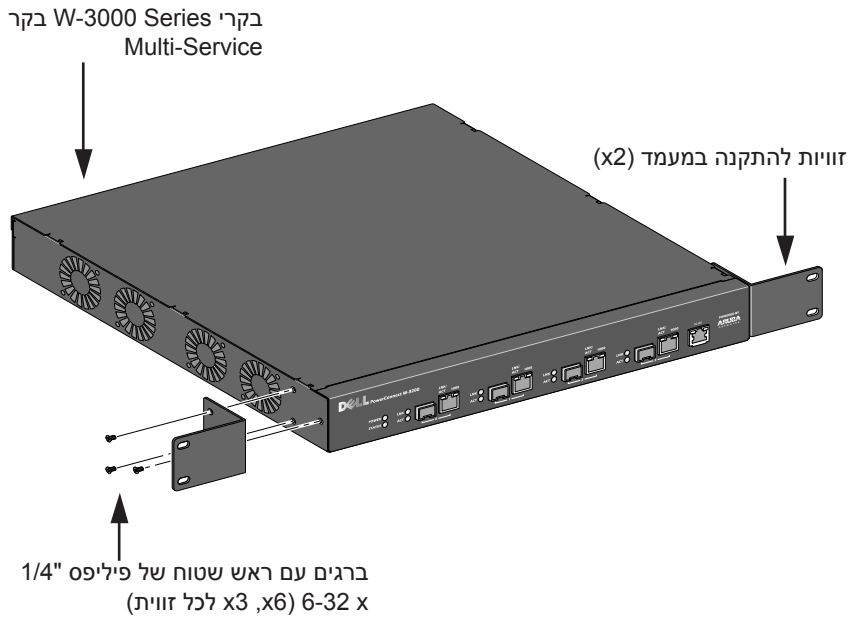
- ברגים עם ראש פיליפס "6-32 x 1/4" (6x, כלולים)
- ברגים עם ראש פיליפס 20 x M6 מ"מ (4x, כלולים)
- אומים M6 (4x, כלולים) או תפסים לבורג M6 (4x, כלולים)

## התקנה במעמד טלקומוניקציה

כדי להתקין את בקר W-3000 Series במערכת מעמד של 19 אינץ' (48.06 ס"מ):

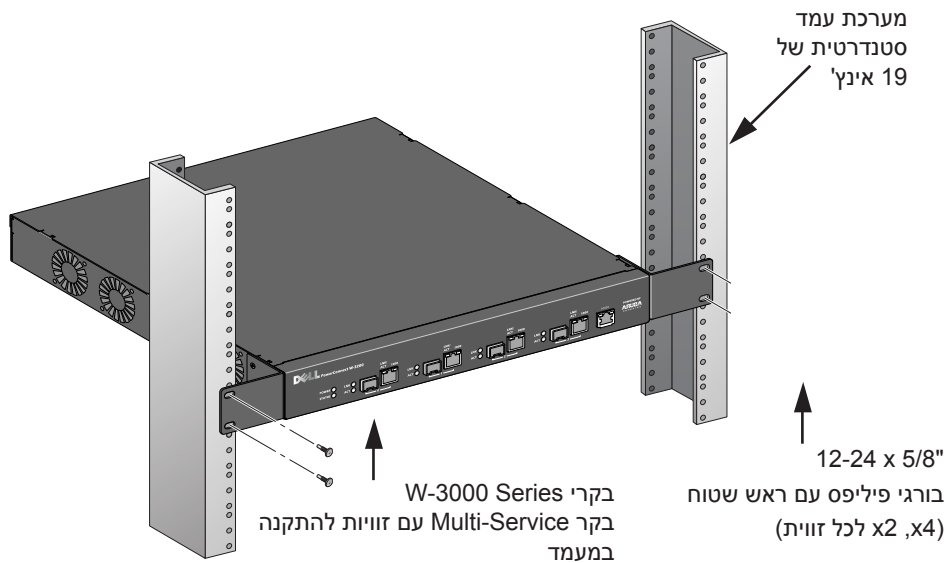
1. הנח את זווית ההרכבה במעמד על חורי ההרכבה בצד אחד של הבקר (ראה את איור 1).
2. הברג בעזרת מברג מתאים את הזווית לבקר עם שלושה בורגי ראש שטוח של פיליפס "6-32 x 1/4".
3. חזור על השלבים בצד השני של הבקר.

## איור 1 זוויות להתקנה במעמד



4. הרכב את הבקר במערכת המעמד של הארגון בעזרת בורגי ראש שטוח של פיליפס "12-24 x 5/8" ומברג מתאים (ראה איור 2).

## איור 2 התקנה במעמד

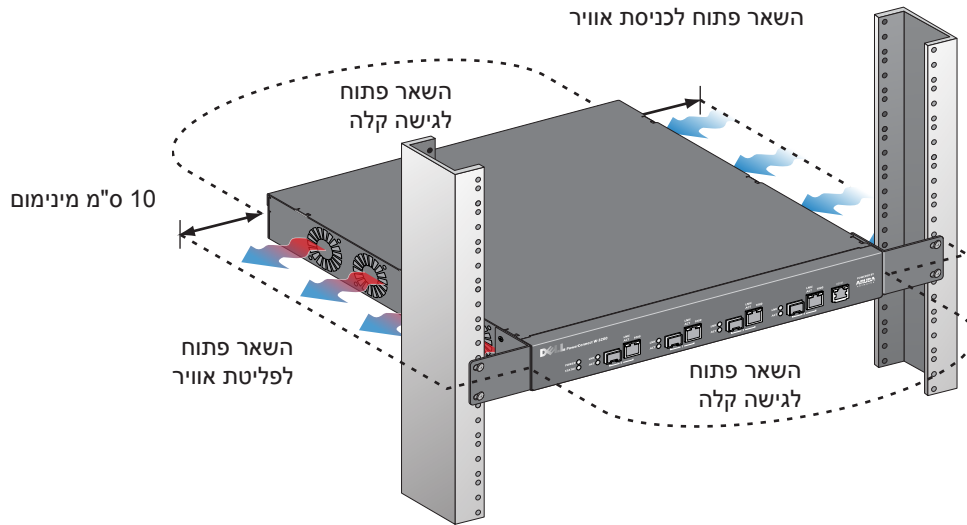


5. השאר רווח של 10 ס"מ לפחות בצד ימין ובצד שמאל של היחידה כדי לאפשר זרימת אוויר ואוורור נאותים (ראה את איור 3).

6. השאר מרווח נוסף בחזית ובחלק האחורי של היחידה כדי לגשת לכבלי חשמל, כבלי רשת, ונוריות מחווני מצב (ראה את איור 3).



### איור 3 דרישות לזרימת אוויר



7. חבר את כבל החשמל (ספציפי למדינה) לחלק האחורי של היחידה.
8. חבר את הקצה השני של כבל החשמל לשקע חשמל כדי לספק חשמל ליחידה.

## התקנה במעמד שרת

כדי להתקין את בקרי W-3000 Series במערכת מעמד שרת של 19 אינץ' (48.06 ס"מ):

הערה: ההוראות הבאות מתארות את התקנת הבקרי במעמד עם חורים מרובעים ללא תבריג. במעמד עם חורים עגולים ללא תבריג, השתמש במקום זאת באומים לברגים.



1. הנח את זווית ההרכבה במעמד על חורי ההרכבה בצד אחד של הבקר (ראה את איור 1).
2. הברג בעזרת מברג מתאים את הזווית לבקר עם שלושה בורגי ראש שטוח של פיליפס "6-32 x 1/4".
3. חזור על השלבים בצד השני של הבקר.
4. התקן את ארבעת האומים.
- א. התחל על-ידי הכנסת השפה התחתונה של האום על הפתח המרובע בחלק האחורי של המסילה.
- ב. הכנס את הקצה הקטן של כלי התקנת האומים דרך הפתח במסילה (מכיוון החזית), ומקם את הכלי מעל לשפה העליונה של האום.
- ג. דחף את האום פנימה לכיוון המסילה תוך כדי סיבוב הכלי מעלה ומשיכת הכלי לאחור לכיוון שלך עד אשר השפה העליונה של האום נכנסת למקומה בנקישה.
5. הרכב את הבקר במערכת המעמד של הארגון בעזרת בורגי ראש פיליפס M6 x 20 מ"מ ומברג מתאים.
6. השאר רווח של 10 ס"מ לפחות בצד ימין ובצד שמאל של היחידה כדי לאפשר זרימת אוויר ואוורור נאותים (ראה את איור 3).
7. השאר מרווח נוסף בחזית ובחלק האחורי של היחידה כדי לגשת לכבלי חשמל, כבלי רשת, ונוריות מחווני מצב (ראה את איור 3).
8. חבר את כבל החשמל (ספציפי למדינה) לחלק האחורי של היחידה.
9. חבר את הקצה השני של כבל החשמל לשקע חשמל כדי לספק חשמל ליחידה.

הערה: לבקרי W-3000 Series אין מתג הפעלה/כיבוי. שליטה בחשמל המסופק לבקר מתבצעת על-ידי חיבור (או ניתוק) תקע החשמל שעל הכבל לשקע חשמל.



## פריסה על שולחן

כדי לפרוס את בקרי W-3000 Series על משטח שטוח, דוגמת שולחן:

1. הכנס את ארבע רגליות הגומי בחלק התחתון של היחידה.
2. חבר את המסגרות על-ידי הכנסתן למקום בנקישה.
3. הנח את היחידה על משטח שטוח וקשה.

## הגדרה ראשונית וקישוריות רשת

בסיום ההתקנה הפיזית, הפעל את ההגדרה הראשונית על הבקרי כדי להגדיר כתובת IP ופרטים בסיסיים אחרים של המערכת. לקבלת הוראות ופרטים מלאים, עיין ב: *ArubaOS Quick Start Guide* לפרטים על גרסת התוכנה שמוותקנת בבקרי.

## הסרה

כדי להסיר את בקרי W-3000 Series ממערכת מעמד של 19 אינץ' (48.06 ס"מ):

1. נתק את אספקת החשמל לבקר על-ידי ניתוק כבל החשמל משקע החשמל.
2. נתק את כל הכבלים או ההתקנים האחרים שמחוברים לבקר.
3. שחרר את ארבעת בורגי המרכב שמחוברים את הבקר למערכת המעמד של הארגון.
4. הסר את הבקר ממערכת המעמד.

## מפרטים פיזיים

- ממדי ההתקן (ללא זוויות להרכבה במעמד) (עאראג):
  - כל הדגמים: 1.75x13.8x11.7 אינץ'
  - כל הדגמים: 44x351x297 מ"מ
- משקל ההתקן (עם זוויות להרכבה במעמד)
  - W-3200: 3.2 ק"ג
  - W-3400/ W-3600: 3.4 ק"ג
- ממדים בשיווק (עאראג):
  - כל הדגמים: 6.5x18.2x16.5 אינץ'
  - כל הדגמים: 165x462x419 מ"מ
- משקל בשיווק:
  - W-3200: 4.3 ק"ג
  - W-3400/ W-3600: 4.4 ק"ג

## מפרטי ניהול חשמל

### צריכת חשמל

- W-3200: W 35 מקסימום
- W-3400: W 45 מקסימום
- W-3600: W 60 מקסימום

### מפרטי חשמל (דרישות כניסת AC)

- W-3200:
  - מתח כניסת AC: ~ 90-264 V, כניסה אוניברסלית
  - זרם כניסת AC: A 1.5
  - תדר כניסת AC: 47-63 Hz
- W-3400/W-3600:
  - מתח כניסת AC: ~ 90-264 V, כניסה אוניברסלית
  - זרם כניסת AC: A 2.2
  - תדר כניסת AC: 47-63 Hz

## מפרטי תפעול

- טווח טמפרטורת הפעלה: 0 עד 40 מעלות צלזיוס
- טווח לחות הפעלה: 5% עד 95% לחות יחסית, ללא עיבוי

## מפּרטי אַחַסוֹן

- טווח טמפרטורת אחסון: 0 עד 50 מעלות צלזיוס
- טווח לחות אחסון: 5% עד 95% לחות יחסית, ללא עיבוי

## תאימות לבטיחות ולתקינה

Dell מספקת תיעוד בשפות מרובות המכיל הגבלות ספציפיות לארץ ומידע נוסף על בטיחות ותקינה עבור כל מוצר החומרה של Dell. המסמך Dell PowerConnect W-Series Safety, Environmental, and Regulatory Information כולל יחד עם מוצר זה.



---

זהירות: שימוש בבקורות או התאמות של ביצועים או הליכים השונים מאלה שמצוינים במדריך זה, עלולים לגרום לחשיפה לקרינה מסוכנת.

---



מוצר זה תואם ל: 21 CFR Chapter 1, Subchapter J, Part 1040.10, and IEC 60825-1: 1993, A1:1997, A2: 2001, IEC 60825-2: 2001.

כדי שההתאמה לתקני הלייזר לעיל תישמר, יש להתקין במוצרי Dell רק מודולים מאושרים מסוג Class 1 מהספקים המורשים שלנו.

### FCC Class A Device

התקן זה נבדק ונמצא תואם להגבלות התקן דיגיטלי Class A, בהמשך לחלק 15 של כללי ה-FCC. הגבלות אלה נועדו לספק הגנה סבירה כנגד הפרעות מזיקות כאשר הציוד מופעל בסביבה מסחרית. ציוד זה מפיק, משתמש ועשוי להקרין אנרגיה בתדירות רדיו, ולפיכך התקנה ושימוש בציוד זה שלא בהתאם למדריך ההוראות, עלולים לגרום להפרעות מזיקות לתקשורת רדיו. סביר שהפעלת ציוד זה באזור מגורים תגרום הפרעות מזיקות, ובמקרה זה על המשתמש לתקן את ההפרעה על חשבון.

### Industry Canada

מתקן דיגיטלי Class A זה תואם ל- ICES-003 הקנדי.

.Cet appareil numérique de la classe A est conforme à la norme NMB-003 du Canada

## מידע NOM (מקסיקו בלבד)

המידע הבא מסופק על ההתקן שמתואר במסמך זה והתאימות לדרישות של התקנים הרשמיים של מקסיקו (NOM):

יבואן: Dell Inc. de Mexico, S.A. de C.V.  
Paseo de la Reforma 2620-11° Piso  
Col. Lomas Atlas  
.11950 Mexico, D.F.

מספרי דגם: 3200

- מתח ספק כוח: 90-264 V AC
- תדירות 47-63 Hz
- צריכת זרם: 1.5 A

מספרי דגם: 3400/3600

- מתח ספק כוח: 90-264 V AC
- תדירות 47-63 Hz
- צריכת זרם: 2.2 A

## דרך נאותה להשלכת ציוד Dell

למידע המעודכן ביותר על תאימות סביבתית גלובלית ומוצרי Dell, ראה את אתר האינטרנט שלנו בכתובת [www.dell.com](http://www.dell.com).

## RoHS של האיחוד האירופי

מוצרי Aruba תואמים גם ל- EU Restriction of Hazardous Substances Directive 2002/95/ (RoHS) .EC (RoHS) מגביל את השימוש בחומרים מסוכנים מסוימים בייצור של ציוד חשמלי ואלקטרוני. באופן ספציפי, חומרים מסוכנים במסגרת הנחיית RoHS הם עופרת (כולל הלחמה ומרכבי מעגלים מודפסים), קדמיום, כספית, כרום (VI) וברום. חלק ממוצרי Dell כפופים לרשימת הפטור במסגרת RoHS Directive Annex 7 (הלחמת עופרת המשמשת במרכבי מעגלים מודפסים). מוצרים ומארחים יסומנו בתווית "RoHS" שמוצגת מימין המציינת התאמה להנחיה זו.

